

1 PARTIAL FIRST LEVEL LIGHTING DEMOLITION PLAN
 SCALE: 1/8" = 1'-0"
 SCALE: 0 4' 8' 16'

NOTES:

- ① POOL OVERHEAD LIGHTING SWITCH MOUNTED IN 12-POSITION SWITCH PANEL WITH LOW VOLTAGE WIRING TO LIGHTING CONTROL PANEL. DISCONNECT LOW VOLTAGE WIRING. ABANDON SWITCH AND RELAYS IN PLACE.
2. EXISTING CONDUIT MAY BE REUSED.
3. RECONNECT PANELBOARDS TO EXISTING FEEDER 2-1/2" C, 4#4/0.

WIRING

- Ⓝ JUNCTION BOX
 - CONDUIT CONCEALED IN CEILING OR WALL
 - HOT CONDUCTOR
 - NEUTRAL CONDUCTOR
 - GROUND CONDUCTOR
 - HOMERUN TO INDICATED DESTINATION
 - ~ FLEXIBLE CONDUIT CONNECTION
- NOTE: WIRING NOT SHOWN WHERE ONLY A HOT, NEUTRAL, AND GROUND ARE REQUIRED.

SWITCHING

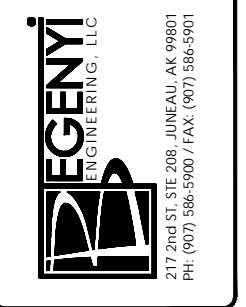
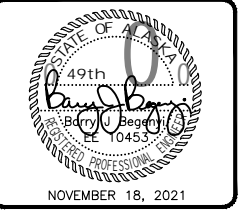
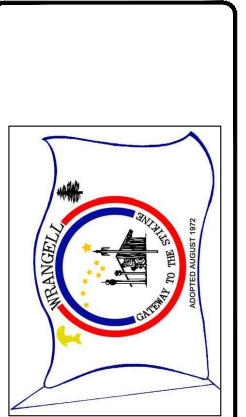
- SLV LOW VOLTAGE SWITCH
- D DIMMER SWITCH

DISTRIBUTION

- ▬ BRANCH CIRCUIT PANELBOARD

REFERENCE SYMBOLS

- ⑫ DRAWING NOTE REFERENCE
- ① E201 DETAIL REFERENCE
- (E) EXISTING
- (X) REMOVE
- (P) REPLACE



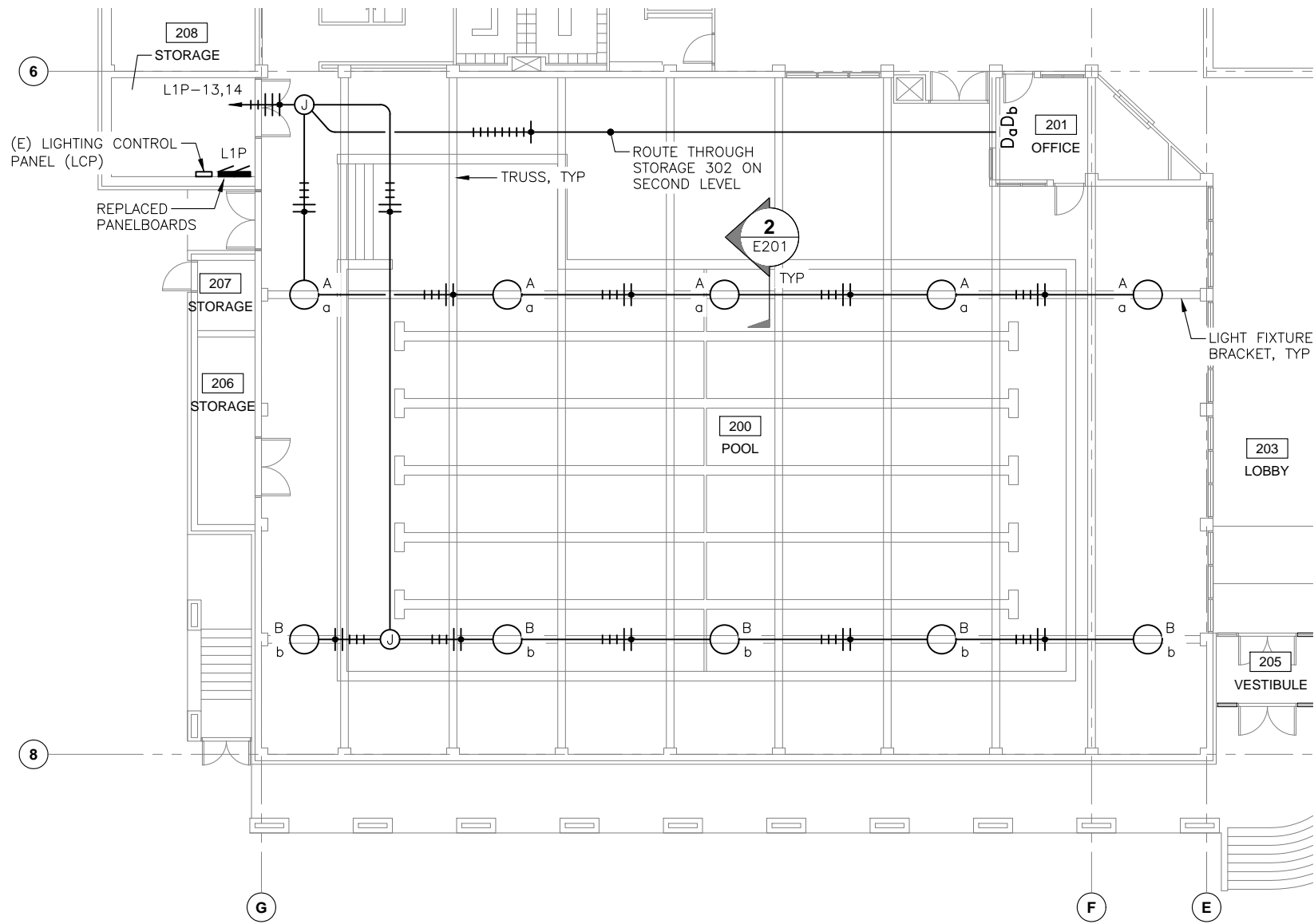
PROJECT
**CITY AND BOROUGH OF WRANGELL
 POOL LIGHTING REPLACEMENT**

DRAWING TITLE
**PARTIAL FIRST LEVEL
 LIGHTING DEMOLITION PLAN**

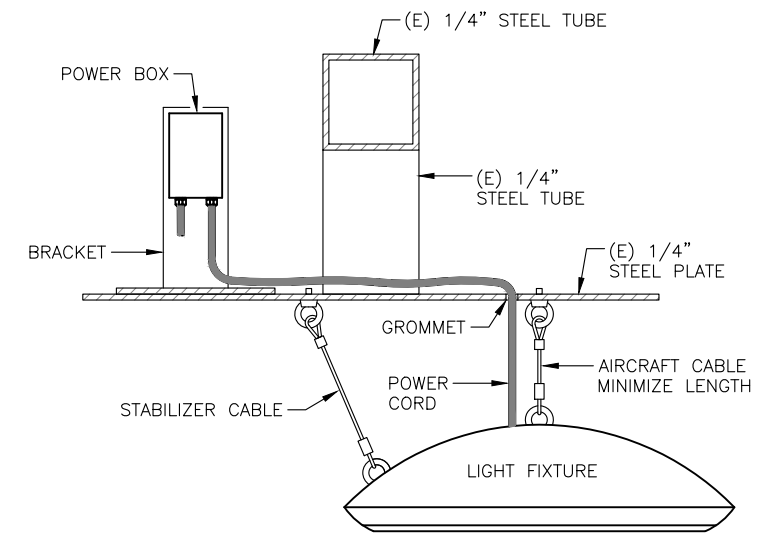
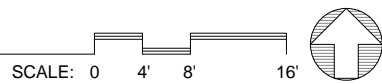
DESIGNED BY: BJB
 DRAWN BY: BJB
 CHECKED BY: BJB
 DATE: NOVEMBER 18, 2021

DRAWING NUMBER
E101

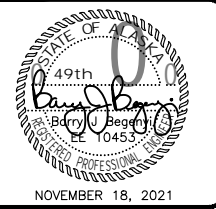
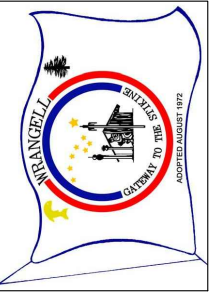
NUMBER	DATE	REVISION	BY
1	.	.	.
2	.	.	.
3	.	.	.



1 PARTIAL FIRST LEVEL LIGHTING PLAN
SCALE: 1/8" = 1'-0"



2 LIGHT FIXTURE MOUNTING DETAIL
SCALE: 3" = 1'-0"



PROJECT
CITY AND BOROUGH OF WRANGELL
POOL LIGHTING REPLACEMENT

DRAWING TITLE
PARTIAL FIRST LEVEL
LIGHTING PLAN

DESIGNED BY: BJB
DRAWN BY: BJB
CHECKED BY: BJB
DATE: NOVEMBER 18, 2021

NUMBER	DATE	REVISION	BY
1	.	.	.
2	.	.	.
3	.	.	.

DRAWING NUMBER

E201

LUMINAIRE SCHEDULE

TYPE	DESCRIPTION	MANUFACTURER	CATALOG NUMBER	LAMP		VOLTAGE	TOTAL VA	MOUNTING	NOTES
				QTY.	TYPE				
A	HIGH BAY LIGHT FIXTURE	METEOR LIGHTING	WS2 300 408 UNV STV 60 AD10 NAT		LED	120	300	STEEL PLATE	FINISH BY OWNER
B	HIGH BAY LIGHT FIXTURE	METEOR LIGHTING	WS2 120 408 UNV STV WD AD10 NAT		LED	120	120	STEEL PLATE	FINISH BY OWNER

PANEL L1P (SECTION 1)

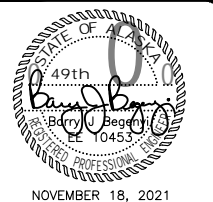
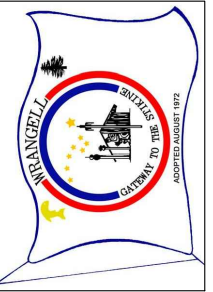
POLE NO.	LOAD SERVED	LOAD		CB	PH	CB	LOAD		LOAD SERVED	POLE NO.
		TYPE	KVA				TYPE	KVA		
1	LTG 228,235,238 (2)			20/1	A	20/1			ROOMS 230,233 (2)	2
3	LTG 228,235,238 (2)			20/1	B	20/1			ROOMS 230,233 (2)	4
5	LTG 228,235,238 (2)			20/1	C	20/1			SOFFIT AND POOL STORAGE (2)	6
7	LTG UP VALENCE (2)			20/1	A	20/1			DOWN VALENCE (2)	8
9	LTG UP VALENCE (2)			20/1	B	20/1			UP AND DOWN VALENCE (2)	10
11	LTG UP VALENCE (2)			20/1	C	20/1			LOWER DECK (2)	12
13	POOL LIGHTING - LOW SIDE (3)			20/1	A	20/1			POOL LIGHTING - HIGH SIDE (3)	14
15	SPARE			20/1	B	20/1			SPARE	16
17	SPARE			20/1	C	20/1			SPARE	18
19	POOL LIGHTS (2) (3)			20/1	A	20/1			SPARE	20
21	POOL LIGHTG (2) (3)			20/1	B	20/1			SPARE	22
23	POOL LIGHTS (2) (3)			20/1	C	20/1			POOL REC EAST WALL (2) (3)	24
25	RECEPTACLES (2) (3)			20/1	A	20/1			RECEPTACLES (2)	26
27	HEATER CHLORINE ROOM (2)			20/1	B	20/1			RECEPTACLES (2)	28
29	SPARE			20/1	C	20/1			CHLORINE DETECTOR (2)	30
31	TREADMILL FANS, POOL VACUUM (2)			20/2	A	20/1			LIGHTING (2)	32
33	-----			--	B	20/1			LIGHTING (2)	34
35	SPARE			20/1	C	20/1			LIGHT MONITOR (2)	36
37	SPARE			20/1	A	15/3			P-14 (2)	38
39	SPARE			20/1	B	--			-----	40
41	SPARE			20/1	C	--			-----	42

VOLTAGE:	120/208V, 3P, 4W	LOAD SUMMARY	CONNECTED LOAD (KVA)	DEMAND FACTOR	DEMAND KVA	NOTES:
AIC RATING:	10,000A	(L) LIGHTING	.	100% OF LOAD	.	1. PROVIDE SUBFEED LUGS
MOUNTING:	SURFACE	(R) RECEPTACLE	.	NEC 220-44	.	2. EXISTING LOAD
MAIN:	LUGS ONLY	(M) MOTOR	.	NEC 430-24	.	3. GFCI CIRCUIT BREAKER
BUS:	225A	(C) CONTINUOUS	.	125% OF LOAD	.	
		(N) NON-CONTINUOUS	.	100% OF LOAD	.	
		(K) KITCHEN	.	NEC 220-56	.	
		TOTAL	.		.	

PANEL L1P (SECTION 2)

POLE NO.	LOAD SERVED	LOAD		CB	PH	CB	LOAD		LOAD SERVED	POLE NO.
		TYPE	KVA				TYPE	KVA		
43	SPARE			20/1	A	20/1			SPARE	44
45	SPARE			20/1	B	20/1			SPARE	46
47	MERIDIAN PANEL (1) (2)			20/1	C	20/1			SPARE	48
49	SPARE			20/1	A	20/1			SPARE (2)	50
51	SPARE			20/1	B	20/1			SPARE	52
53	SPARE			20/1	C	20/1			SPARE	54
55	SPARE			20/1	A	20/1			SPARE	56
57	SPARE (2)			20/1	B	20/1			SPARE	58
59	RF-8 (1)			30/3	C	50/3			SF-6 (1)	60
61	-----			--	A	--			-----	62
63	-----			--	B	--			-----	64
65	SPACE				C	20/1			SPARE	66
67	SPACE				A	20/1			SPARE	68
69	SPACE				B	20/1			SPARE	70
71	SPACE				C	20/1			SPARE	72
73	SPACE				A	20/1			SPARE	74
75	SPACE				B	20/1			SPARE	76
77	SPACE				C	20/1			SPARE	78
79	SPACE				A	20/1			SPARE	80
81	SPACE				B	20/1			SPARE	82
83	SPACE				C	20/1			SPARE	84

VOLTAGE:	120/208V, 3P, 4W	LOAD SUMMARY	CONNECTED LOAD (KVA)	DEMAND FACTOR	DEMAND KVA	NOTES:
AIC RATING:	10,000A	(L) LIGHTING	.	100% OF LOAD	.	1. EXISTING LOAD
MOUNTING:	SURFACE	(R) RECEPTACLE	.	NEC 220-44	.	2. GFCI CIRCUIT BREAKER
MAIN:	LUGS ONLY	(M) MOTOR	.	NEC 430-24	.	
BUS:	225A	(C) CONTINUOUS	.	125% OF LOAD	.	
		(N) NON-CONTINUOUS	.	100% OF LOAD	.	
		(K) KITCHEN	.	NEC 220-56	.	
		TOTAL	.		.	



**CITY AND BOROUGH OF WRANGELL
POOL LIGHTING REPLACEMENT**

SCHEDULES

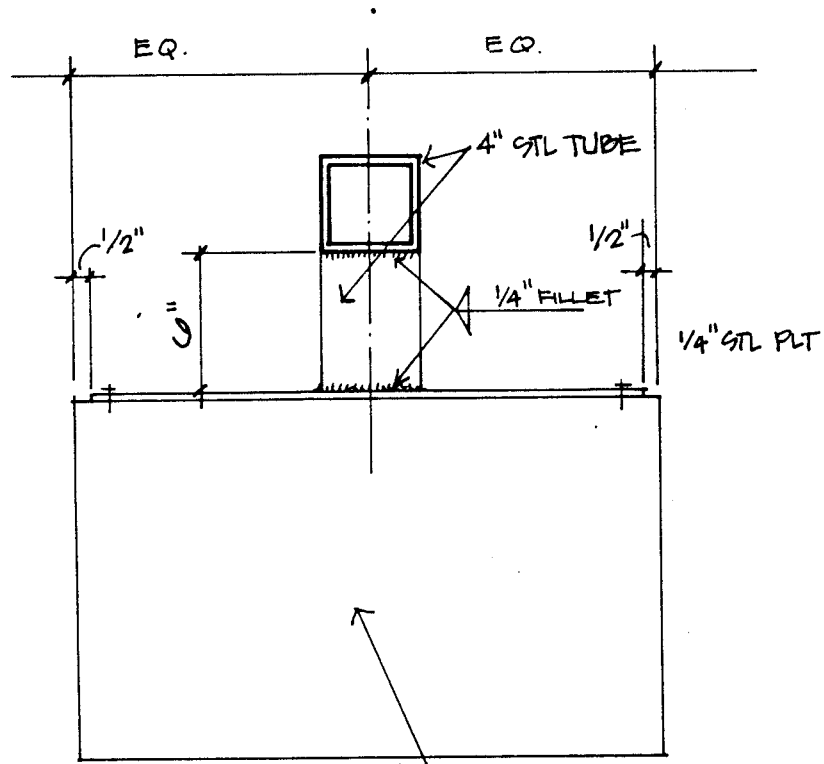
DESIGNED BY: BJB
 DRAWN BY: BJB
 CHECKED BY: BJB
 DATE: NOVEMBER 18, 2021

NUMBER	DATE	REVISION	BY
1	.	.	.
2	.	.	.
3	.	.	.

DRAWING NUMBER
E301

WALL @
 ND
 ELF
 EDGE
 S @ 2'-0" O.C.
 ERIAL P. LAM.
 1/4" PLY.

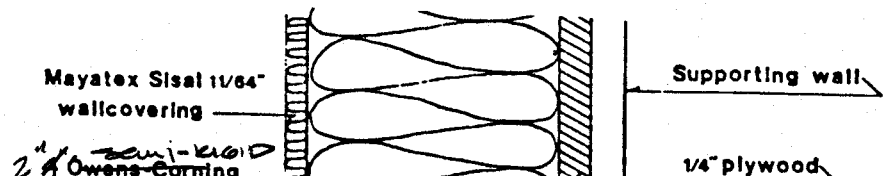
SCRIBE BEYOND
 MATCH WALLS



LIGHT FIXTURE - BOLT TO
 1/4" STL PLT - VERIFY SIZE &
 LOCATION OF BOLT HOLES

27

Pool Light Fixtures



ADVANCED HIGH CEILING

Whiz 2.0 - Outdoor/Natatorium Rating



High lumen compact luminaire with lumen output 12400 – 35400lm. Additional features include IP65 and outdoor/natatorium rating.

Quantity		Type	
Project		Note	

Electrical System

- 13900lm (120W)
- 19600lm (170W)
- 26700lm (240W)
- 35400lm (300W)
- Power Input: Universal (120-277V); 347-480V
- Operating Temperature: -40°F~112°F
- Surge Protection: 4KV

LED Technology

- 3000K, 3500K, 4000K , 5000K
- 75 CRI, 85 CRI
- Beam Angle: 25°, 40°, 60° and 100° (with diffuser)
- Rated Life > 100,000 hours (L70)
- Lumen Maintenance > 0.90 at 60,000 hours

Advanced Dimming

(Proprietary VX Driver is incorporated to all dimming options for video flicker-free lighting)

- **Standard 0-10V:** dims to 10%

Housing

- Diameter: 16.24" (420mm)
- Material: Die-Cast Aluminum, Tempered Glass
- Weight: 33lbs

Mounting

- Stem 2ft, 4ft
- Adjustable Aircraft Cable 10ft
- Uplight 2ft, 4ft
- Adjustable Uplight 2ft, 4ft

Warranty

- 5 years limited warranty.

Listing

- ETL Wet Location Listed
- DLC Listed
- IP65



Not all Whiz 2.0 are DLC qualified. For all qualified products. Please visit: www.designlights.org/qpl

Whiz 2.0 - Outdoor/Natatorium Rating



How To Specify:

Ordering Example: WS2-240-507-UNV-STV-60-BLK-ST2-NAT

WS2 300 408 UNV STV 60 BLK NAT

Model	Wattage	CCT / CRI	Voltage	Dimming
WS2				
WS2 Whiz 2.0 Series	120 120W 170 170W 240 240W 300 300W	507 5000K / CRI75 308 3000K / CRI85 358 3500K / CRI85 408 4000K / CRI85	UNV 120-277V HVT 347-480V	NOD Non-Dimming STV Standard 0-10V dims to 10%

Beam Angle	Finish	Mounting	Accessories	Rating
25 25° 40 40° 60 60° WD* 100° (with diffuser)	BLK Black WHT White	ST2 Stem 2ft ST4 Stem 4ft AD10 Adjustable Cable 10ft UP2 Uplight Stem 2ft UP4 Uplight Stem 4ft AUP2 Adjustable Uplight 2ft AUP4 Adjustable Uplight 4ft	DF¹ Diffuser WG² Wire Guard SNT³ Snoot GSV⁴ Glare Shield Visor	OUT¹ Outdoor Rating NAT² Natatorium Rating

*Please factor in change in lumen output with diffuser (-20% with WD; -12% with other degrees).

¹ Please factor in change in lumen output with diffuser (-20% with WD; -12% with other degrees).

² Please factor in change in lumen output of -14%.

³ Please factor in change in lumen output of -30%.

⁴ Please factor in change in lumen output of -25%.

¹ Outdoor rating: Coating and wiring will be changed to high UV resistant and corrosion resistant materials for long term operation in outdoor environments.

² Natatorium rating: Coating and sealant will be changed to high corrosion resistant materials to prevent damage from long term exposure to chlorine vapors.

DesignLights Consortium™ Qualified Luminaires:

DLC QPL Model Number : WS2-300-408

Not all product variations listed on this page are DLC qualified.

To ensure that a specific model is qualified, visit www.designlights.org/search.

Whiz 2.0 - Outdoor/Natatorium Rating



Delivered Lumens*

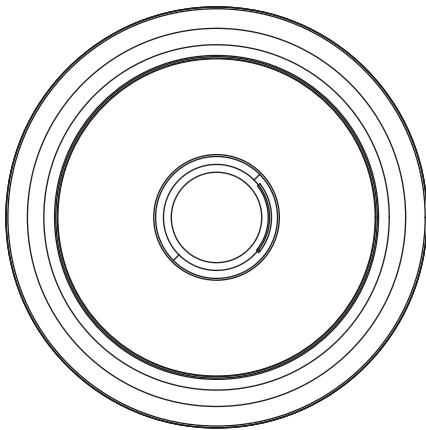
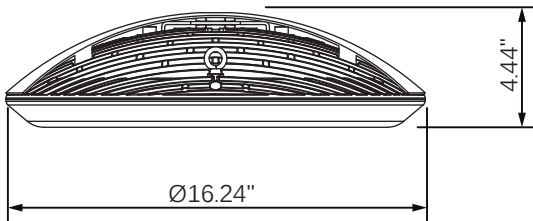
*Tolerance ±8%

Wattage	120W	170W	240W	300W
Beam Angle: 40°				
CCT				
5000K	13900 lm	19600 lm	26700 lm	35400 lm
4000K	13300 lm	18900 lm	22100 lm	29700 lm
3500K	12500 lm	17700 lm	21400 lm	28800 lm
3000K	12400 lm	17510 lm	21200 lm	28500 lm

Current Consumption

Wattage	120V	277V
120W	1.1A	0.48A
170W	1.56A	0.68A
240W	2.02A	0.87A
300W	2.75A	1.19A

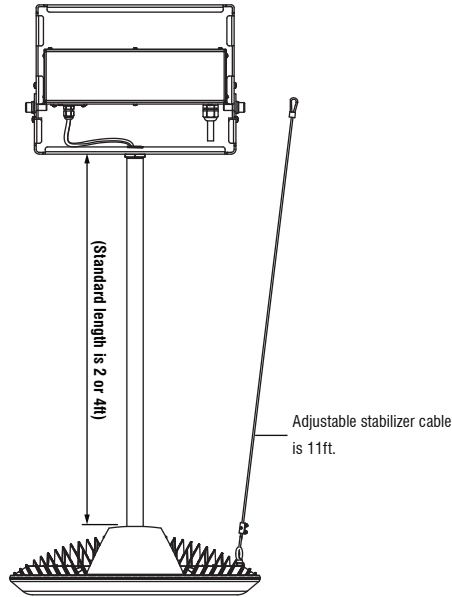
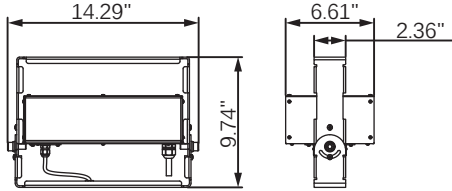
Dimensions



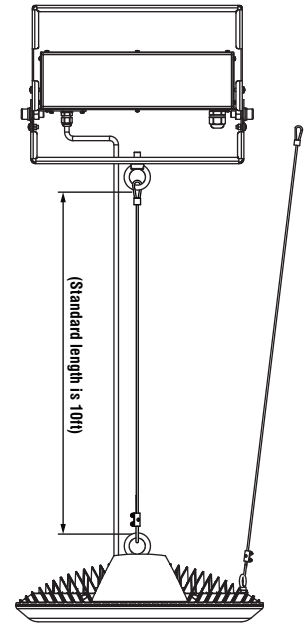
Whiz 2.0 - Outdoor/Natatorium Rating



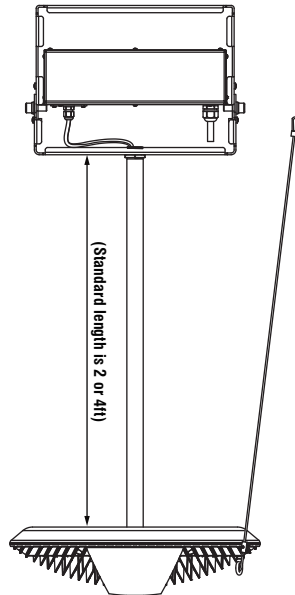
Mounting Options



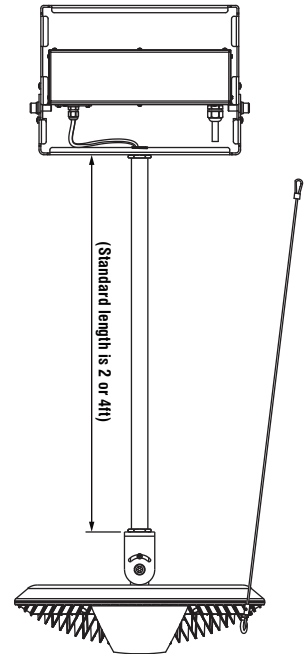
Stem



Adjustable Aircraft Cable

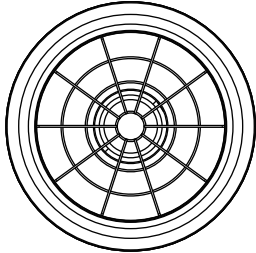


Uplight



Adjustable Uplight

Accessory



Wire Guard