

# WRANGELL HIGH SCHOOL

*Copy*

For The

*Do Not Remove*

## Wrangell City School District

**ACKLEY/JENSEN ARCHITECTS, INC.**

STRUCTURAL ENGINEER

**RICHARD ZAGARS**

MECHANICAL ENGINEER

**VERNON AKIN and ASSOCIATES**

ELECTRICAL ENGINEER

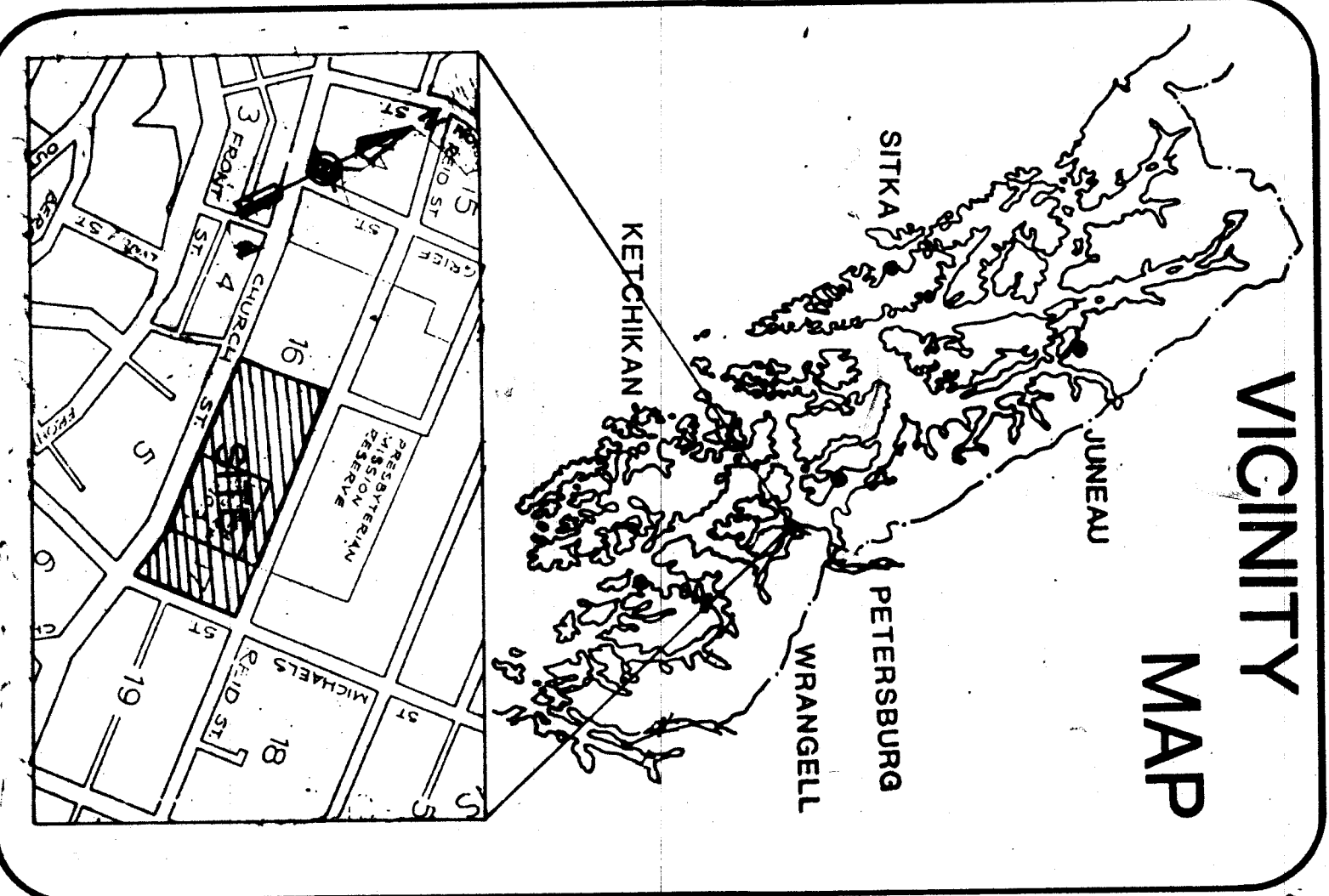
**LEONARD LOWELL and ASSOCIATES**

**PHASE I**

### CODE DATA

- WRANGELL HIGH SCHOOL - PHASE I
- DESIGN CRITERIA
- UNIFORM BUILDING CODE 1982 EDITION
  - Occupancy Group: E-1
  - Type of Construction: Type E-1, masonry frame
  - Location on Property: Building to adjacent property line. East: 55' from building to adjacent property line. South: 10' to adjacent property line. West: 10' to existing building after completion of Phase I.
  - Floor Area: 15,700 sq. ft./Floor
  - Attainable Area: 15,700 sq. ft./Floor
  - Attainable Area Increases: 37.5% = 15,700 = 21,588 sq. ft.
  - TOTAL AREA: 43,175 sq. ft.
  - Actual Area: 14,450 sq. ft.
  - Number of Stories: 29,314 sq. ft.
  - TOTAL AREA: 29,314 sq. ft.
  - Building Height: 29 Feet
  - Attainable: 29 Feet
  - Actual: 29 Feet

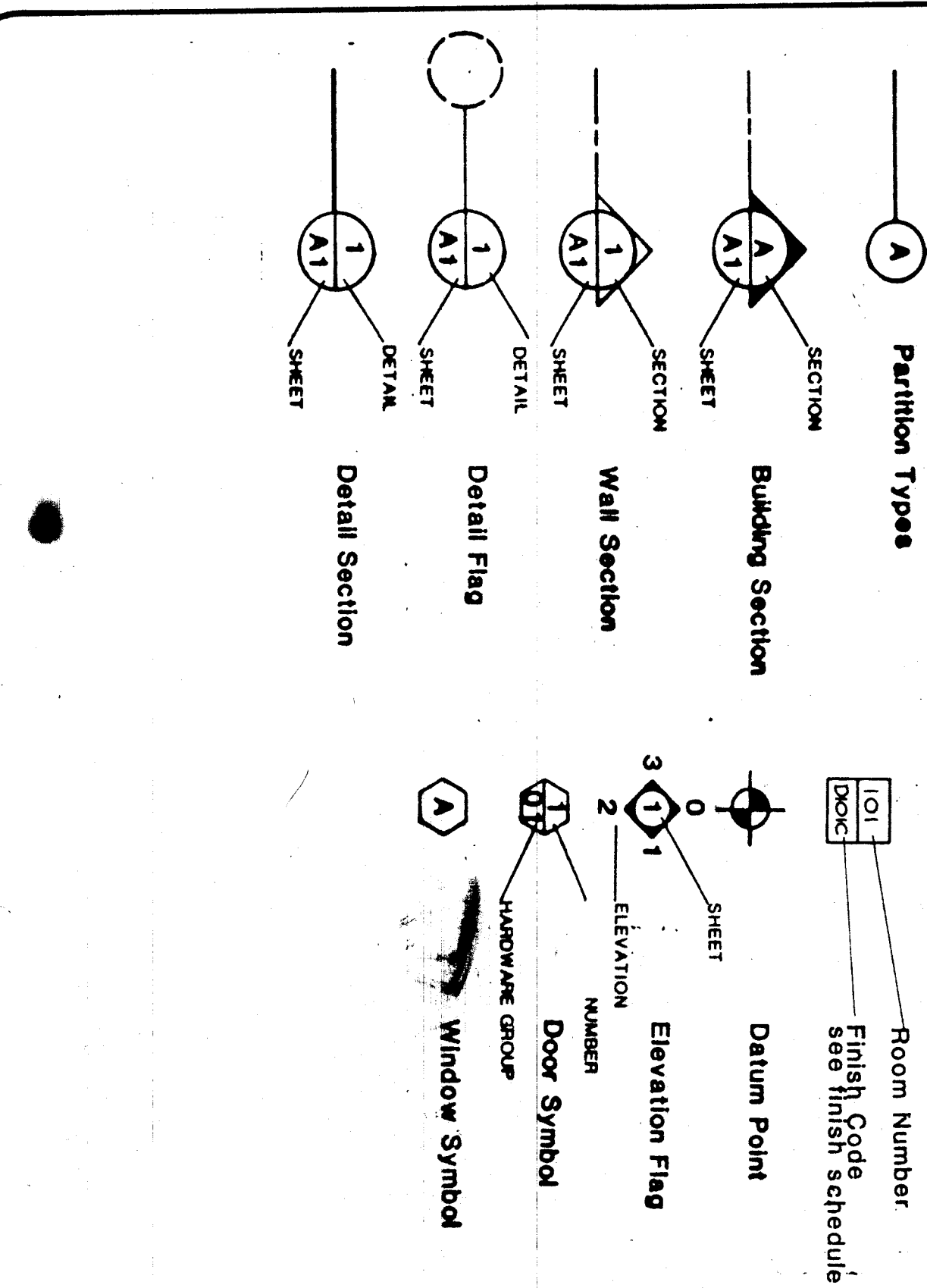
- Requirements based on occupancy
1. UBC 801-2(1): Storage and janitor closets 1 hour fire-resistive
  2. NBC 801-2(1): Laboratory areas separated from other portions of the building by a 1 hour fire-resistive occupancy separation.
1. WPA 101 "Life Safety Code"
  - 1982 Uniform Mechanical Code
  - 1982 Uniform Plumbing Code
  - 1981 National Electrical Code
  - 1980 MSJ A117.1 with State Amendments
  - 1982 Uniform Fire Code, amended by 1980 supplements
  - City of Wrangell - local modifications
  - Wind Load - 50 psf
  - Wind Load - 50 psf



### ABBREVIATIONS

Abbreviation	Meaning	Abbreviation	Meaning
AC	Architect	ME	Mechanical Engineer
AE	Architectural Engineer	SE	Structural Engineer
CE	Civil Engineer	EE	Electrical Engineer
EE	Electrical Engineer	PE	Professional Engineer
ME	Mechanical Engineer	PL	Plumber
SE	Structural Engineer	SM	Structural Mason
CE	Civil Engineer	SW	Surveyor
PE	Professional Engineer	TE	Technical Engineer
PL	Plumber	TR	Trainer
SM	Structural Mason	VE	Vertical Engineer
SW	Surveyor	WE	Water Engineer
TE	Technical Engineer	WE	Water Engineer
TR	Trainer	WE	Water Engineer
VE	Vertical Engineer	WE	Water Engineer
WE	Water Engineer	WE	Water Engineer

### SYMBOL LEGEND

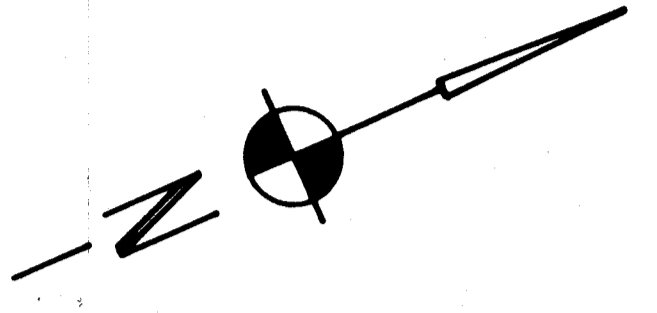


### DRAWING INDEX

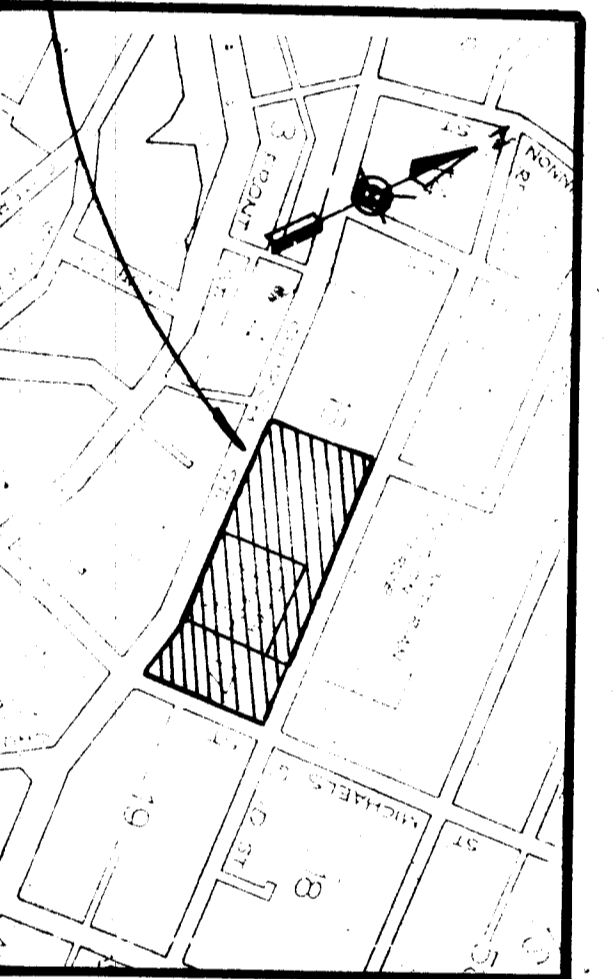
A1.1	Survey, Preparation & Demolition Plan	E-1	Site Lighting
A1.2	Site Grading and Drainage	E-2	First Floor Power
A1.3	Site Plan for Utility	E-3	Second Floor Lighting
A1.4	Site Plan for Utility	E-4	Equipment Schedule
A1.5	Site Details	E-5	
A1.6	Site Details	E-6	
A1.7	Foundation Plan, Room Finish and Door Schedule, Door Types		
A1.8	Second Floor Plan, Room Finish and Door Schedule		
A1.9	Basement Plan, Room Finish and Door Schedule		
A1.10	Basement Plan, Room Finish and Door Schedule		
A1.11	Basement Plan, Room Finish and Door Schedule		
A1.12	Basement Plan, Room Finish and Door Schedule		
A1.13	Basement Plan, Room Finish and Door Schedule		
A1.14	Basement Plan, Room Finish and Door Schedule		
A1.15	Basement Plan, Room Finish and Door Schedule		
A1.16	Basement Plan, Room Finish and Door Schedule		
A1.17	Basement Plan, Room Finish and Door Schedule		
A1.18	Basement Plan, Room Finish and Door Schedule		
A1.19	Basement Plan, Room Finish and Door Schedule		
A1.20	Basement Plan, Room Finish and Door Schedule		
A1.21	Basement Plan, Room Finish and Door Schedule		
A1.22	Basement Plan, Room Finish and Door Schedule		
A1.23	Basement Plan, Room Finish and Door Schedule		
A1.24	Basement Plan, Room Finish and Door Schedule		
A1.25	Basement Plan, Room Finish and Door Schedule		
A1.26	Basement Plan, Room Finish and Door Schedule		
A1.27	Basement Plan, Room Finish and Door Schedule		
A1.28	Basement Plan, Room Finish and Door Schedule		
A1.29	Basement Plan, Room Finish and Door Schedule		
A1.30	Basement Plan, Room Finish and Door Schedule		
A1.31	Basement Plan, Room Finish and Door Schedule		
A1.32	Basement Plan, Room Finish and Door Schedule		
A1.33	Basement Plan, Room Finish and Door Schedule		
A1.34	Basement Plan, Room Finish and Door Schedule		
A1.35	Basement Plan, Room Finish and Door Schedule		
A1.36	Basement Plan, Room Finish and Door Schedule		
A1.37	Basement Plan, Room Finish and Door Schedule		
A1.38	Basement Plan, Room Finish and Door Schedule		
A1.39	Basement Plan, Room Finish and Door Schedule		
A1.40	Basement Plan, Room Finish and Door Schedule		
A1.41	Basement Plan, Room Finish and Door Schedule		
A1.42	Basement Plan, Room Finish and Door Schedule		
A1.43	Basement Plan, Room Finish and Door Schedule		
A1.44	Basement Plan, Room Finish and Door Schedule		
A1.45	Basement Plan, Room Finish and Door Schedule		
A1.46	Basement Plan, Room Finish and Door Schedule		
A1.47	Basement Plan, Room Finish and Door Schedule		
A1.48	Basement Plan, Room Finish and Door Schedule		
A1.49	Basement Plan, Room Finish and Door Schedule		
A1.50	Basement Plan, Room Finish and Door Schedule		
A1.51	Basement Plan, Room Finish and Door Schedule		
A1.52	Basement Plan, Room Finish and Door Schedule		
A1.53	Basement Plan, Room Finish and Door Schedule		
A1.54	Basement Plan, Room Finish and Door Schedule		
A1.55	Basement Plan, Room Finish and Door Schedule		
A1.56	Basement Plan, Room Finish and Door Schedule		
A1.57	Basement Plan, Room Finish and Door Schedule		
A1.58	Basement Plan, Room Finish and Door Schedule		
A1.59	Basement Plan, Room Finish and Door Schedule		
A1.60	Basement Plan, Room Finish and Door Schedule		
A1.61	Basement Plan, Room Finish and Door Schedule		
A1.62	Basement Plan, Room Finish and Door Schedule		
A1.63	Basement Plan, Room Finish and Door Schedule		
A1.64	Basement Plan, Room Finish and Door Schedule		
A1.65	Basement Plan, Room Finish and Door Schedule		
A1.66	Basement Plan, Room Finish and Door Schedule		
A1.67	Basement Plan, Room Finish and Door Schedule		
A1.68	Basement Plan, Room Finish and Door Schedule		
A1.69	Basement Plan, Room Finish and Door Schedule		
A1.70	Basement Plan, Room Finish and Door Schedule		
A1.71	Basement Plan, Room Finish and Door Schedule		
A1.72	Basement Plan, Room Finish and Door Schedule		
A1.73	Basement Plan, Room Finish and Door Schedule		
A1.74	Basement Plan, Room Finish and Door Schedule		
A1.75	Basement Plan, Room Finish and Door Schedule		
A1.76	Basement Plan, Room Finish and Door Schedule		
A1.77	Basement Plan, Room Finish and Door Schedule		
A1.78	Basement Plan, Room Finish and Door Schedule		
A1.79	Basement Plan, Room Finish and Door Schedule		
A1.80	Basement Plan, Room Finish and Door Schedule		
A1.81	Basement Plan, Room Finish and Door Schedule		
A1.82	Basement Plan, Room Finish and Door Schedule		
A1.83	Basement Plan, Room Finish and Door Schedule		
A1.84	Basement Plan, Room Finish and Door Schedule		
A1.85	Basement Plan, Room Finish and Door Schedule		
A1.86	Basement Plan, Room Finish and Door Schedule		
A1.87	Basement Plan, Room Finish and Door Schedule		
A1.88	Basement Plan, Room Finish and Door Schedule		
A1.89	Basement Plan, Room Finish and Door Schedule		
A1.90	Basement Plan, Room Finish and Door Schedule		
A1.91	Basement Plan, Room Finish and Door Schedule		
A1.92	Basement Plan, Room Finish and Door Schedule		
A1.93	Basement Plan, Room Finish and Door Schedule		
A1.94	Basement Plan, Room Finish and Door Schedule		
A1.95	Basement Plan, Room Finish and Door Schedule		
A1.96	Basement Plan, Room Finish and Door Schedule		
A1.97	Basement Plan, Room Finish and Door Schedule		
A1.98	Basement Plan, Room Finish and Door Schedule		
A1.99	Basement Plan, Room Finish and Door Schedule		
A1.100	Basement Plan, Room Finish and Door Schedule		

June 15, 1984





PROJECT LOCATION



SITE MAP

GENERAL NOTE:  
GRADE AND TOPOGRAPHY TO BE REMOVED  
ARE LOCATIONS OF THE HIGH SCHOOL  
AND VARIOUS WELLS AND CISTERNS TO BE  
REMOVED OR TO BE REMOVED UNDER  
OTHER DETAILS ARE CORRECT.

Table with 4 columns: SOIL DESCRIPTION, BORING NUMBER, DATE COMPLETED, and SOIL SAMPLE NO. Entry: BORING NUMBER 1, Date: 11/29/83, Soil: TOP ELEVATION: 229.1, Description: LOOSE TO MEDIUM GRAIN, SILTY TO...

Table with 4 columns: SOIL DESCRIPTION, BORING NUMBER, DATE COMPLETED, and SOIL SAMPLE NO. Entry: BORING NUMBER 2, Date: 11/29/83, Soil: TOP ELEVATION: 219.1, Description: LOOSE TO MEDIUM GRAIN, BROWN, SILTY SAND WITH...

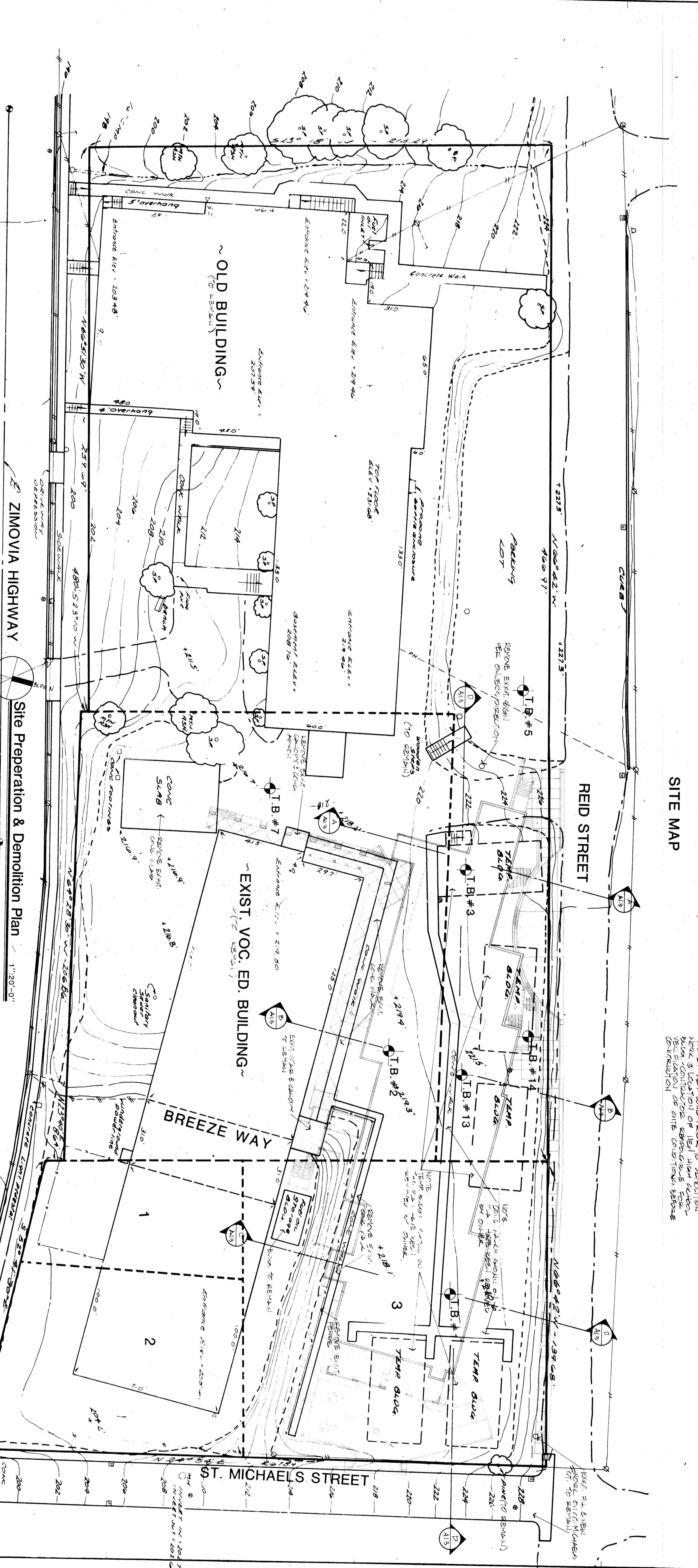
Table with 4 columns: SOIL DESCRIPTION, BORING NUMBER, DATE COMPLETED, and SOIL SAMPLE NO. Entry: BORING NUMBER 3, Date: 11/29/83, Soil: TOP ELEVATION: 219.1, Description: LOOSE, MOIST, SILTY SAND WITH WOOD...

Table with 4 columns: SOIL DESCRIPTION, BORING NUMBER, DATE COMPLETED, and SOIL SAMPLE NO. Entry: BORING NUMBER 5, Date: 11/29/83, Soil: TOP ELEVATION: 221.5, Description: MEDIUM DENSE, SAND, STRATIFIED...

Table with 4 columns: SOIL DESCRIPTION, BORING NUMBER, DATE COMPLETED, and SOIL SAMPLE NO. Entry: BORING NUMBER 7, Date: 11/10/83, Soil: TOP ELEVATION: 217.1, Description: LOOSE, GRANULY SAND WITH TRACE...

Table with 4 columns: SOIL DESCRIPTION, BORING NUMBER, DATE COMPLETED, and SOIL SAMPLE NO. Entry: BORING NUMBER 13, Date: 11/11/83, Soil: TOP ELEVATION: 221.1, Description: LOOSE, GRANULY SAND WITH TRACE...

Table with 4 columns: SOIL DESCRIPTION, BORING NUMBER, DATE COMPLETED, and SOIL SAMPLE NO. Entry: BORING NUMBER 14, Date: 11/11/83, Soil: TOP ELEVATION: 221.1, Description: LOOSE, SILTY SAND WITH...



ZIMOVIA HIGHWAY

Site Preparation & Demolition Plan

1"=20'-0"

Best Design Done by E.H. Construction, Inc.  
Jensen &  
Architects Inc.  
Architects  
AND HAVE NOT BEEN CHECKED BY REGISTERED  
METHODS

jackley jensen architects inc.  
p.o. box 310, Juneau, Alaska, 99801

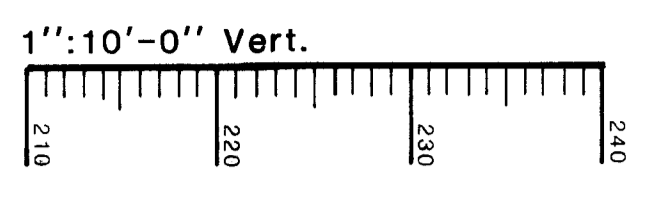
I HEREBY CERTIFY THAT I AM PROPERLY REGISTERED  
REGISTERED LAND SURVEYOR  
DATE: 7/19/83 REGISTRATION NO.: 3337-S

Proposed By: Engineering Services  
Title: Site Preparation & Demolition Plan  
Drawn By: [Signature]

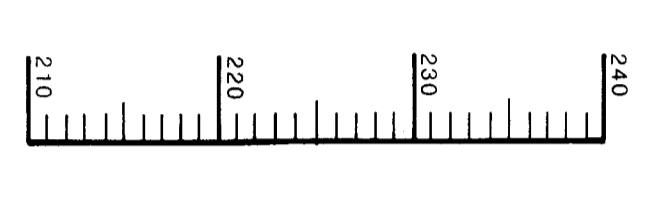
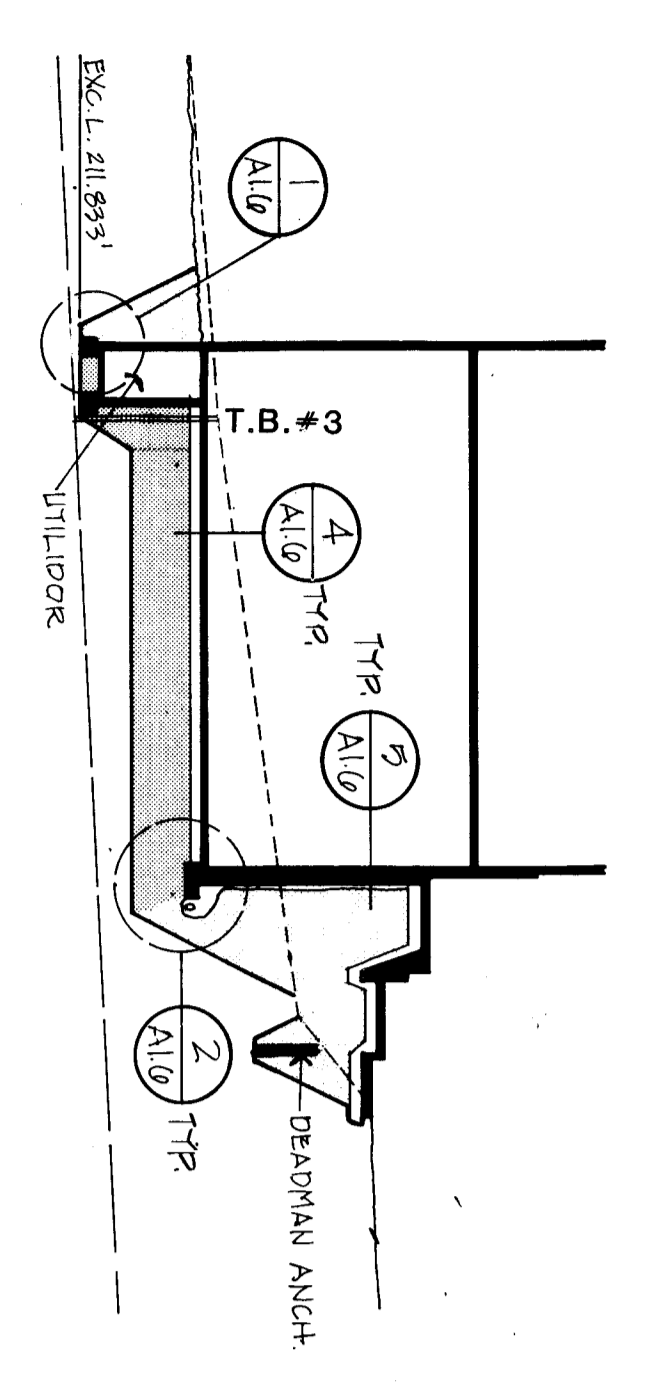
W. RANSELL  
HIGH SCHOOL

JOB NO.: 349  
DRAWN BY: [Signature]  
TITLE: Site Preparation & Demolition Plan  
SHEET NO.:

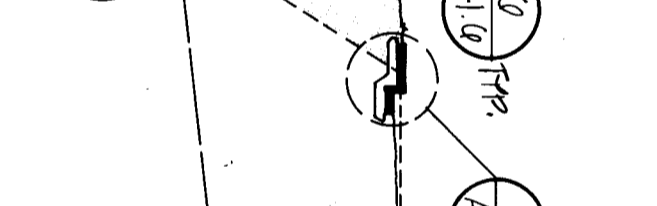
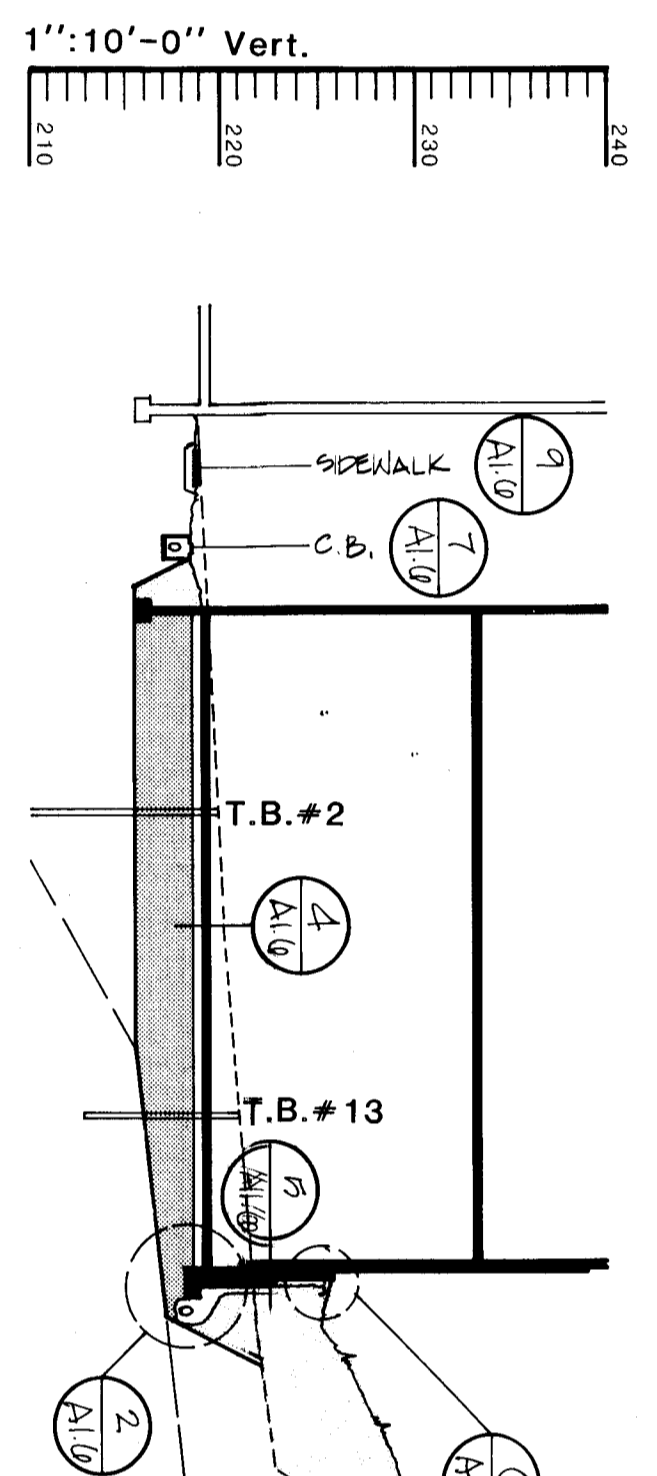
A1.2  
DATE: June 15, 1984



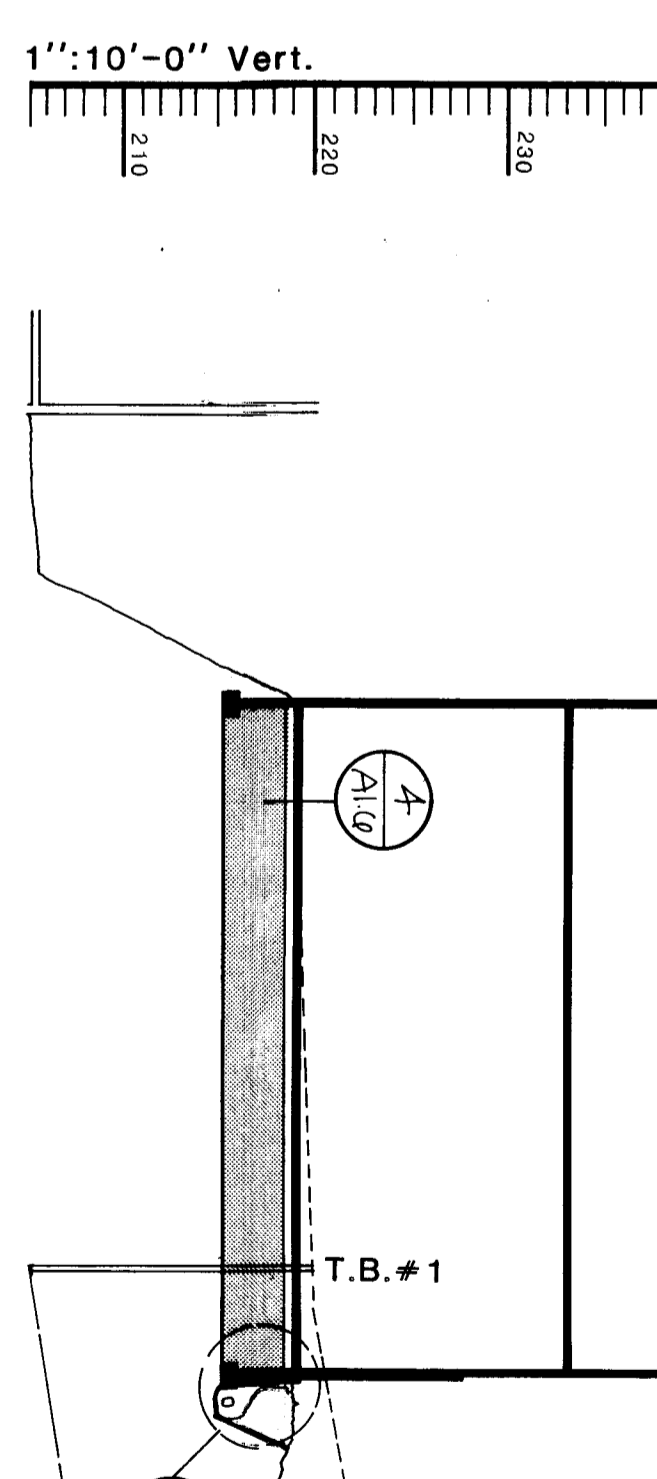
**A** Site Section  
1"=20'-0" Hor.



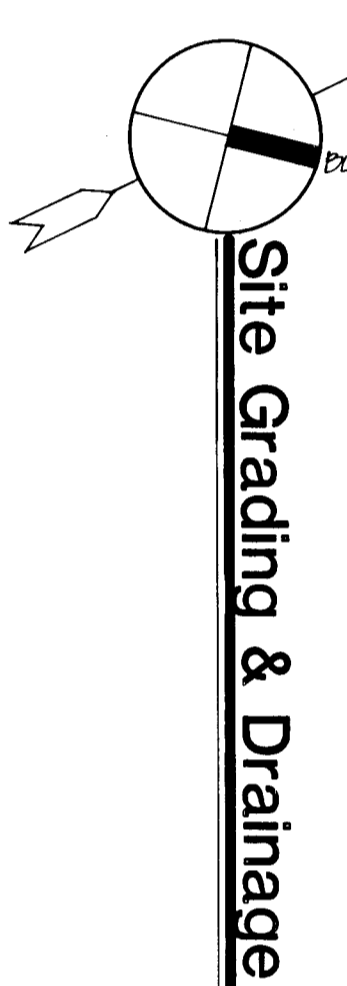
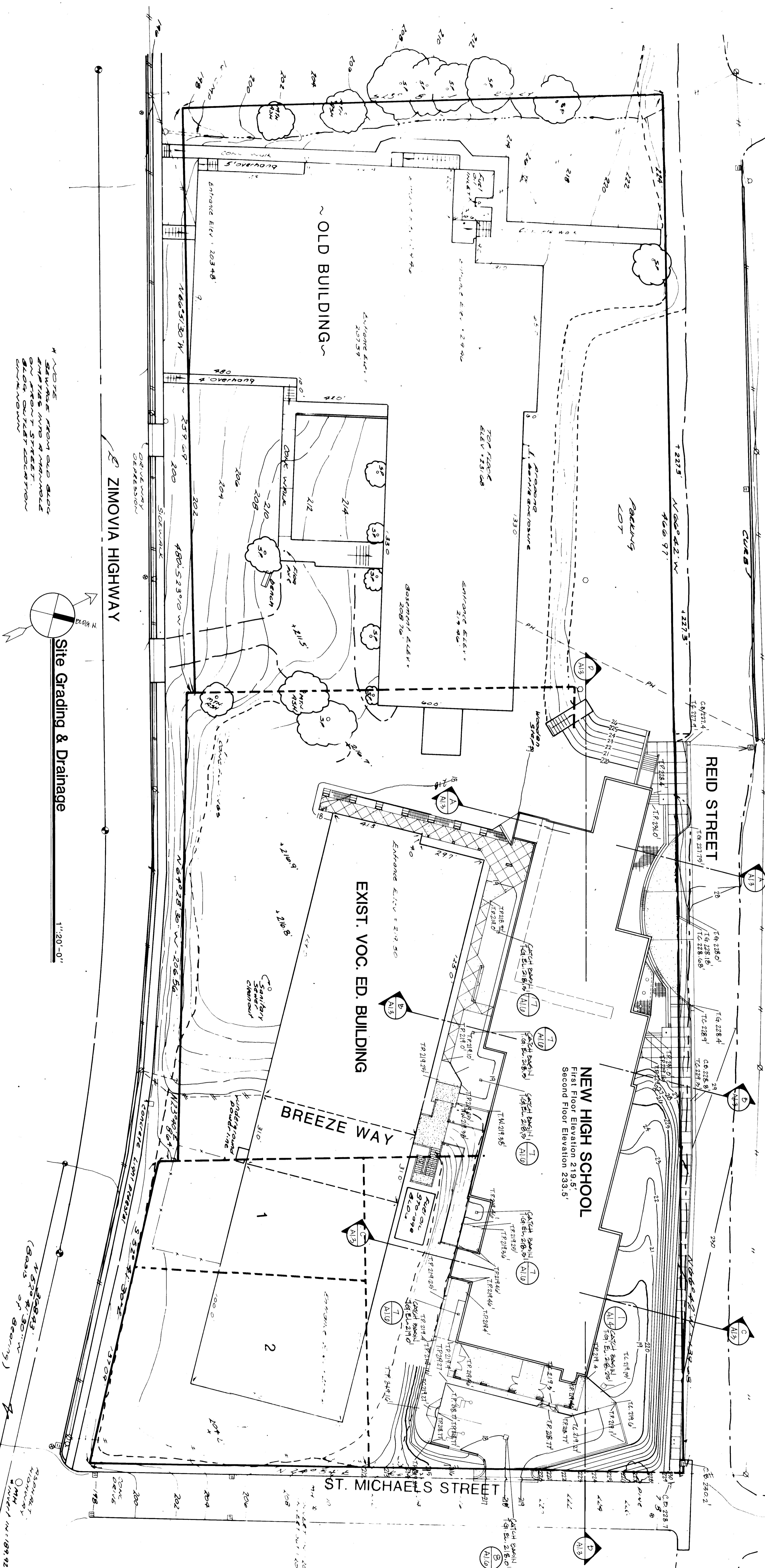
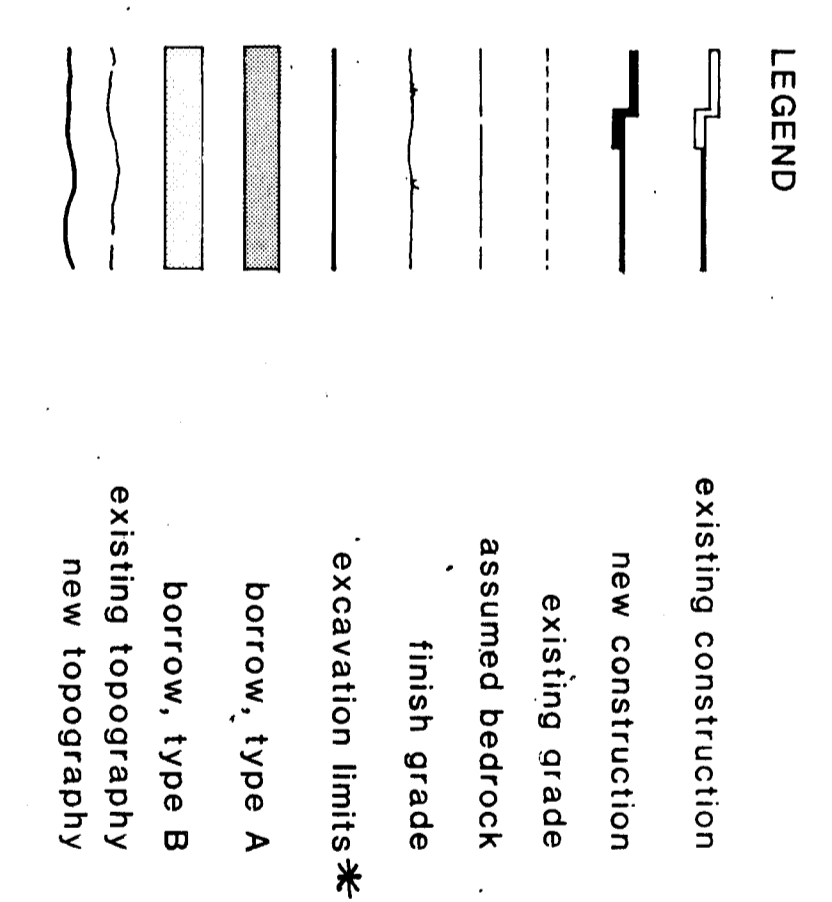
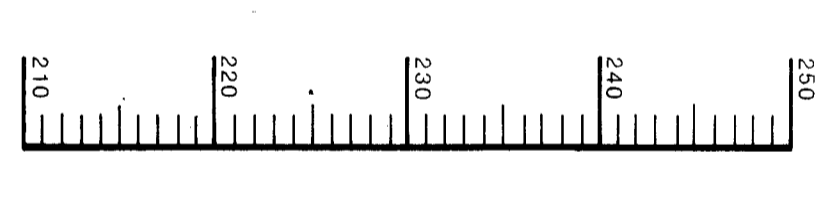
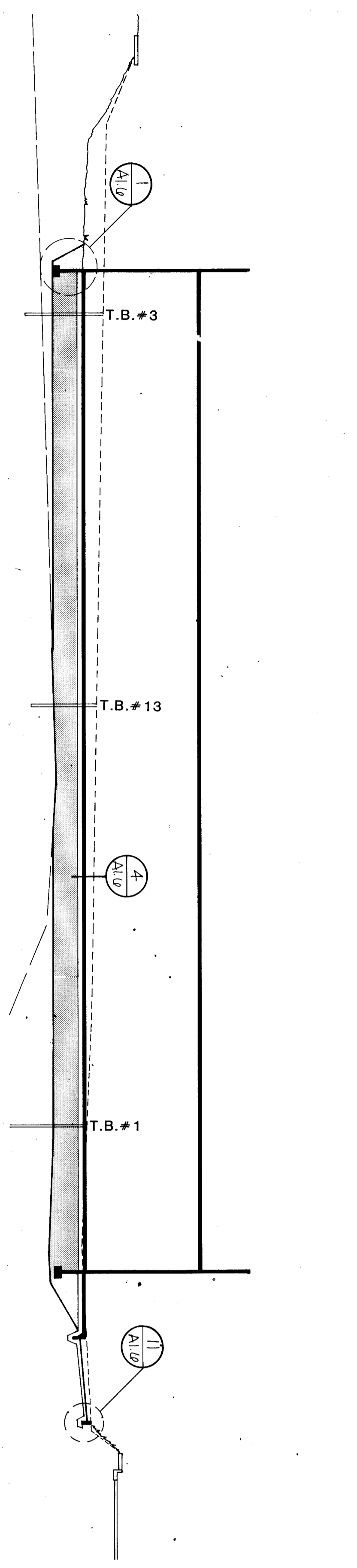
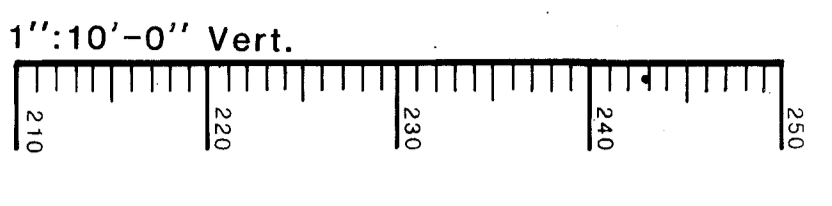
**B** Site Section  
1"=20'-0" Hor.



**C** Site Section  
1"=20'-0" Hor.



**D** Site Section  
1"=20'-0" Hor.



Site Grading & Drainage  
1"=20'-0"

**ackley  
jensen**  
architects inc  
P.O. box 310, Juneau Alaska, 99801

NOTE:  
EXCAVATE TO ELEVATION 215.5' OR  
4'-0" BELOW EXISTING GRADE  
WHICHEVER IS DEEPER, EXCEPT  
EXCAVATIONS NEED NOT EXTEND  
BELOW TOP OF FIRM BEDROCK.  
UNLESS NOTED OTHERWISE

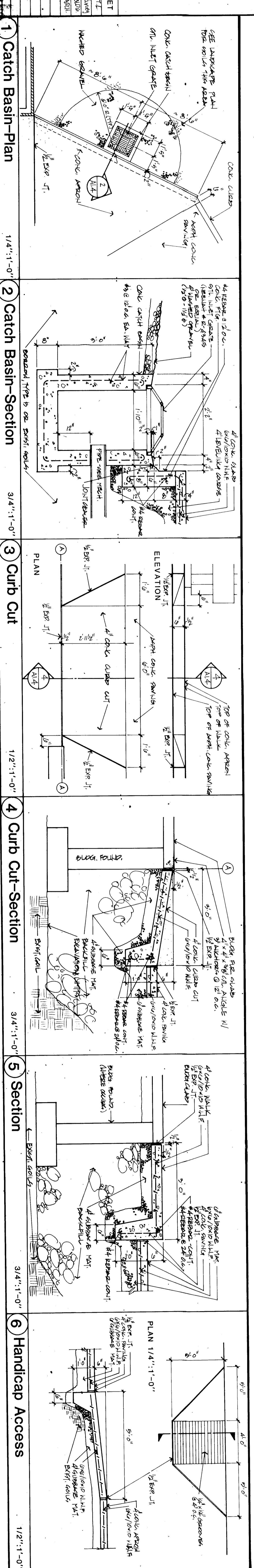
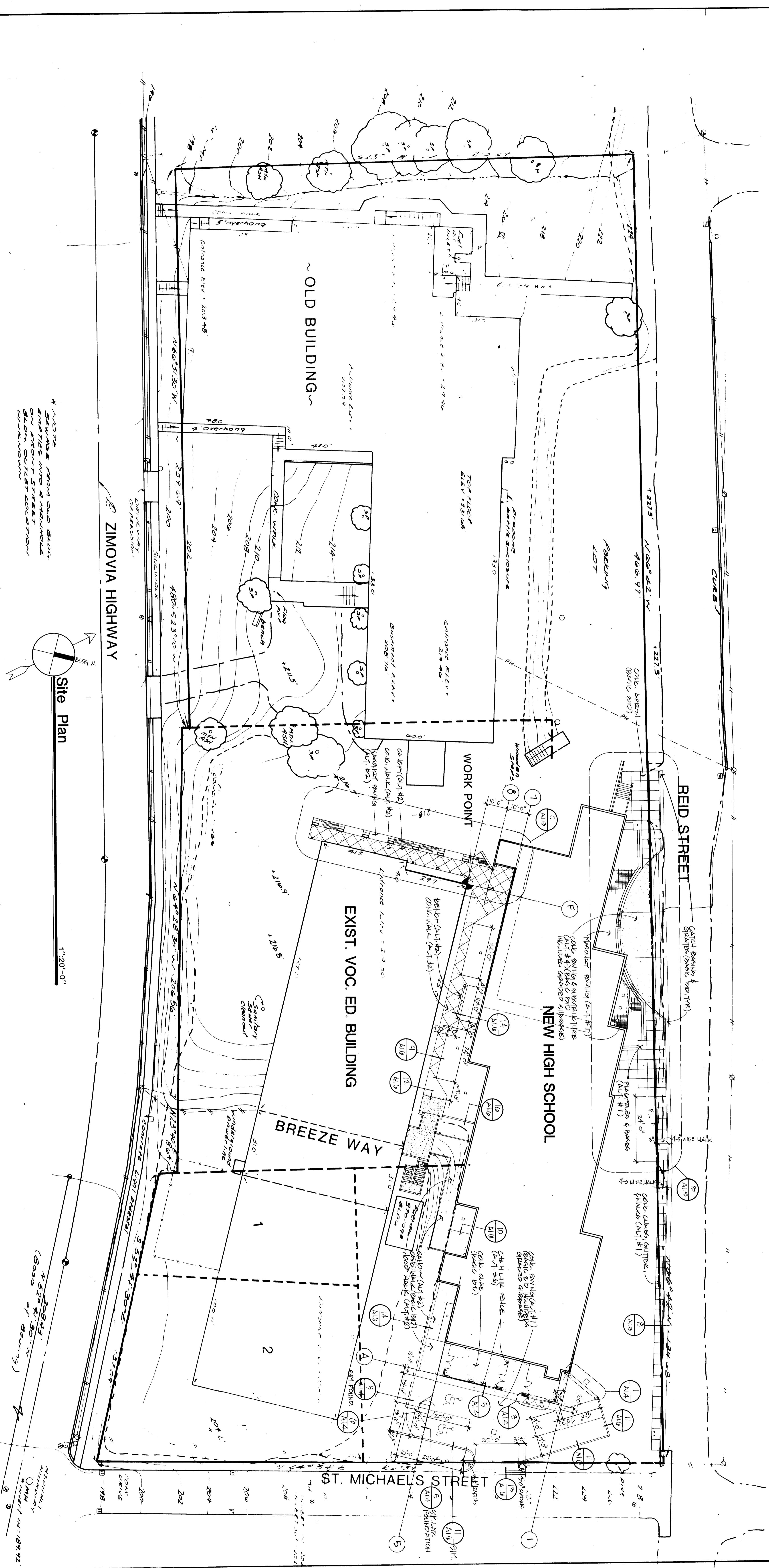
Abbreviations:  
C.B. - CATCH BASIN  
T.C. - TOP OF CURB  
T.G. - TOP OF GUTTER  
T.P. - TOP OF PAVING  
T.W. - TOP OF (retaining) WALL

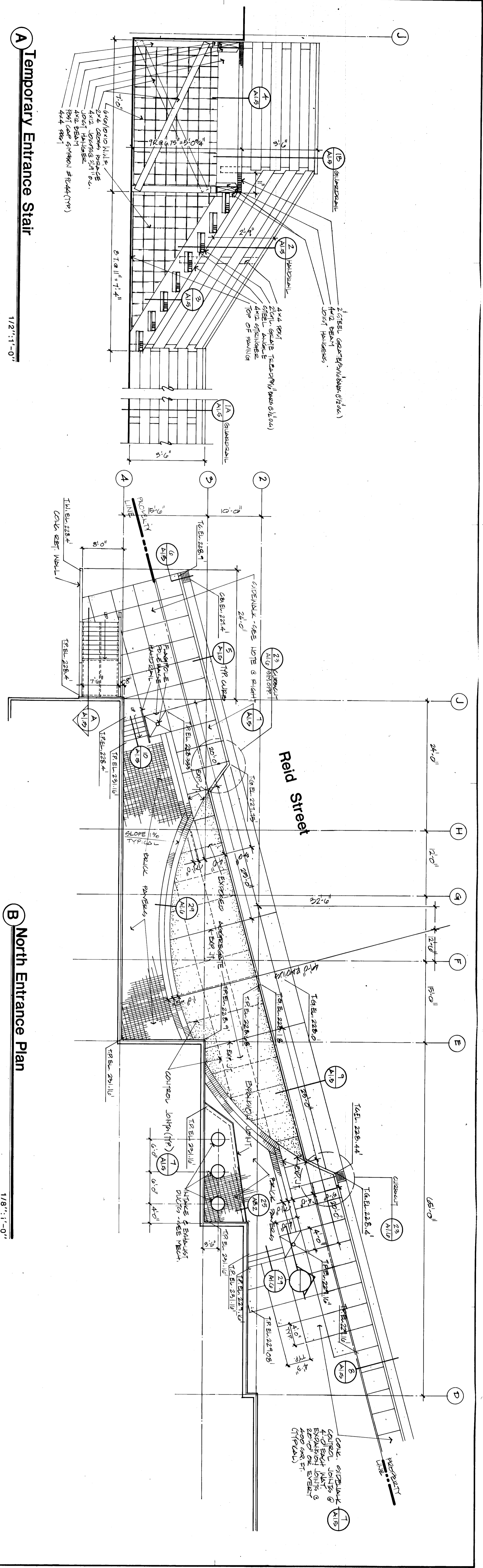


**WRANGELL  
HIGH SCHOOL**  
JOB NO. : 349  
DRAWN BY: WJL & FOL-LS  
TITLE  
**Site Grading &  
Drainage**

SHEET NO. :  
**A13**  
DATE : June 15, 1984

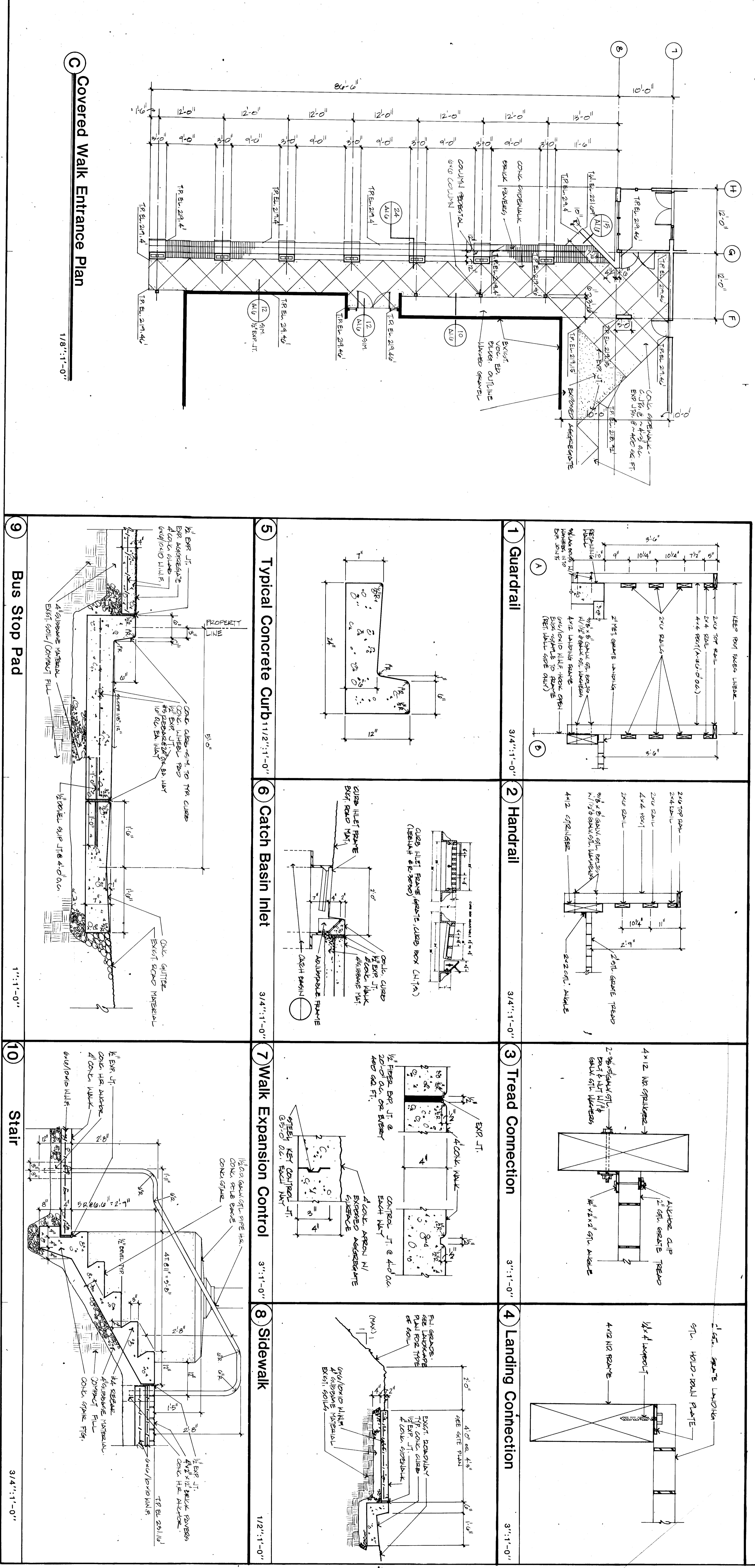
DATE: 7/20/83  
 DRAWN BY: JAMES A. ROULDS  
 CHECKED BY: JAMES A. ROULDS  
 PROJECT NO.: 3337-5  
 REGISTERED LAND SURVEYOR





**A** Temporary Entrance Stair  
1/2" = 1'-0"

**B** North Entrance Plan  
1/8" = 1'-0"



**C** Covered Walk Entrance Plan  
1/8" = 1'-0"

**9** Bus Stop Pad  
1" = 1'-0"

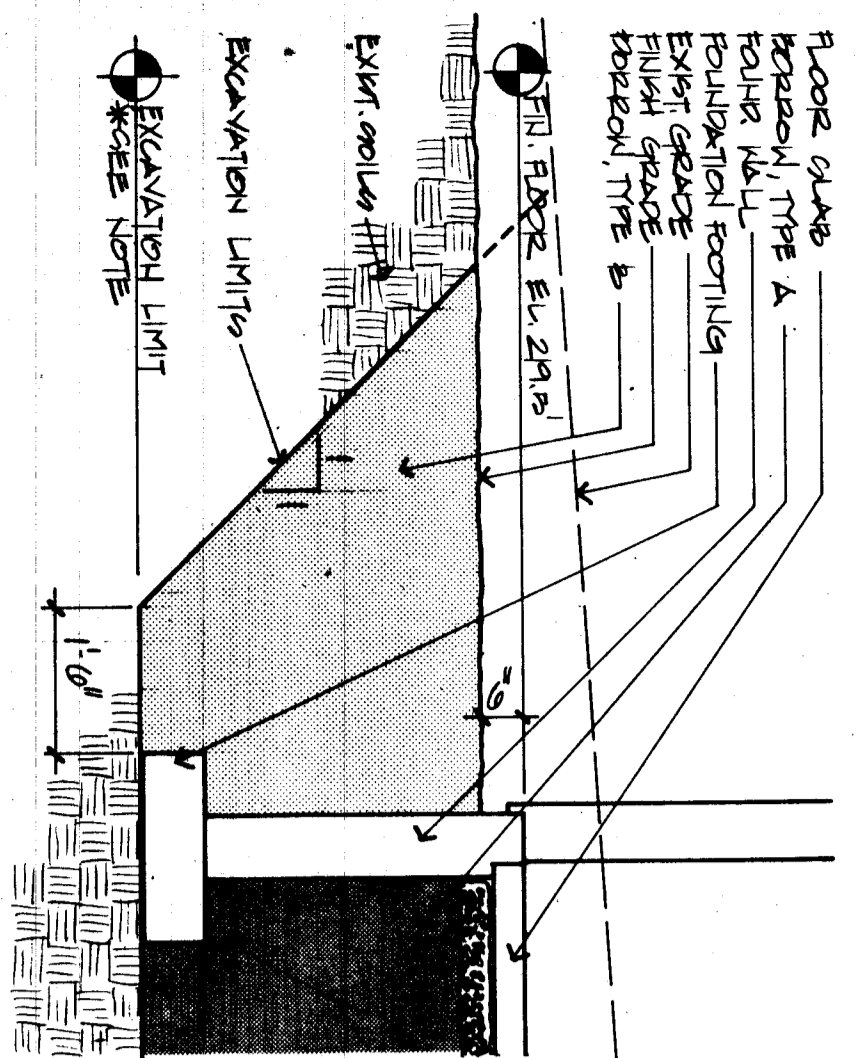
**10** Stair  
3/4" = 1'-0"



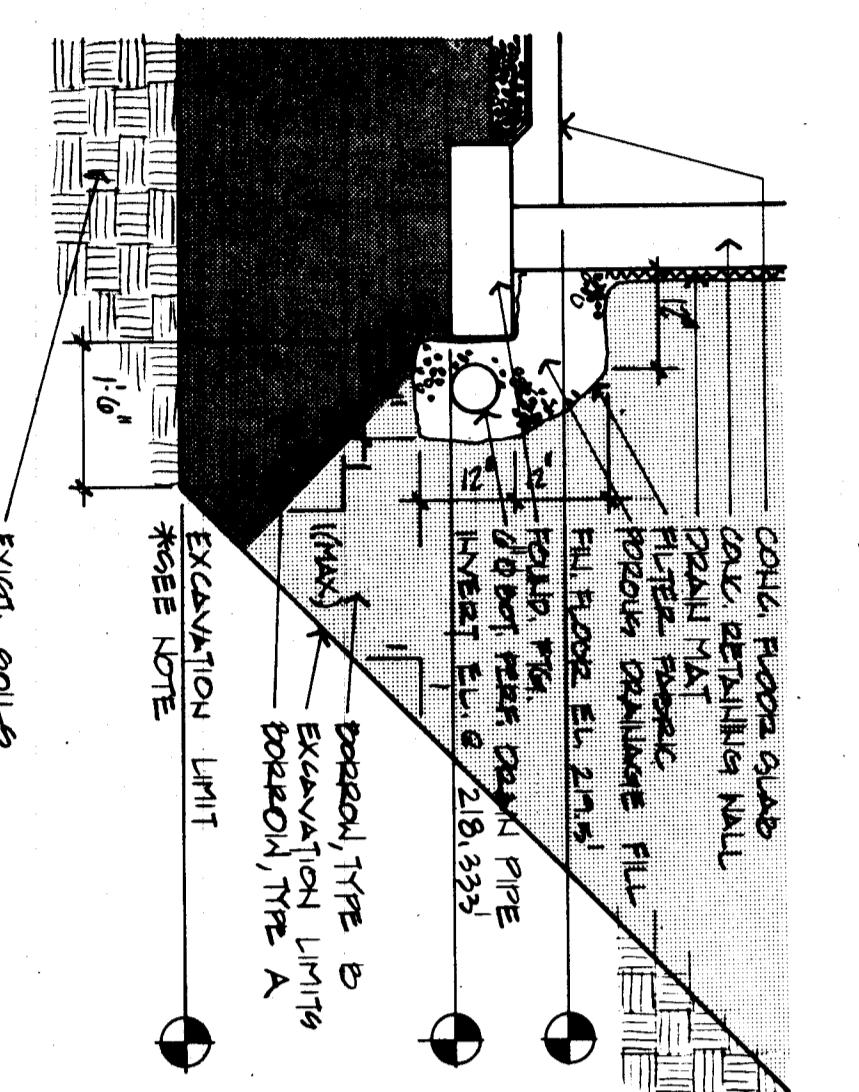
Abbreviations:  
C.B. - CATCH BASIN  
T.C. - TOP of CURB  
T.G. - TOP of GUTTER  
T.P. - TOP of PAVING  
T.W. - TOP of (retaining) WALL

**WRANGELL  
HIGH SCHOOL**  
JOB NO. : 349  
DRAWN BY : JACK & FOLGER  
TITLE :  
**Enlarged Partial  
Site Plans**  
SHEET NO. :  
**A15**  
DATE : June 15, 1984

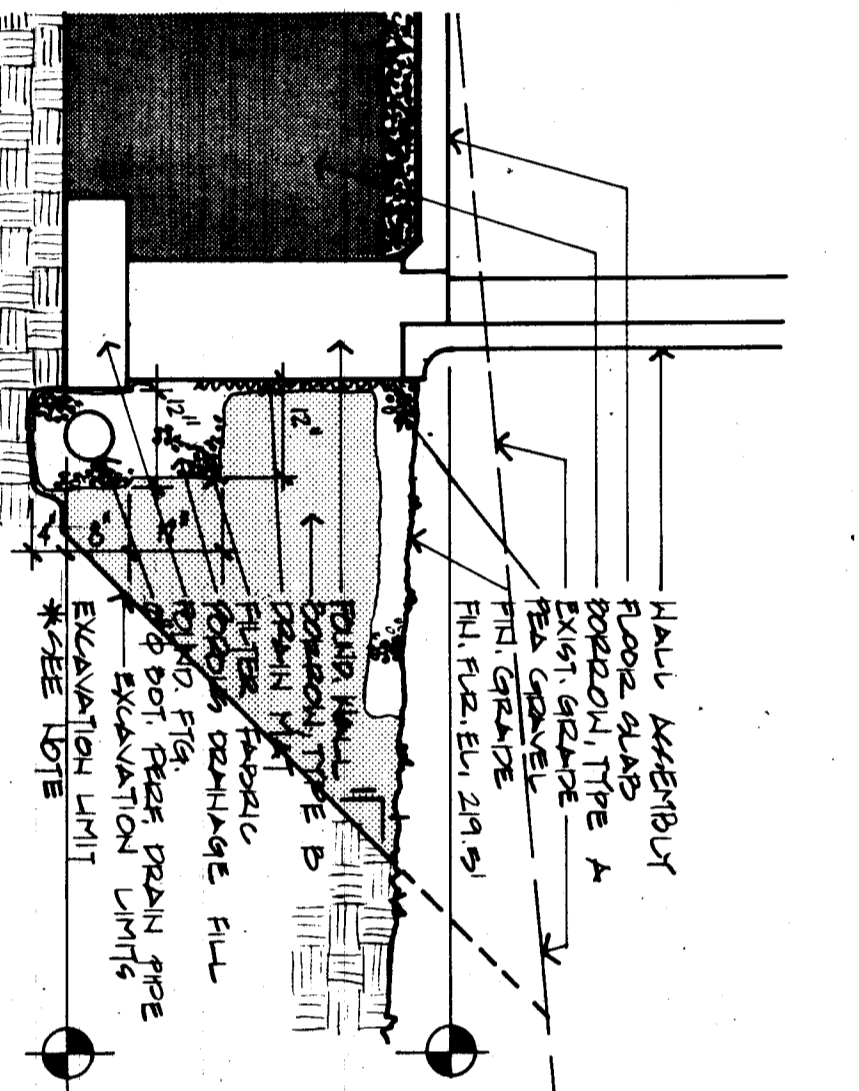
**ackley  
jensen  
architects inc.**  
D.O. BOX 310, JUNEAU, ALASKA, 99801



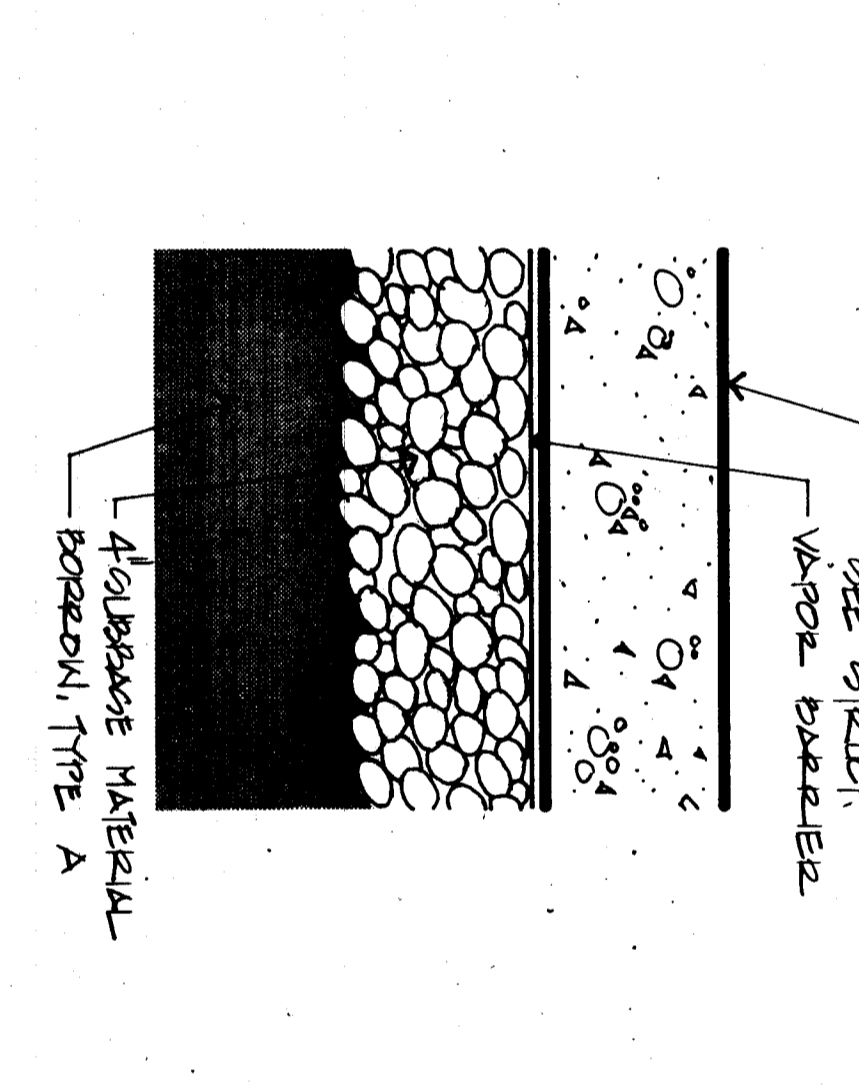
1 Excavation Limits 1/2"=1'-0"



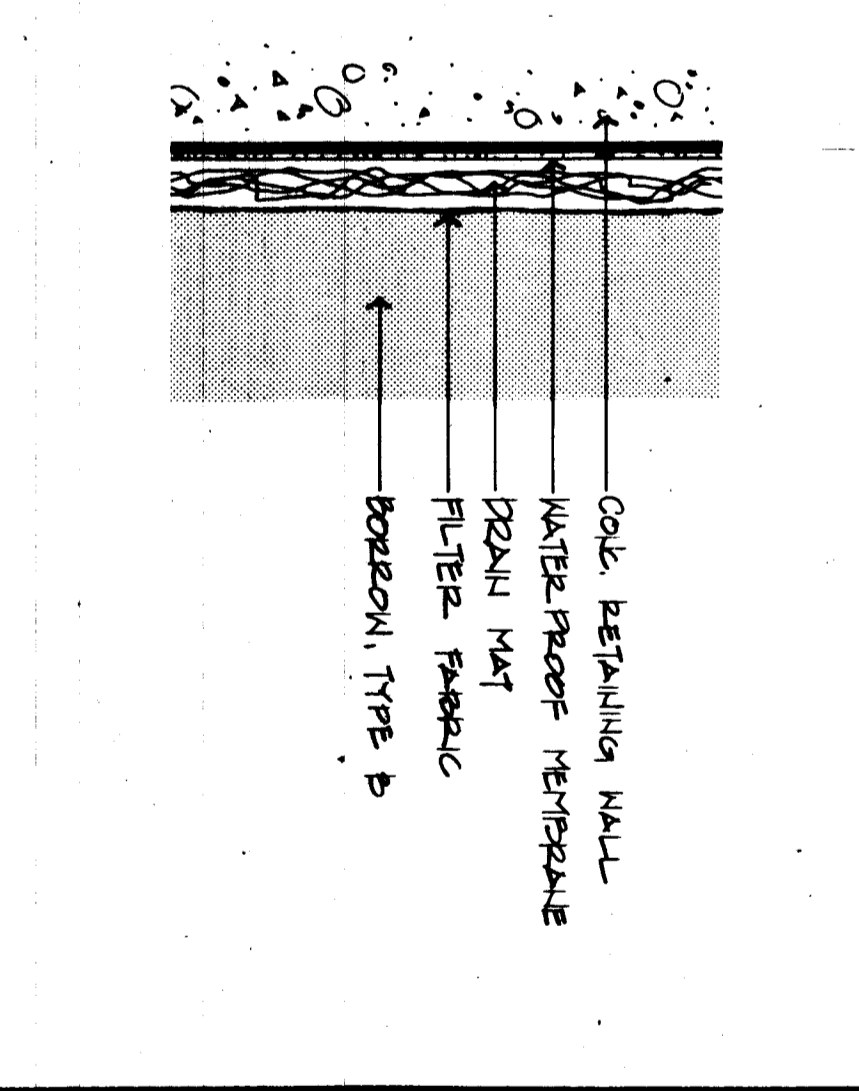
2 Foundation Drainage 1/2"=1'-0"



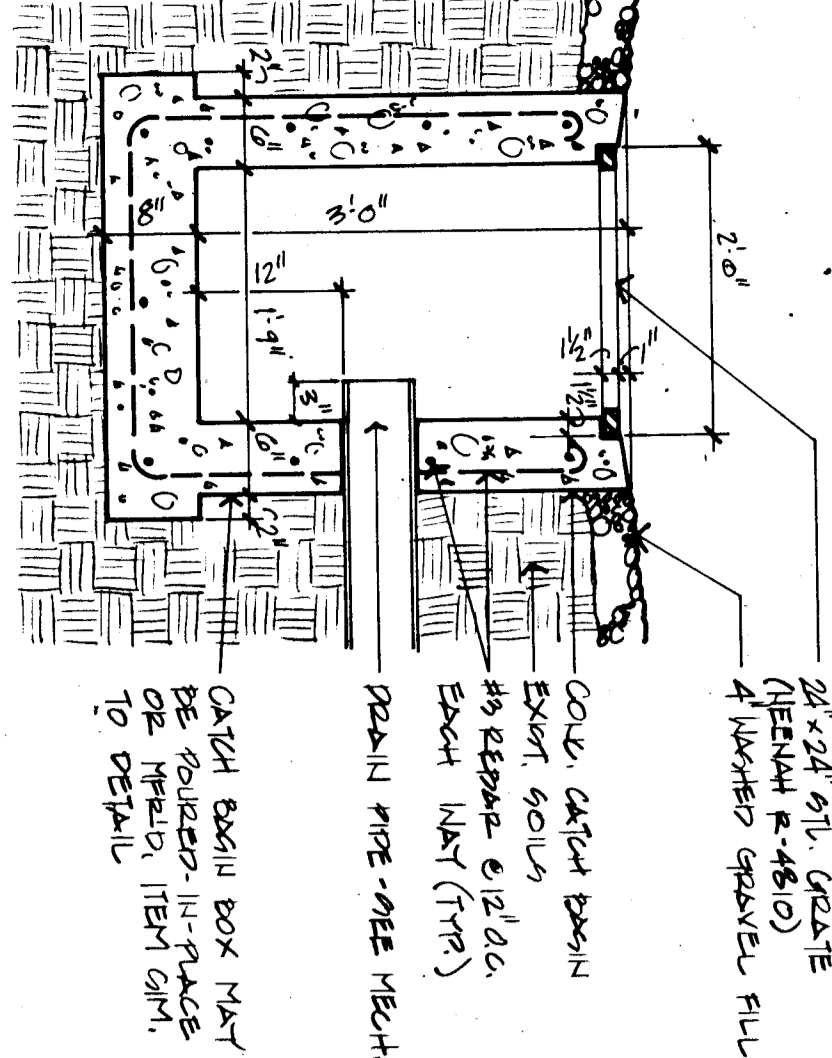
3 Foundation Drainage 1/2"=1'-0"



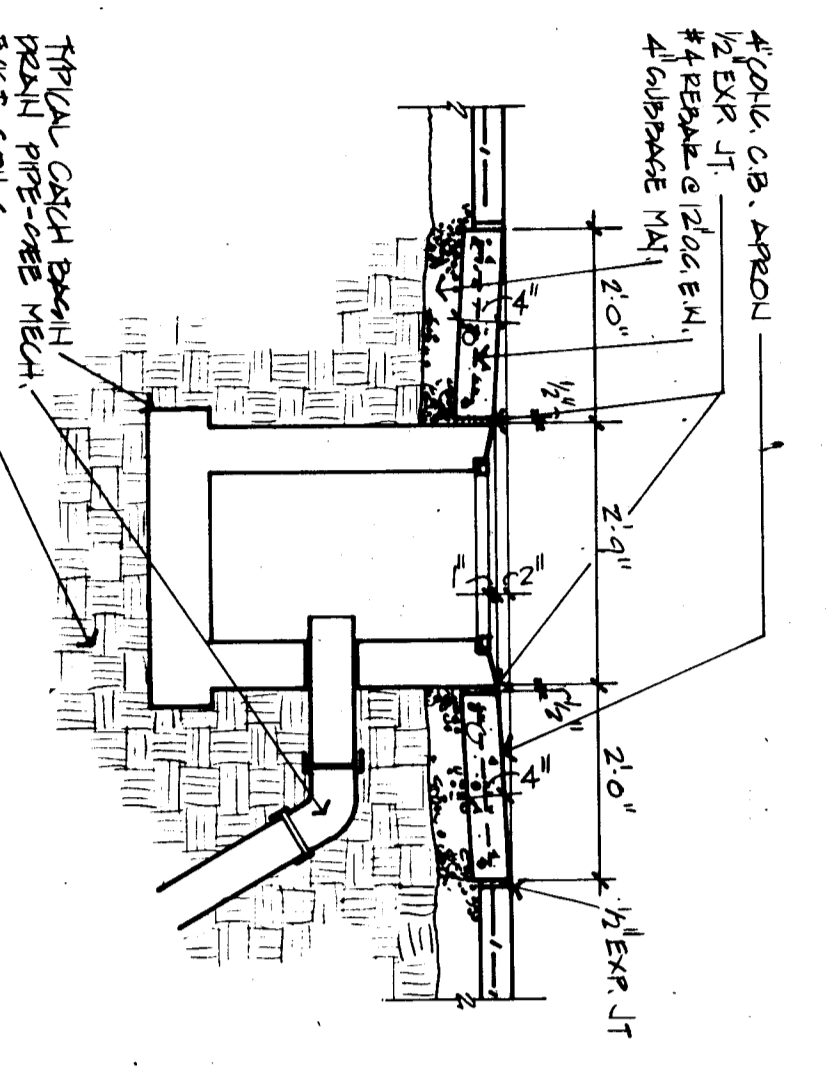
4 Typical Concrete Slab 3"=1'-0"



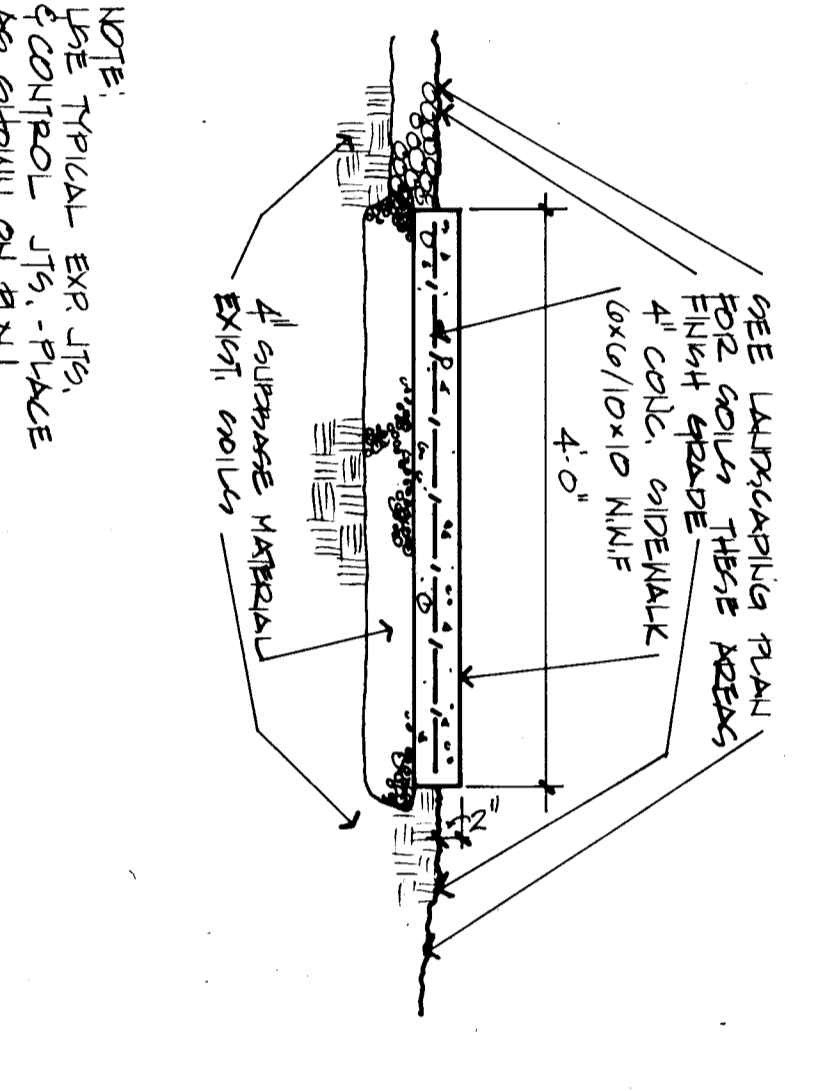
5 Retaining Wall Drainage N.T.S.



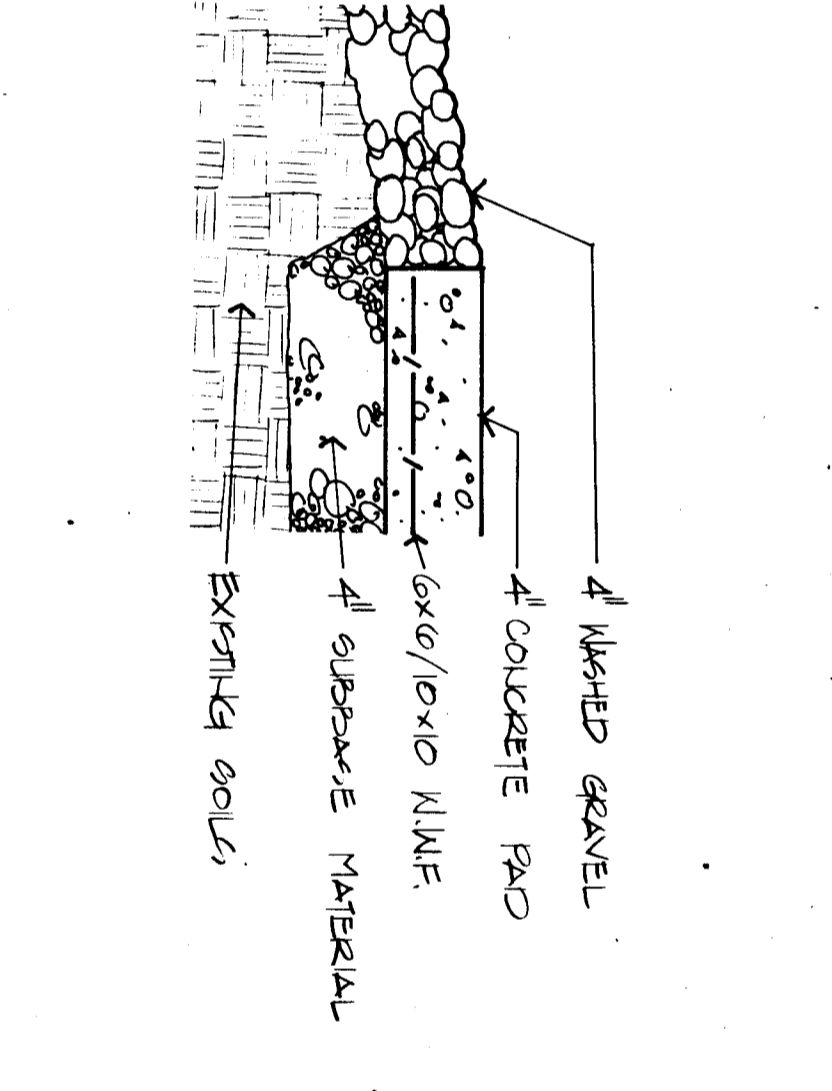
7 Typical Catch Basin 3/4"=1'-0"



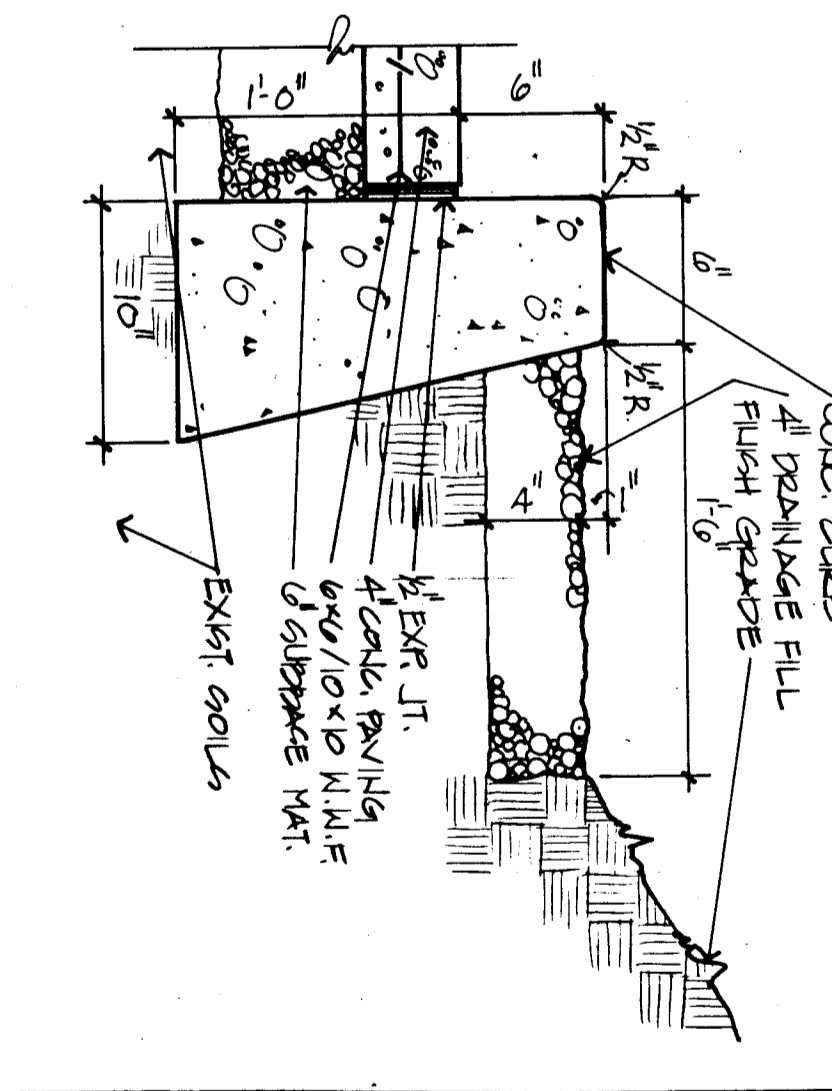
8 Catch Basin Apron 1/2"=1'-0"



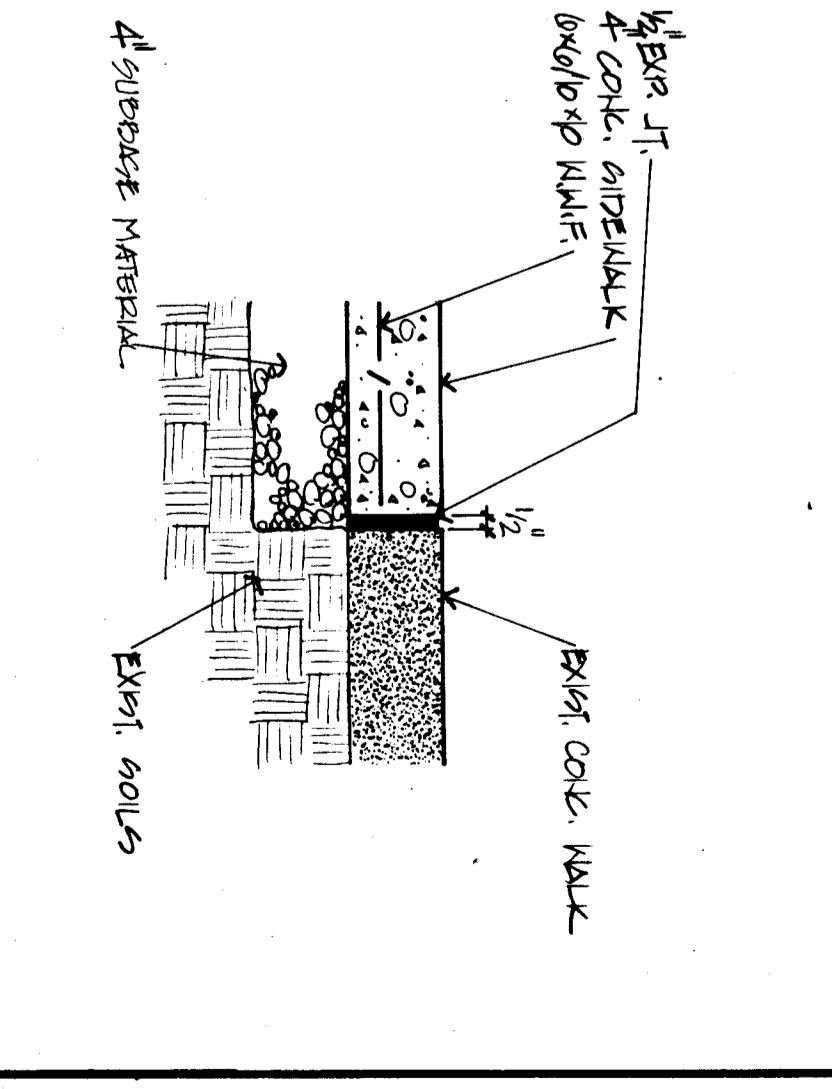
9 Concrete Sidewalk 3/4"=1'-0"



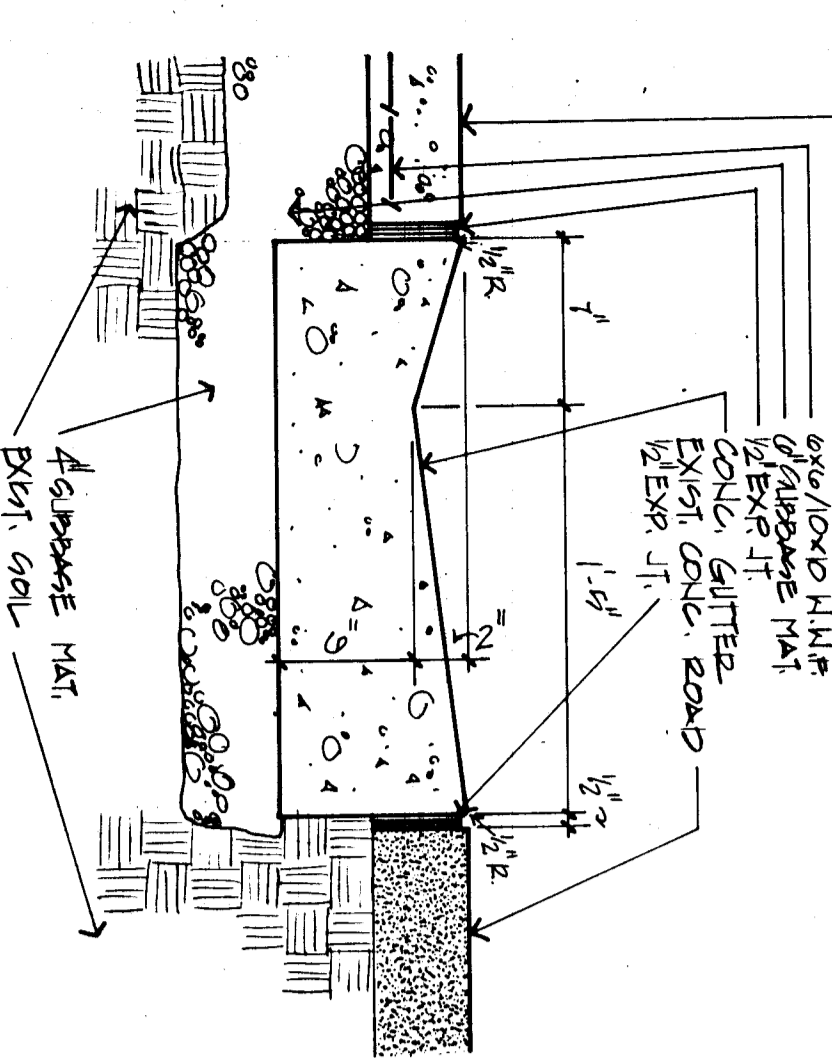
10 Conc. Pad Edge 1/2"=1'-0"



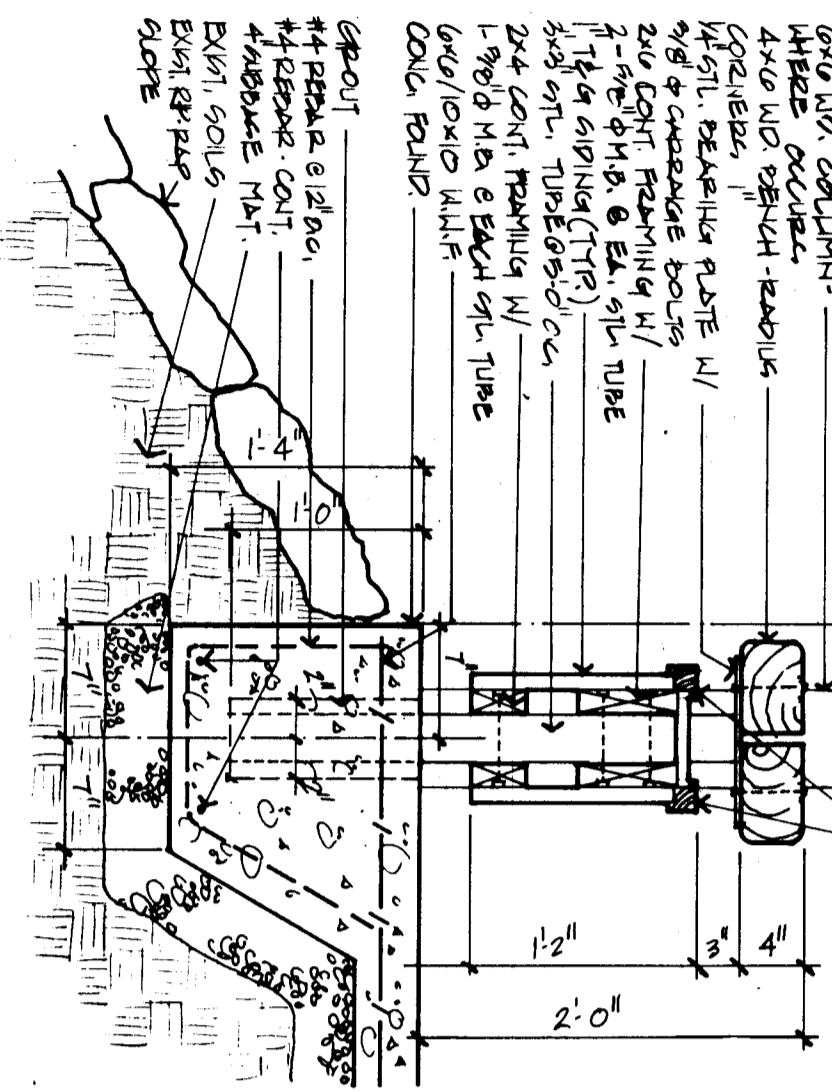
11 Concrete Curb 1/2"=1'-0"



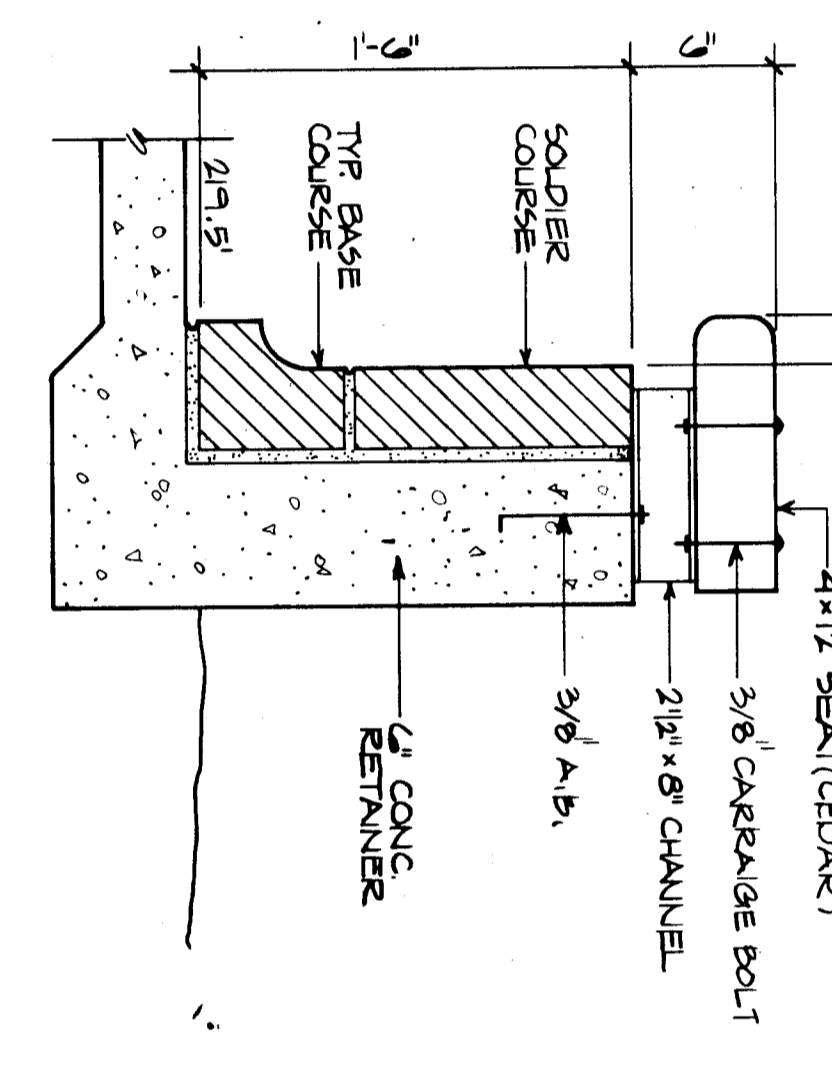
12 Sidewalk Connection 1/2"=1'-0"



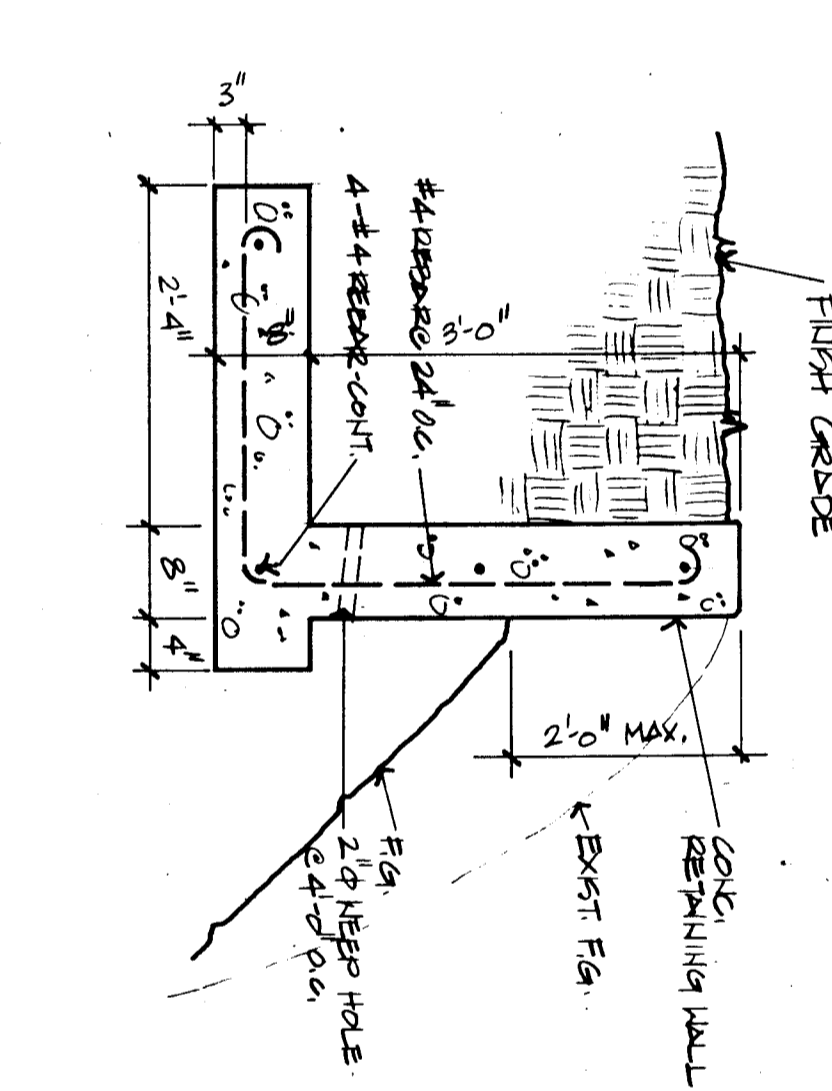
13 Concrete Gutter 1 1/2"=1'-0"



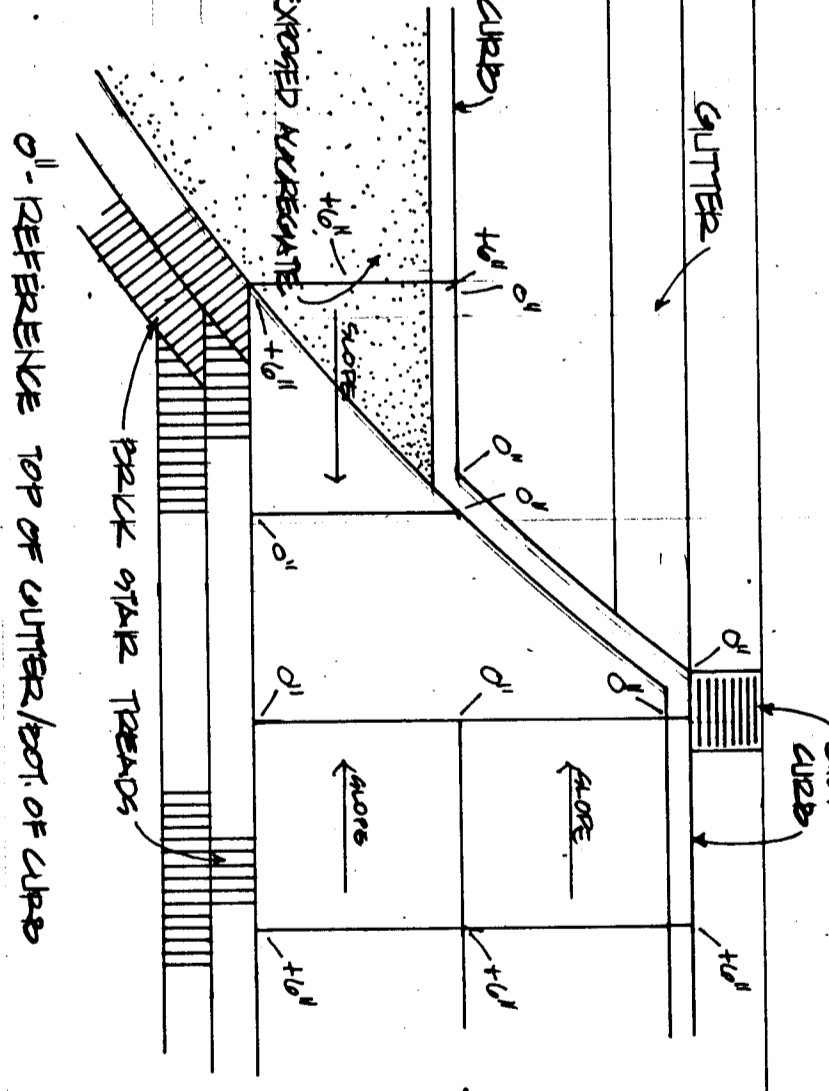
14 Seatwall 1"=1'-0"



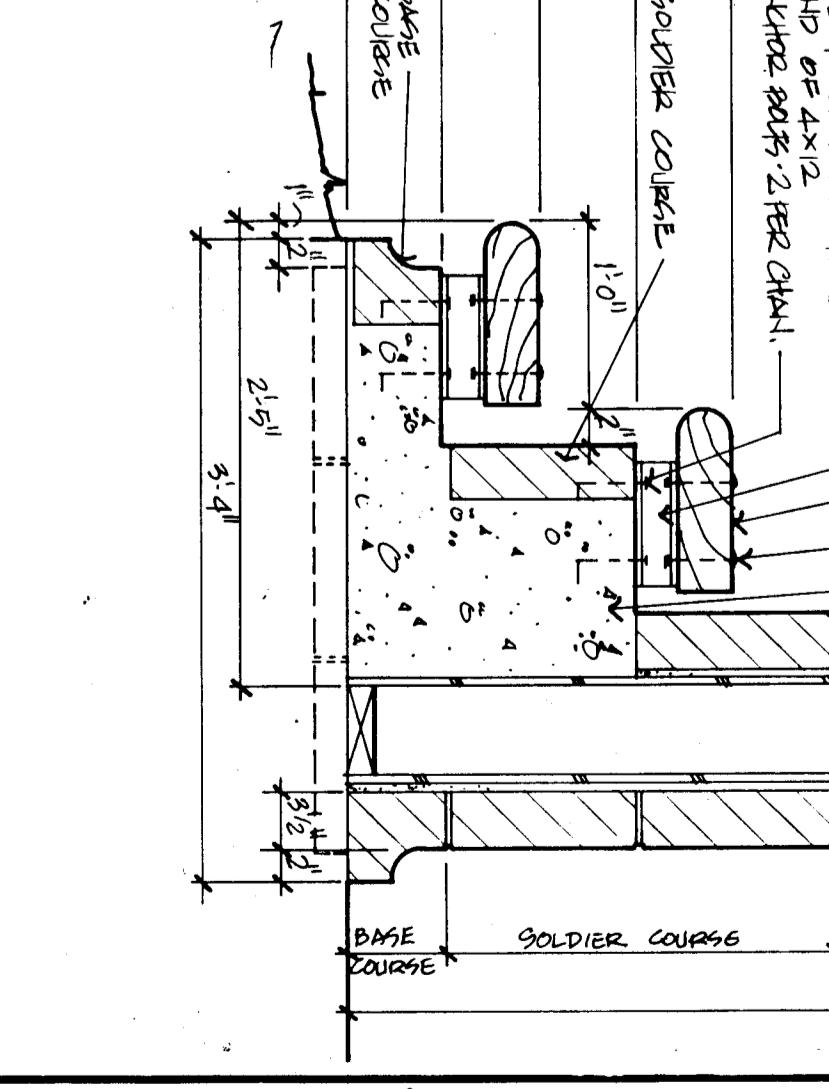
15 Seatwall 1 1/2"=1'-0"



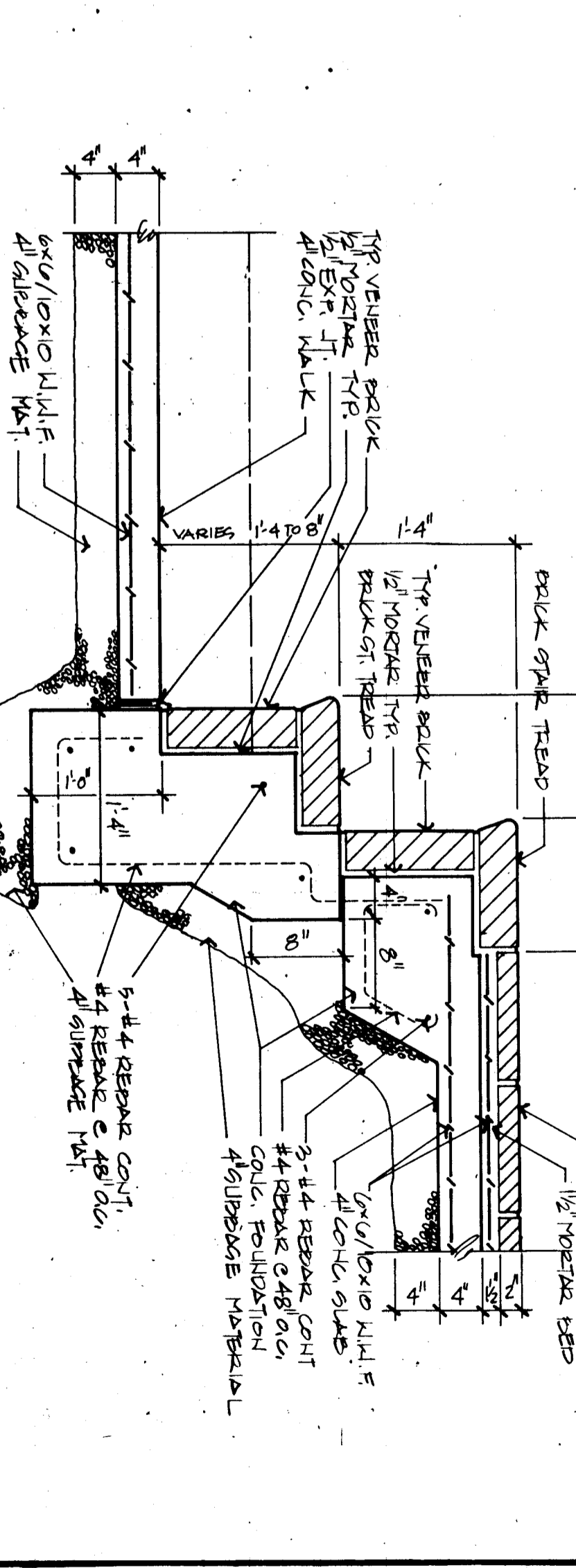
16 Retaining Wall 3/4"=1'-0"



23 Curb Cut 1/4"=1'-0"



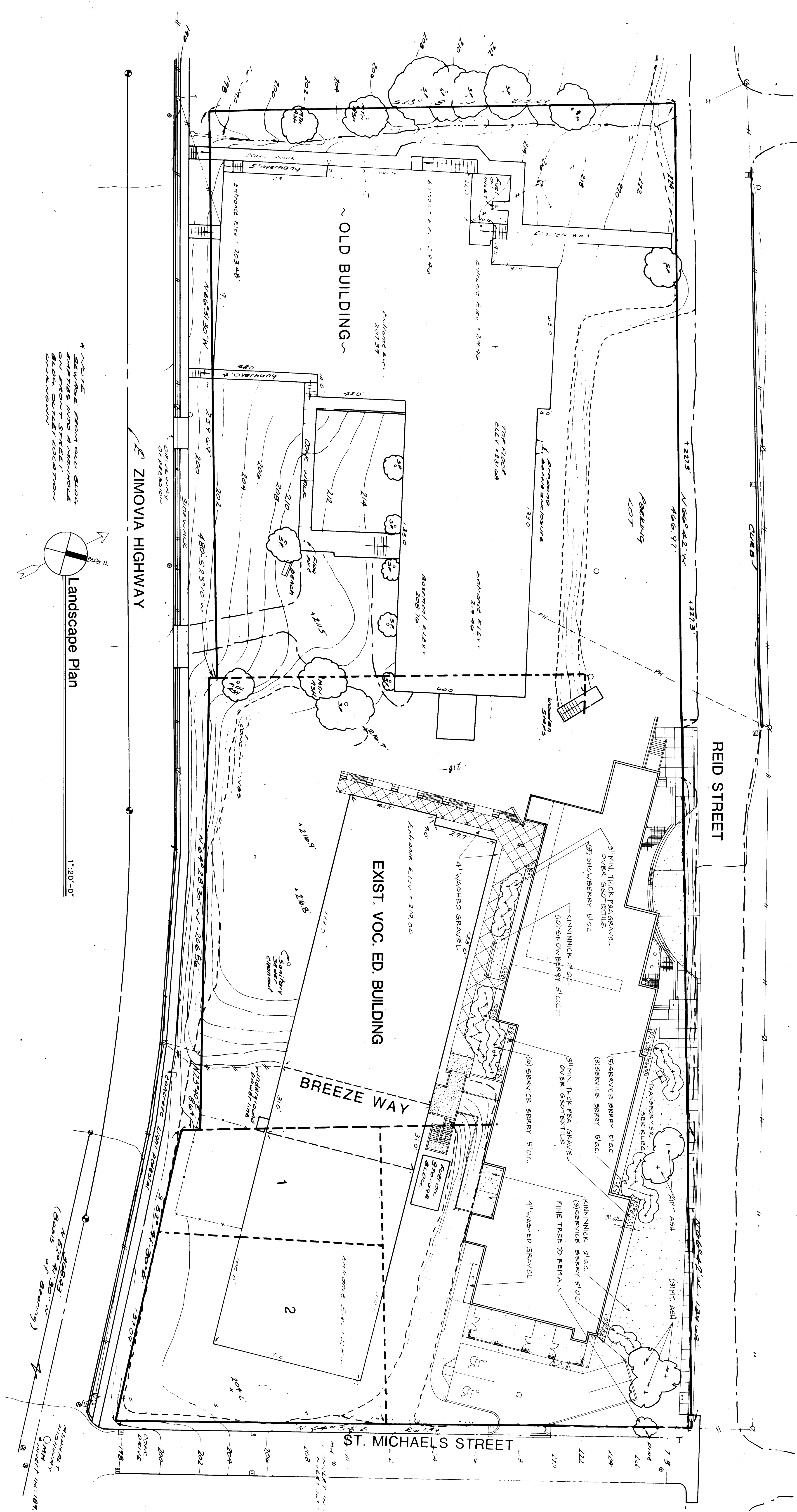
24 Pilaster Section at Plaza 1"=1'-0"



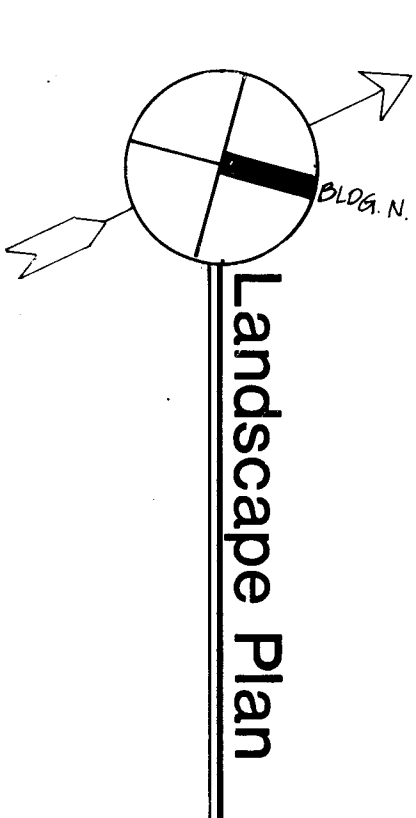
29 Brick Stair Section 1"=1'-0"



\*NOTE:  
EXCAVATE TO ELEVATION 215.5' OR  
4'-0" BELOW EXISTING GRADE  
WHICHEVER IS DEEPER, EXCEPT  
EXCAVATIONS NEED NOT EXTEND  
BELOW TOP OF FIRM BEDROCK,  
UNLESS NOTED OTHERWISE



REMOVE FROM OLD BLDG  
SHRUBS AND PERENNIALS  
AND RELOCATE  
TO NEW PLANTING  
LOCATION



Plant Schedule

Common Name	Botanical Name	Quantity	Size	Condition	Remarks
Kinnikinnick	Symphoricarpos Albus	18	1 gal.	Container	Plant 2' o.c.
Service Berry	Amelanchier Florida	22	2 gal.	Container	Plant 5' o.c.
Service Berry	Gaultheria's Shanon	40	5 gal.	Container	Plant 5' o.c.
Service Berry	Gaultheria's Shanon	40	1 gal.	Container	Plant 3' o.c.



WRANGELL  
HIGH SCHOOL

JOB NO. 349  
DRAWN BY:  
TITLE Landscape Plan

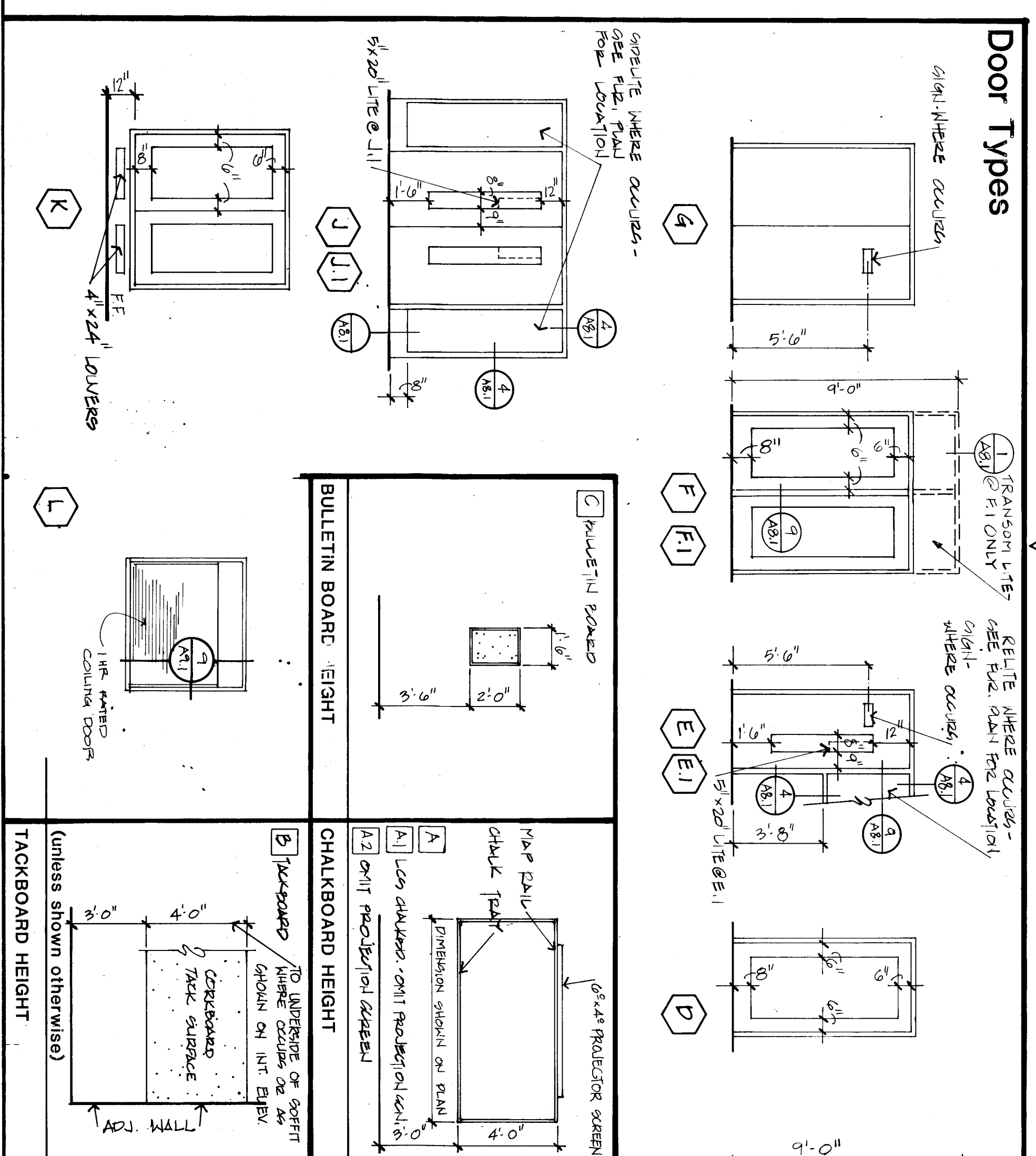
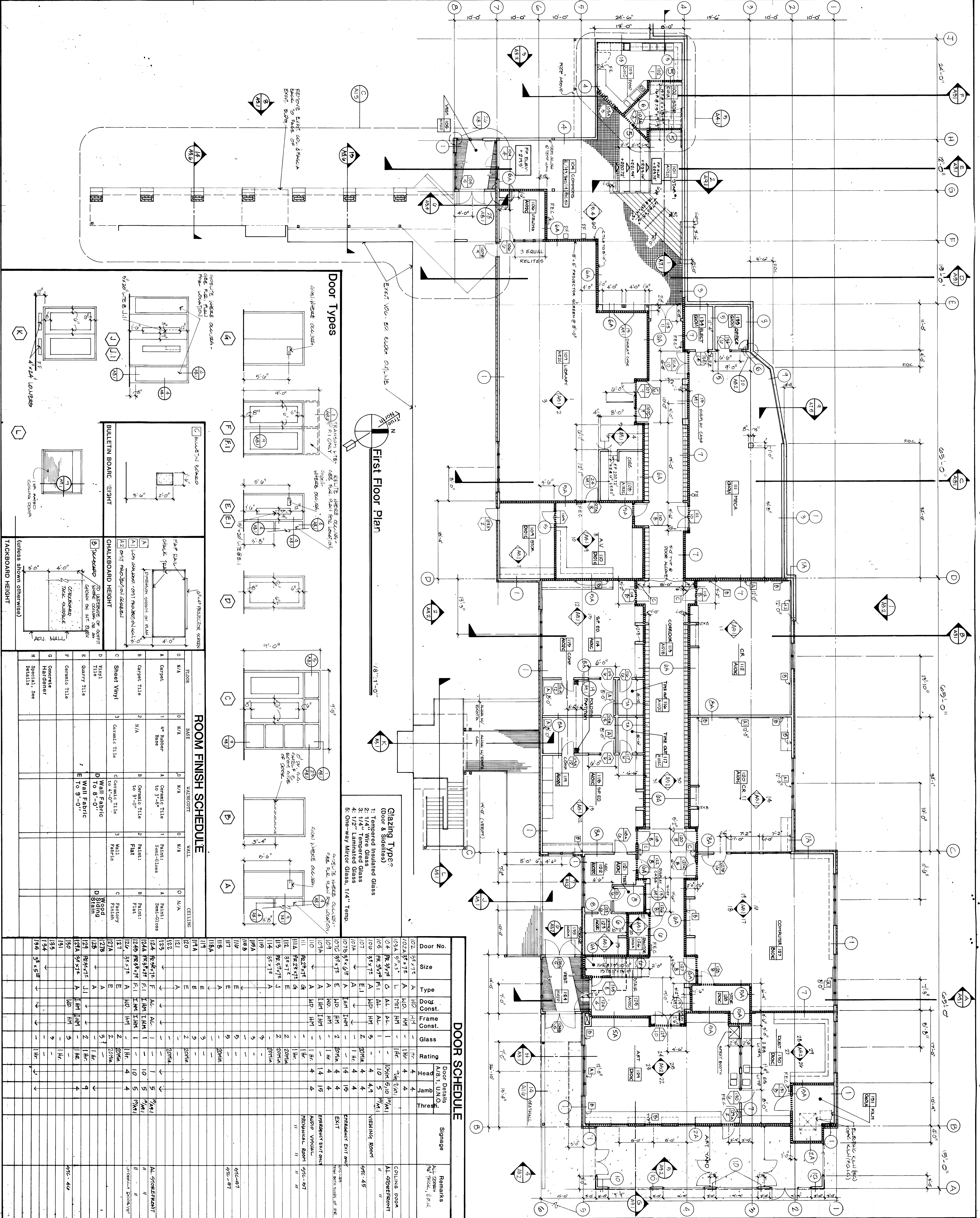
SHEET NO. A1.7

DATE: June 15, 1984

DATE: 7/10/84 REGISTRATION NO.: 3337-S  
REGISTERED LAND SURVEYOR

**ackley  
jensen**  
architects inc.  
P.O. Box 310, Juneau, Alaska, 99902





### ROOM FINISH SCHEDULE

FLOOR	BASE	WAINSCOT	WALL	CENTRE
0	N/A	N/A	N/A	N/A
1	Carpet	1" Rubber Base	Paint: Semi-Gloss	Paint: Semi-Gloss
2	Carpet Tile	N/A	Paint: Semi-Gloss	Paint: Semi-Gloss
3	Sheet Vinyl	Ceramic Tile	Paint: Semi-Gloss	Paint: Semi-Gloss
4	Sheet Vinyl	Ceramic Tile	Paint: Semi-Gloss	Paint: Semi-Gloss
5	Sheet Vinyl	Ceramic Tile	Paint: Semi-Gloss	Paint: Semi-Gloss
6	Sheet Vinyl	Ceramic Tile	Paint: Semi-Gloss	Paint: Semi-Gloss
7	Sheet Vinyl	Ceramic Tile	Paint: Semi-Gloss	Paint: Semi-Gloss
8	Sheet Vinyl	Ceramic Tile	Paint: Semi-Gloss	Paint: Semi-Gloss
9	Sheet Vinyl	Ceramic Tile	Paint: Semi-Gloss	Paint: Semi-Gloss
10	Sheet Vinyl	Ceramic Tile	Paint: Semi-Gloss	Paint: Semi-Gloss
11	Sheet Vinyl	Ceramic Tile	Paint: Semi-Gloss	Paint: Semi-Gloss
12	Sheet Vinyl	Ceramic Tile	Paint: Semi-Gloss	Paint: Semi-Gloss
13	Sheet Vinyl	Ceramic Tile	Paint: Semi-Gloss	Paint: Semi-Gloss
14	Sheet Vinyl	Ceramic Tile	Paint: Semi-Gloss	Paint: Semi-Gloss
15	Sheet Vinyl	Ceramic Tile	Paint: Semi-Gloss	Paint: Semi-Gloss
16	Sheet Vinyl	Ceramic Tile	Paint: Semi-Gloss	Paint: Semi-Gloss
17	Sheet Vinyl	Ceramic Tile	Paint: Semi-Gloss	Paint: Semi-Gloss
18	Sheet Vinyl	Ceramic Tile	Paint: Semi-Gloss	Paint: Semi-Gloss
19	Sheet Vinyl	Ceramic Tile	Paint: Semi-Gloss	Paint: Semi-Gloss
20	Sheet Vinyl	Ceramic Tile	Paint: Semi-Gloss	Paint: Semi-Gloss
21	Sheet Vinyl	Ceramic Tile	Paint: Semi-Gloss	Paint: Semi-Gloss
22	Sheet Vinyl	Ceramic Tile	Paint: Semi-Gloss	Paint: Semi-Gloss
23	Sheet Vinyl	Ceramic Tile	Paint: Semi-Gloss	Paint: Semi-Gloss
24	Sheet Vinyl	Ceramic Tile	Paint: Semi-Gloss	Paint: Semi-Gloss
25	Sheet Vinyl	Ceramic Tile	Paint: Semi-Gloss	Paint: Semi-Gloss
26	Sheet Vinyl	Ceramic Tile	Paint: Semi-Gloss	Paint: Semi-Gloss
27	Sheet Vinyl	Ceramic Tile	Paint: Semi-Gloss	Paint: Semi-Gloss
28	Sheet Vinyl	Ceramic Tile	Paint: Semi-Gloss	Paint: Semi-Gloss
29	Sheet Vinyl	Ceramic Tile	Paint: Semi-Gloss	Paint: Semi-Gloss
30	Sheet Vinyl	Ceramic Tile	Paint: Semi-Gloss	Paint: Semi-Gloss
31	Sheet Vinyl	Ceramic Tile	Paint: Semi-Gloss	Paint: Semi-Gloss
32	Sheet Vinyl	Ceramic Tile	Paint: Semi-Gloss	Paint: Semi-Gloss
33	Sheet Vinyl	Ceramic Tile	Paint: Semi-Gloss	Paint: Semi-Gloss
34	Sheet Vinyl	Ceramic Tile	Paint: Semi-Gloss	Paint: Semi-Gloss
35	Sheet Vinyl	Ceramic Tile	Paint: Semi-Gloss	Paint: Semi-Gloss
36	Sheet Vinyl	Ceramic Tile	Paint: Semi-Gloss	Paint: Semi-Gloss
37	Sheet Vinyl	Ceramic Tile	Paint: Semi-Gloss	Paint: Semi-Gloss
38	Sheet Vinyl	Ceramic Tile	Paint: Semi-Gloss	Paint: Semi-Gloss
39	Sheet Vinyl	Ceramic Tile	Paint: Semi-Gloss	Paint: Semi-Gloss
40	Sheet Vinyl	Ceramic Tile	Paint: Semi-Gloss	Paint: Semi-Gloss
41	Sheet Vinyl	Ceramic Tile	Paint: Semi-Gloss	Paint: Semi-Gloss
42	Sheet Vinyl	Ceramic Tile	Paint: Semi-Gloss	Paint: Semi-Gloss
43	Sheet Vinyl	Ceramic Tile	Paint: Semi-Gloss	Paint: Semi-Gloss
44	Sheet Vinyl	Ceramic Tile	Paint: Semi-Gloss	Paint: Semi-Gloss
45	Sheet Vinyl	Ceramic Tile	Paint: Semi-Gloss	Paint: Semi-Gloss
46	Sheet Vinyl	Ceramic Tile	Paint: Semi-Gloss	Paint: Semi-Gloss
47	Sheet Vinyl	Ceramic Tile	Paint: Semi-Gloss	Paint: Semi-Gloss
48	Sheet Vinyl	Ceramic Tile	Paint: Semi-Gloss	Paint: Semi-Gloss
49	Sheet Vinyl	Ceramic Tile	Paint: Semi-Gloss	Paint: Semi-Gloss
50	Sheet Vinyl	Ceramic Tile	Paint: Semi-Gloss	Paint: Semi-Gloss

### DOOR SCHEDULE

Door No.	Size	Type	Door Const.	Frame Const.	Glass	Rating	Head	Jamb	Threshold	Signage	Remarks
101	3'6\"/>										

**WRANGELL HIGH SCHOOL**

JOB NO. 349

TITLE: First Floor Plan Room Finish & Door Schedules - 1/8"=1'-0"

DRAWN BY: [Signature]

SHEET NO. A2.1

DATE: June 15, 1984

**ackley jensen architects inc.**

P.O. box 310, Juneau, Alaska, 99802

**1 Hour Rated Assembly**

1. All doors and windows shall be tested in accordance with UL 10C and shall be listed for use in fire-rated assemblies.

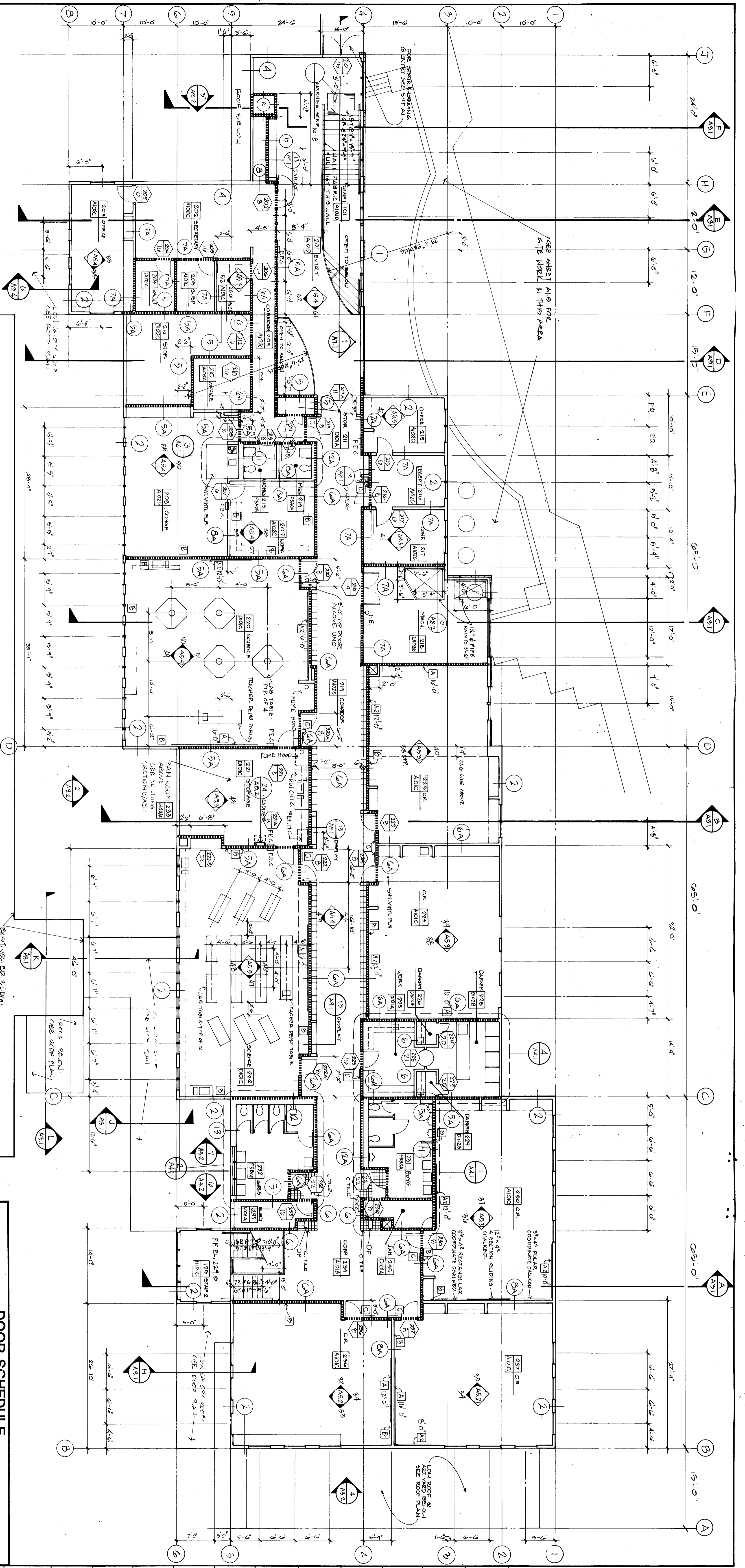
2. All doors and windows shall be tested in accordance with UL 10C and shall be listed for use in fire-rated assemblies.

3. All doors and windows shall be tested in accordance with UL 10C and shall be listed for use in fire-rated assemblies.

4. All doors and windows shall be tested in accordance with UL 10C and shall be listed for use in fire-rated assemblies.

5. All doors and windows shall be tested in accordance with UL 10C and shall be listed for use in fire-rated assemblies.

6. All doors and windows shall be tested in accordance with UL 10C and shall be listed for use in fire-rated assemblies.



Second Floor Plan  
1/8" = 1'-0"

ROOM	FINISH	WAINSCOTT	CEILING
0	N/A	N/A	N/A
A	Carpet	1" Rubber Base	Paint: Semi-Gloss
B	Ceramic Tile	2" N/A	Paint: Semi-Gloss
C	Sheet Vinyl	3" Ceramic Tile	Paint: Semi-Gloss
D	High Asbestos Tile	4" Ceramic Tile	Paint: Semi-Gloss
E	Carry Tile	5" Ceramic Tile	Paint: Semi-Gloss
F	Ceramic Tile	6" Ceramic Tile	Paint: Semi-Gloss
G	Ceramic Tile	7" Ceramic Tile	Paint: Semi-Gloss
H	Concrete Handdown	8" Ceramic Tile	Paint: Semi-Gloss
I	Special, See Details	9" Ceramic Tile	Paint: Semi-Gloss

**ROOM FINISH SCHEDULE**

Glazing Types  
(Door & Sidelites)  
1: Tempered Insulated Glass  
2: 1/4" Wire Glass  
3: 1/4" Tempered Glass  
4: 1/4" One-Way Mirror Glass, 1/4" Temp.  
5: One-Way Mirror Glass, 1/4" Temp.

Door No.	Size	Type	Door Const.	Frame Const.	Glass	Rating	Head	Jamb	Threshold	Signage	Remarks
201	3'-0" x 7'-0"	J	1H1	1H1	1	4	1"	1"	2"		See Detail A2.1
202	3'-0" x 7'-0"	E	1H1	1H1	2	4	1"	1"	2"		See Detail A2.1
203	3'-0" x 7'-0"	A	1H1	1H1	1	4	1"	1"	2"		See Detail A2.1
204	3'-0" x 7'-0"	A	1H1	1H1	2	4	1"	1"	2"		See Detail A2.1
205	3'-0" x 7'-0"	A	1H1	1H1	2	4	1"	1"	2"		See Detail A2.1
206	3'-0" x 7'-0"	A	1H1	1H1	2	4	1"	1"	2"		See Detail A2.1
207	3'-0" x 7'-0"	A	1H1	1H1	2	4	1"	1"	2"		See Detail A2.1
208	3'-0" x 7'-0"	A	1H1	1H1	2	4	1"	1"	2"		See Detail A2.1
209	3'-0" x 7'-0"	A	1H1	1H1	2	4	1"	1"	2"		See Detail A2.1
210	3'-0" x 7'-0"	A	1H1	1H1	2	4	1"	1"	2"		See Detail A2.1
211	3'-0" x 7'-0"	A	1H1	1H1	2	4	1"	1"	2"		See Detail A2.1
212	3'-0" x 7'-0"	A	1H1	1H1	2	4	1"	1"	2"		See Detail A2.1
213	3'-0" x 7'-0"	A	1H1	1H1	2	4	1"	1"	2"		See Detail A2.1
214	3'-0" x 7'-0"	A	1H1	1H1	2	4	1"	1"	2"		See Detail A2.1
215	3'-0" x 7'-0"	A	1H1	1H1	2	4	1"	1"	2"		See Detail A2.1
216	3'-0" x 7'-0"	A	1H1	1H1	2	4	1"	1"	2"		See Detail A2.1
217	3'-0" x 7'-0"	A	1H1	1H1	2	4	1"	1"	2"		See Detail A2.1
218	3'-0" x 7'-0"	A	1H1	1H1	2	4	1"	1"	2"		See Detail A2.1
219	3'-0" x 7'-0"	A	1H1	1H1	2	4	1"	1"	2"		See Detail A2.1
220	3'-0" x 7'-0"	A	1H1	1H1	2	4	1"	1"	2"		See Detail A2.1
221	3'-0" x 7'-0"	A	1H1	1H1	2	4	1"	1"	2"		See Detail A2.1
222	3'-0" x 7'-0"	A	1H1	1H1	2	4	1"	1"	2"		See Detail A2.1
223	3'-0" x 7'-0"	A	1H1	1H1	2	4	1"	1"	2"		See Detail A2.1
224	3'-0" x 7'-0"	A	1H1	1H1	2	4	1"	1"	2"		See Detail A2.1
225	3'-0" x 7'-0"	A	1H1	1H1	2	4	1"	1"	2"		See Detail A2.1
226	3'-0" x 7'-0"	A	1H1	1H1	2	4	1"	1"	2"		See Detail A2.1
227	3'-0" x 7'-0"	A	1H1	1H1	2	4	1"	1"	2"		See Detail A2.1
228	3'-0" x 7'-0"	A	1H1	1H1	2	4	1"	1"	2"		See Detail A2.1
229	3'-0" x 7'-0"	A	1H1	1H1	2	4	1"	1"	2"		See Detail A2.1
230	3'-0" x 7'-0"	A	1H1	1H1	2	4	1"	1"	2"		See Detail A2.1
231	3'-0" x 7'-0"	A	1H1	1H1	2	4	1"	1"	2"		See Detail A2.1
232	3'-0" x 7'-0"	A	1H1	1H1	2	4	1"	1"	2"		See Detail A2.1
233	3'-0" x 7'-0"	A	1H1	1H1	2	4	1"	1"	2"		See Detail A2.1
234	3'-0" x 7'-0"	A	1H1	1H1	2	4	1"	1"	2"		See Detail A2.1
235	3'-0" x 7'-0"	A	1H1	1H1	2	4	1"	1"	2"		See Detail A2.1
236	3'-0" x 7'-0"	A	1H1	1H1	2	4	1"	1"	2"		See Detail A2.1
237	3'-0" x 7'-0"	A	1H1	1H1	2	4	1"	1"	2"		See Detail A2.1
238	3'-0" x 7'-0"	A	1H1	1H1	2	4	1"	1"	2"		See Detail A2.1
239	3'-0" x 7'-0"	A	1H1	1H1	2	4	1"	1"	2"		See Detail A2.1
240	3'-0" x 7'-0"	A	1H1	1H1	2	4	1"	1"	2"		See Detail A2.1

**WRANGELL HIGH SCHOOL**

**Architects Inc.**  
P.O. Box 310, Juneau, Alaska 99802

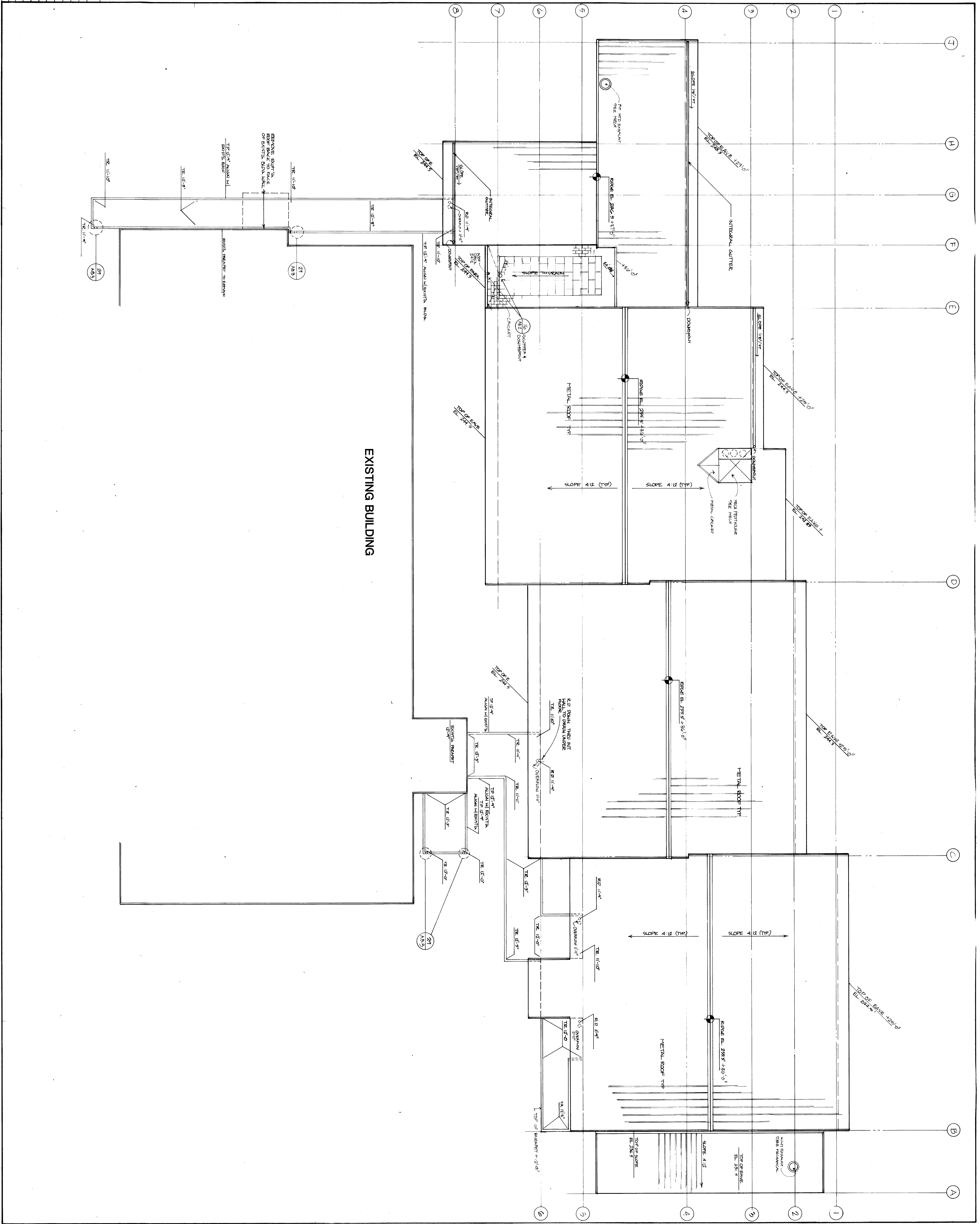
**Partition Schedule**

- 1. NON-RATED
- 2. NON-RATED
- 3. NON-RATED
- 4. NON-RATED
- 5. NON-RATED
- 6. NON-RATED
- 7. NON-RATED
- 8. NON-RATED
- 9. NON-RATED
- 10. NON-RATED
- 11. NON-RATED
- 12. NON-RATED
- 13. NON-RATED
- 14. NON-RATED
- 15. NON-RATED
- 16. NON-RATED
- 17. NON-RATED
- 18. NON-RATED
- 19. NON-RATED
- 20. NON-RATED
- 21. NON-RATED
- 22. NON-RATED
- 23. NON-RATED
- 24. NON-RATED
- 25. NON-RATED
- 26. NON-RATED
- 27. NON-RATED
- 28. NON-RATED
- 29. NON-RATED
- 30. NON-RATED
- 31. NON-RATED
- 32. NON-RATED
- 33. NON-RATED
- 34. NON-RATED
- 35. NON-RATED
- 36. NON-RATED
- 37. NON-RATED
- 38. NON-RATED
- 39. NON-RATED
- 40. NON-RATED
- 41. NON-RATED
- 42. NON-RATED
- 43. NON-RATED
- 44. NON-RATED
- 45. NON-RATED
- 46. NON-RATED
- 47. NON-RATED
- 48. NON-RATED
- 49. NON-RATED
- 50. NON-RATED
- 51. NON-RATED
- 52. NON-RATED
- 53. NON-RATED
- 54. NON-RATED
- 55. NON-RATED
- 56. NON-RATED
- 57. NON-RATED
- 58. NON-RATED
- 59. NON-RATED
- 60. NON-RATED
- 61. NON-RATED
- 62. NON-RATED
- 63. NON-RATED
- 64. NON-RATED
- 65. NON-RATED
- 66. NON-RATED
- 67. NON-RATED
- 68. NON-RATED
- 69. NON-RATED
- 70. NON-RATED
- 71. NON-RATED
- 72. NON-RATED
- 73. NON-RATED
- 74. NON-RATED
- 75. NON-RATED
- 76. NON-RATED
- 77. NON-RATED
- 78. NON-RATED
- 79. NON-RATED
- 80. NON-RATED
- 81. NON-RATED
- 82. NON-RATED
- 83. NON-RATED
- 84. NON-RATED
- 85. NON-RATED
- 86. NON-RATED
- 87. NON-RATED
- 88. NON-RATED
- 89. NON-RATED
- 90. NON-RATED
- 91. NON-RATED
- 92. NON-RATED
- 93. NON-RATED
- 94. NON-RATED
- 95. NON-RATED
- 96. NON-RATED
- 97. NON-RATED
- 98. NON-RATED
- 99. NON-RATED
- 100. NON-RATED

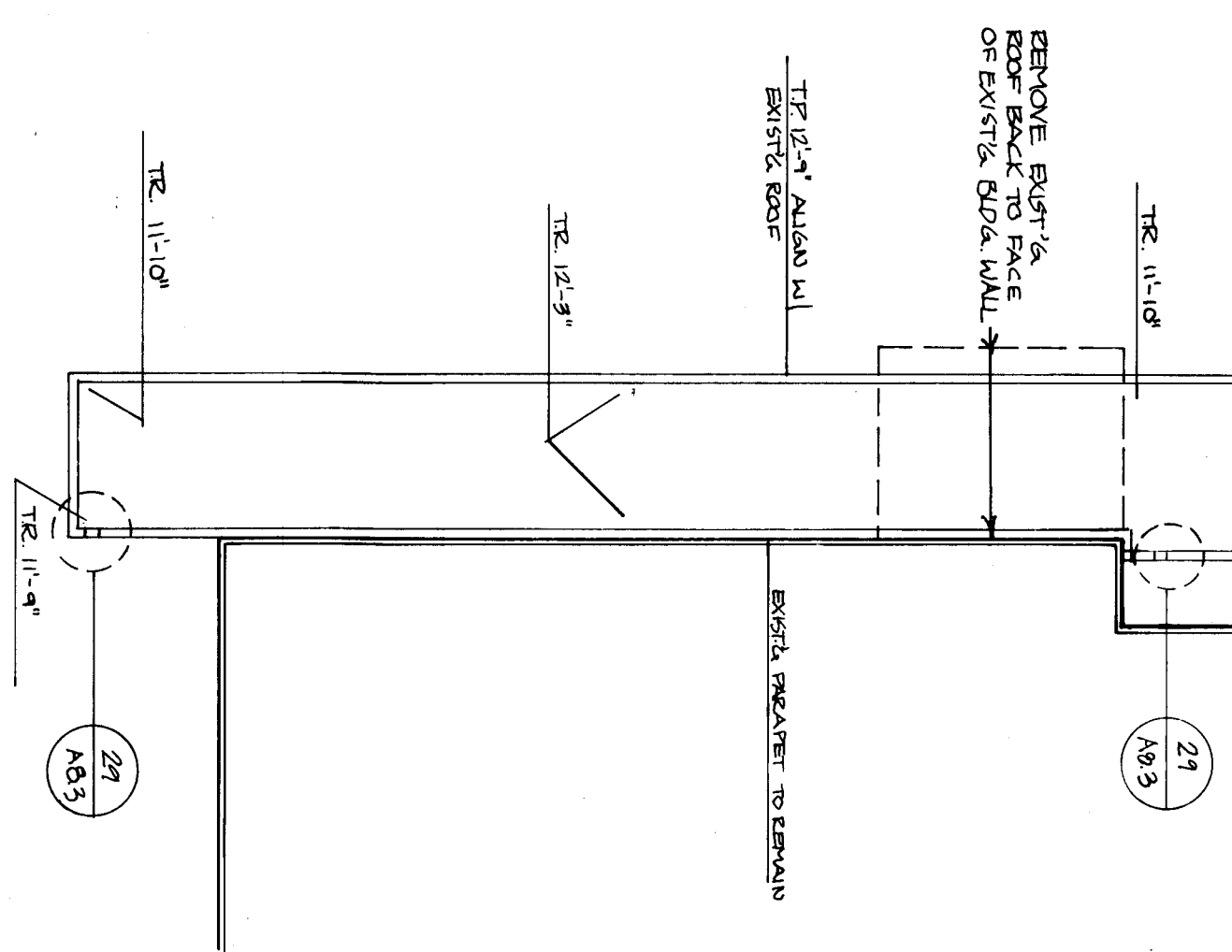
**1 Hour Rated Assembly**

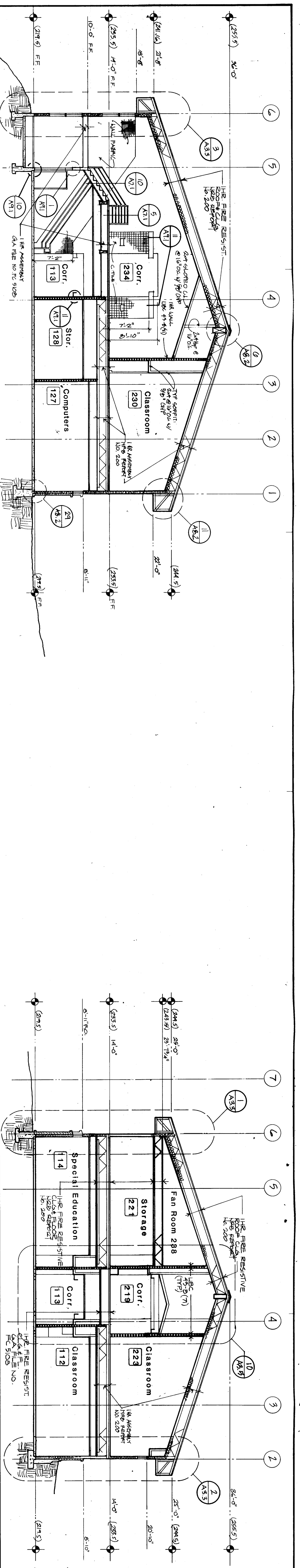
1. 1 1/2" Fire-Rated Gypsum Board on Steel Studs  
2. 5/8" Gypsum Board on Steel Studs  
3. 5/8" Gypsum Board on Steel Studs  
4. 5/8" Gypsum Board on Steel Studs  
5. 5/8" Gypsum Board on Steel Studs  
6. 5/8" Gypsum Board on Steel Studs  
7. 5/8" Gypsum Board on Steel Studs  
8. 5/8" Gypsum Board on Steel Studs  
9. 5/8" Gypsum Board on Steel Studs  
10. 5/8" Gypsum Board on Steel Studs  
11. 5/8" Gypsum Board on Steel Studs  
12. 5/8" Gypsum Board on Steel Studs  
13. 5/8" Gypsum Board on Steel Studs  
14. 5/8" Gypsum Board on Steel Studs  
15. 5/8" Gypsum Board on Steel Studs  
16. 5/8" Gypsum Board on Steel Studs  
17. 5/8" Gypsum Board on Steel Studs  
18. 5/8" Gypsum Board on Steel Studs  
19. 5/8" Gypsum Board on Steel Studs  
20. 5/8" Gypsum Board on Steel Studs  
21. 5/8" Gypsum Board on Steel Studs  
22. 5/8" Gypsum Board on Steel Studs  
23. 5/8" Gypsum Board on Steel Studs  
24. 5/8" Gypsum Board on Steel Studs  
25. 5/8" Gypsum Board on Steel Studs  
26. 5/8" Gypsum Board on Steel Studs  
27. 5/8" Gypsum Board on Steel Studs  
28. 5/8" Gypsum Board on Steel Studs  
29. 5/8" Gypsum Board on Steel Studs  
30. 5/8" Gypsum Board on Steel Studs  
31. 5/8" Gypsum Board on Steel Studs  
32. 5/8" Gypsum Board on Steel Studs  
33. 5/8" Gypsum Board on Steel Studs  
34. 5/8" Gypsum Board on Steel Studs  
35. 5/8" Gypsum Board on Steel Studs  
36. 5/8" Gypsum Board on Steel Studs  
37. 5/8" Gypsum Board on Steel Studs  
38. 5/8" Gypsum Board on Steel Studs  
39. 5/8" Gypsum Board on Steel Studs  
40. 5/8" Gypsum Board on Steel Studs  
41. 5/8" Gypsum Board on Steel Studs  
42. 5/8" Gypsum Board on Steel Studs  
43. 5/8" Gypsum Board on Steel Studs  
44. 5/8" Gypsum Board on Steel Studs  
45. 5/8" Gypsum Board on Steel Studs  
46. 5/8" Gypsum Board on Steel Studs  
47. 5/8" Gypsum Board on Steel Studs  
48. 5/8" Gypsum Board on Steel Studs  
49. 5/8" Gypsum Board on Steel Studs  
50. 5/8" Gypsum Board on Steel Studs  
51. 5/8" Gypsum Board on Steel Studs  
52. 5/8" Gypsum Board on Steel Studs  
53. 5/8" Gypsum Board on Steel Studs  
54. 5/8" Gypsum Board on Steel Studs  
55. 5/8" Gypsum Board on Steel Studs  
56. 5/8" Gypsum Board on Steel Studs  
57. 5/8" Gypsum Board on Steel Studs  
58. 5/8" Gypsum Board on Steel Studs  
59. 5/8" Gypsum Board on Steel Studs  
60. 5/8" Gypsum Board on Steel Studs  
61. 5/8" Gypsum Board on Steel Studs  
62. 5/8" Gypsum Board on Steel Studs  
63. 5/8" Gypsum Board on Steel Studs  
64. 5/8" Gypsum Board on Steel Studs  
65. 5/8" Gypsum Board on Steel Studs  
66. 5/8" Gypsum Board on Steel Studs  
67. 5/8" Gypsum Board on Steel Studs  
68. 5/8" Gypsum Board on Steel Studs  
69. 5/8" Gypsum Board on Steel Studs  
70. 5/8" Gypsum Board on Steel Studs  
71. 5/8" Gypsum Board on Steel Studs  
72. 5/8" Gypsum Board on Steel Studs  
73. 5/8" Gypsum Board on Steel Studs  
74. 5/8" Gypsum Board on Steel Studs  
75. 5/8" Gypsum Board on Steel Studs  
76. 5/8" Gypsum Board on Steel Studs  
77. 5/8" Gypsum Board on Steel Studs  
78. 5/8" Gypsum Board on Steel Studs  
79. 5/8" Gypsum Board on Steel Studs  
80. 5/8" Gypsum Board on Steel Studs  
81. 5/8" Gypsum Board on Steel Studs  
82. 5/8" Gypsum Board on Steel Studs  
83. 5/8" Gypsum Board on Steel Studs  
84. 5/8" Gypsum Board on Steel Studs  
85. 5/8" Gypsum Board on Steel Studs  
86. 5/8" Gypsum Board on Steel Studs  
87. 5/8" Gypsum Board on Steel Studs  
88. 5/8" Gypsum Board on Steel Studs  
89. 5/8" Gypsum Board on Steel Studs  
90. 5/8" Gypsum Board on Steel Studs  
91. 5/8" Gypsum Board on Steel Studs  
92. 5/8" Gypsum Board on Steel Studs  
93. 5/8" Gypsum Board on Steel Studs  
94. 5/8" Gypsum Board on Steel Studs  
95. 5/8" Gypsum Board on Steel Studs  
96. 5/8" Gypsum Board on Steel Studs  
97. 5/8" Gypsum Board on Steel Studs  
98. 5/8" Gypsum Board on Steel Studs  
99. 5/8" Gypsum Board on Steel Studs  
100. 5/8" Gypsum Board on Steel Studs

JOB NO. 349  
DRAWN BY:  
TITLE:  
**Second Floor Plan**  
**1/8" = 1'-0"**  
SHEET NO. **A.2.2**  
DATE: June 15, 1984

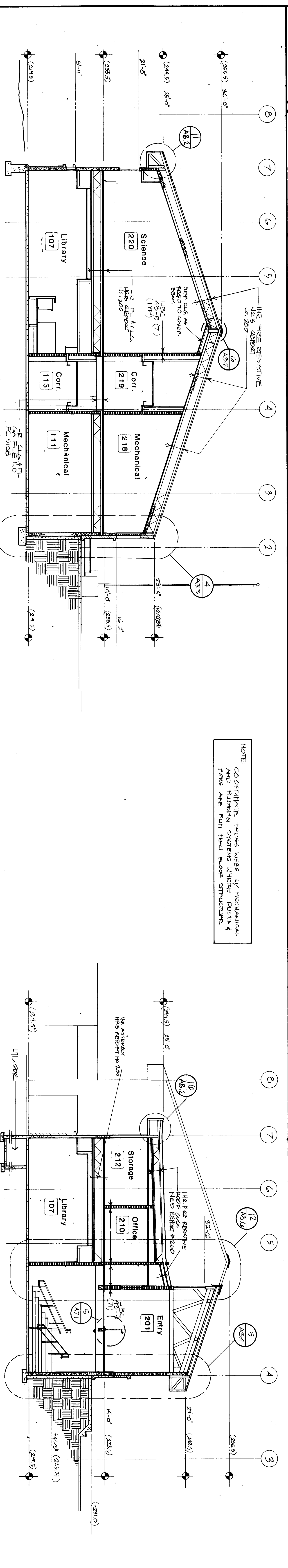


EXISTING BUILDING

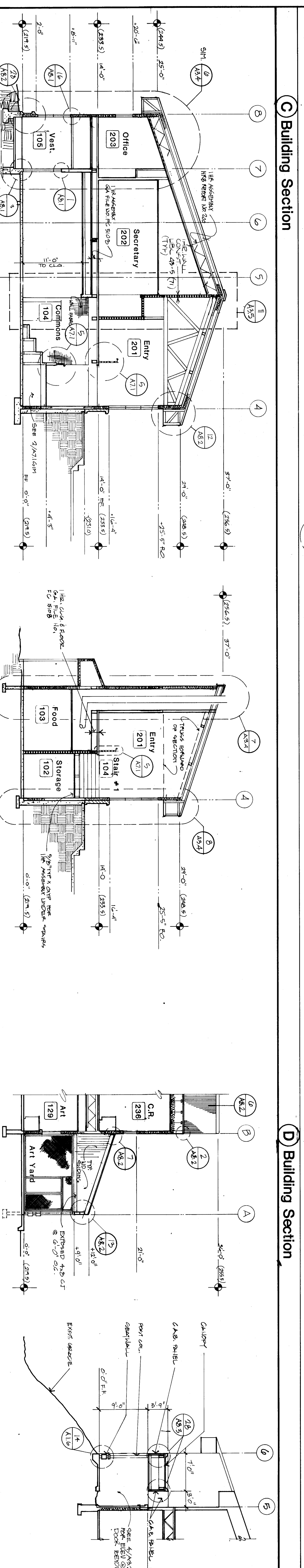




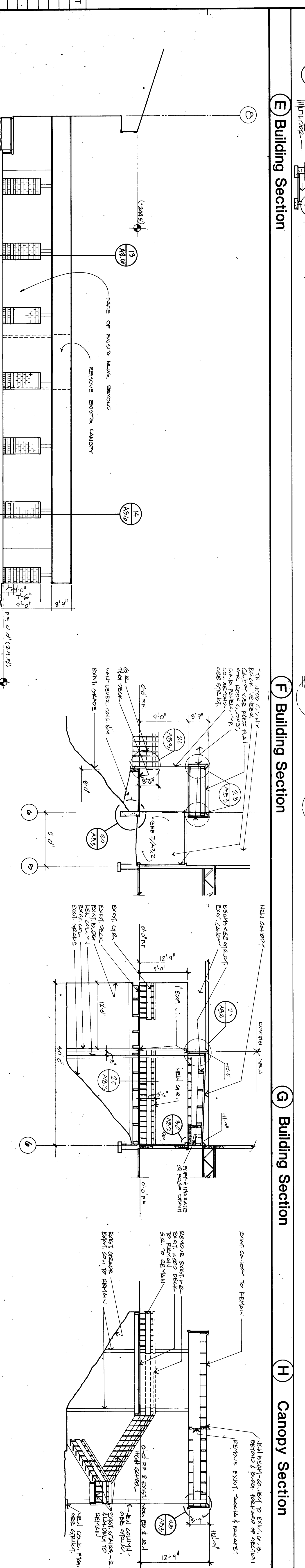
A) Building Section



B) Building Section

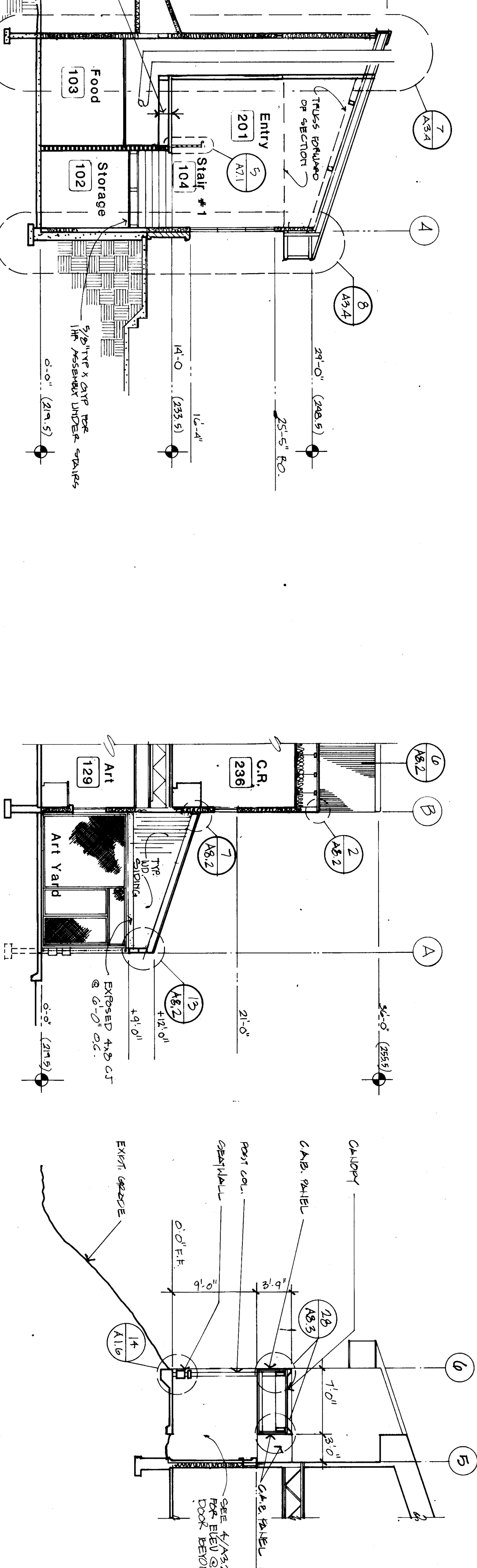


C) Building Section

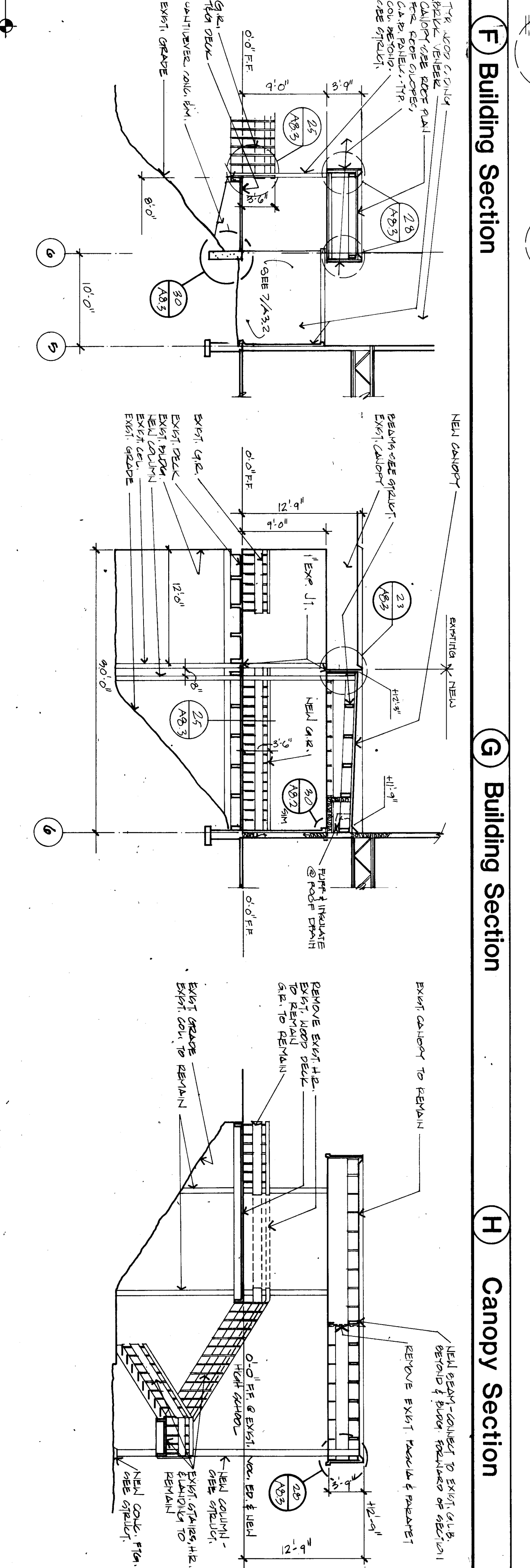


D) Building Section

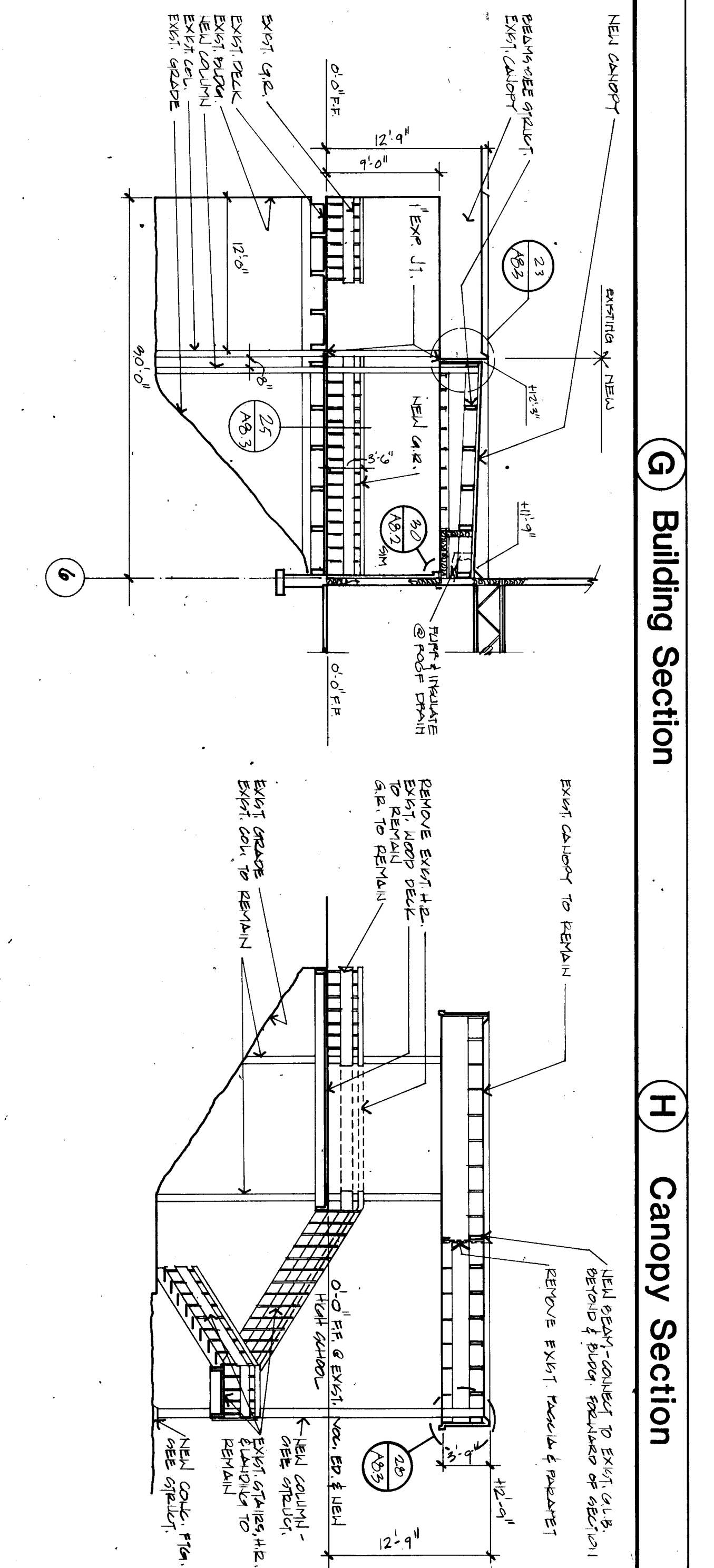
NOTE:  
COORDINATE TRUSS MEMBERS, MECHANICAL AND PLUMBING SYSTEMS ABOVE STUDS # 1 AND #2 WITH TRUSS MEMBER STRUCTURE.



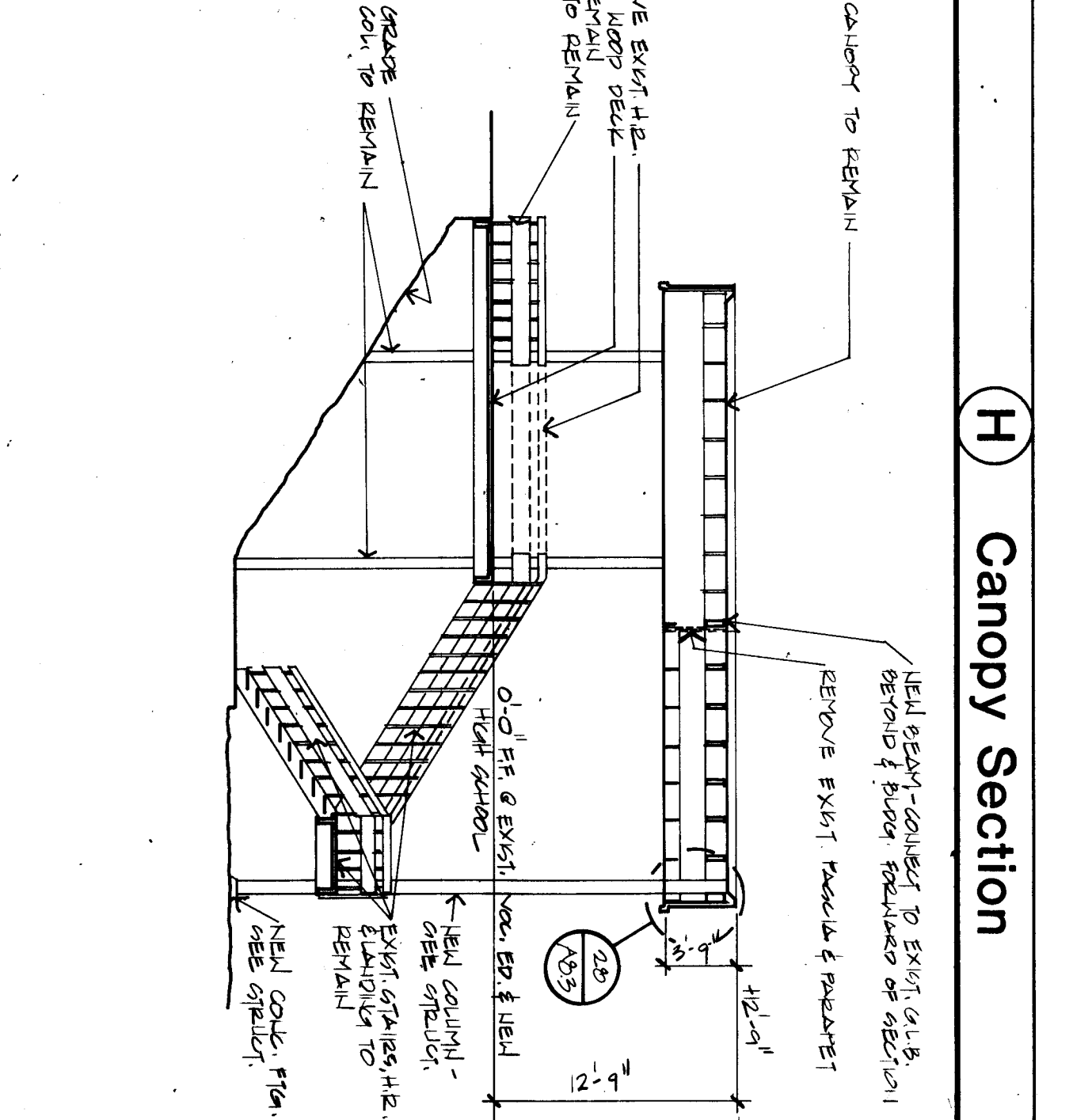
E) Building Section



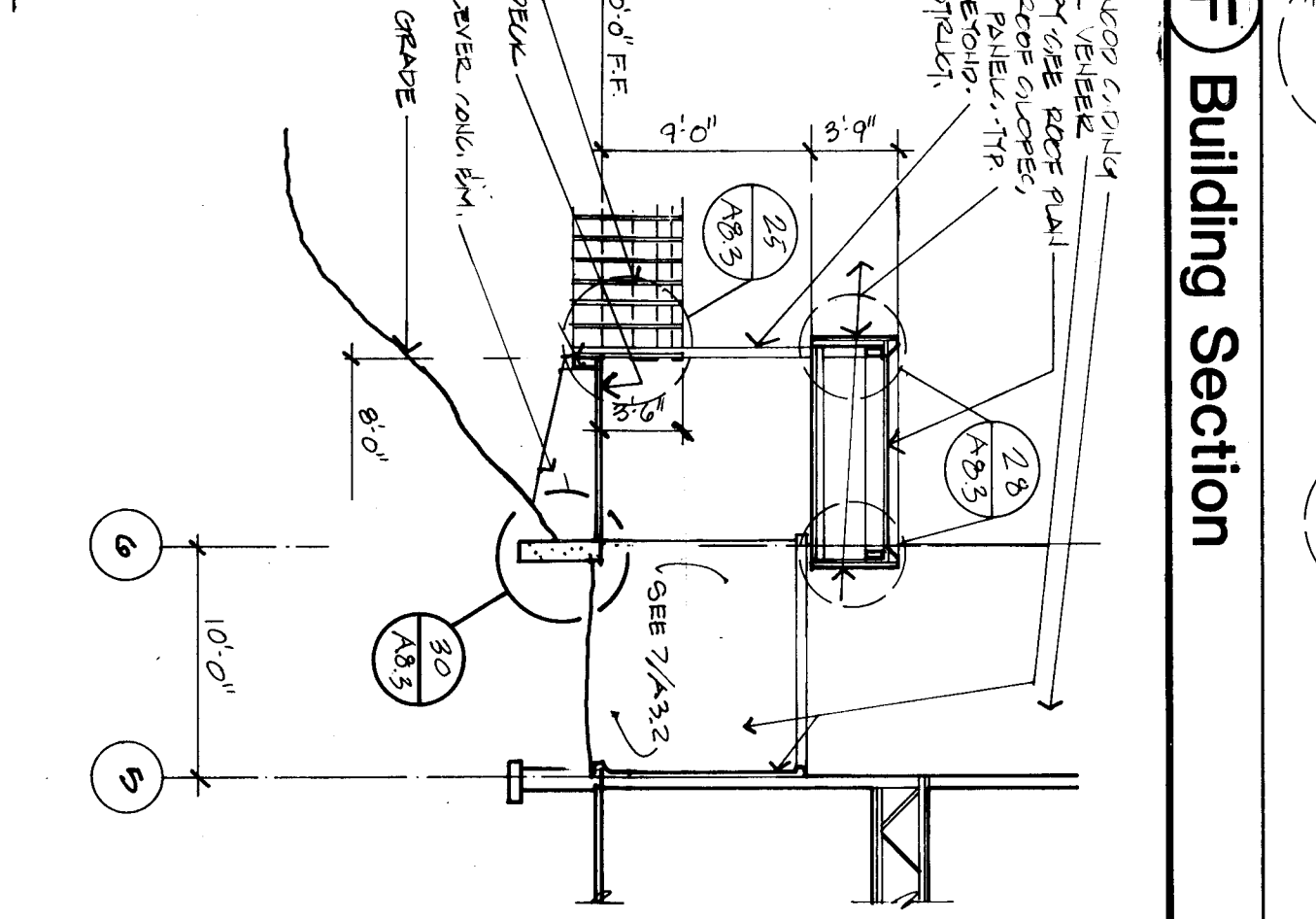
F) Building Section



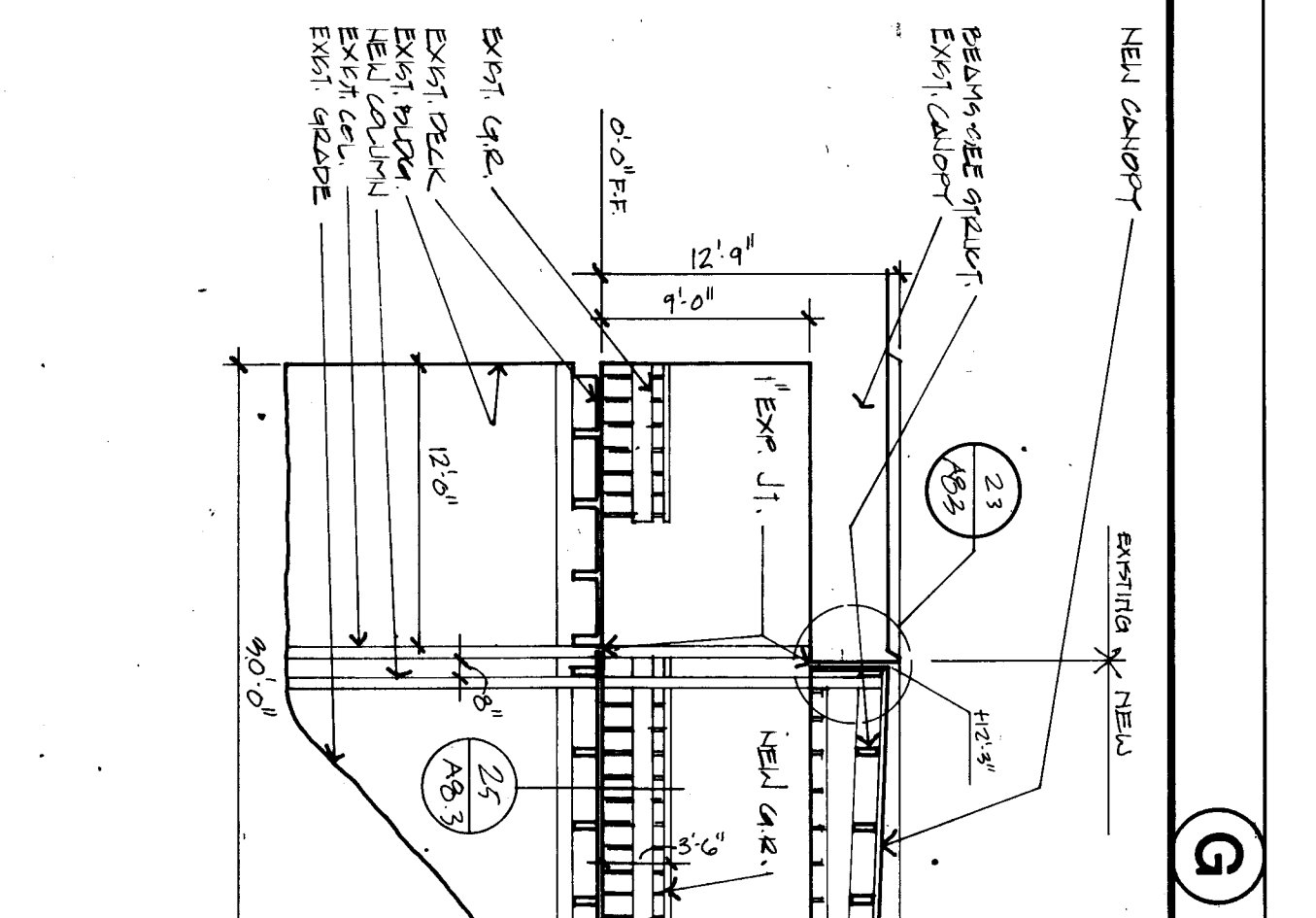
G) Building Section



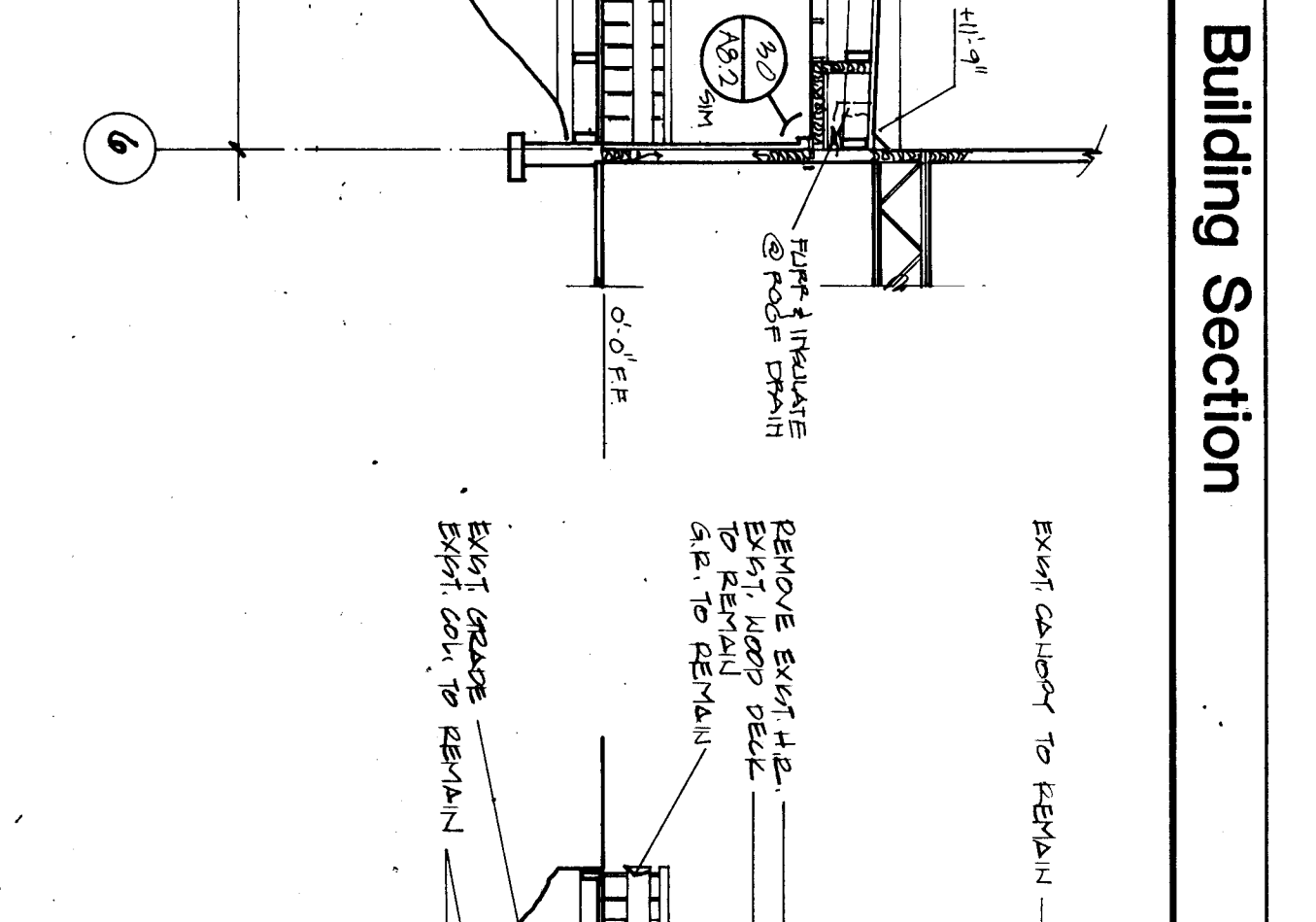
H) Canopy Section



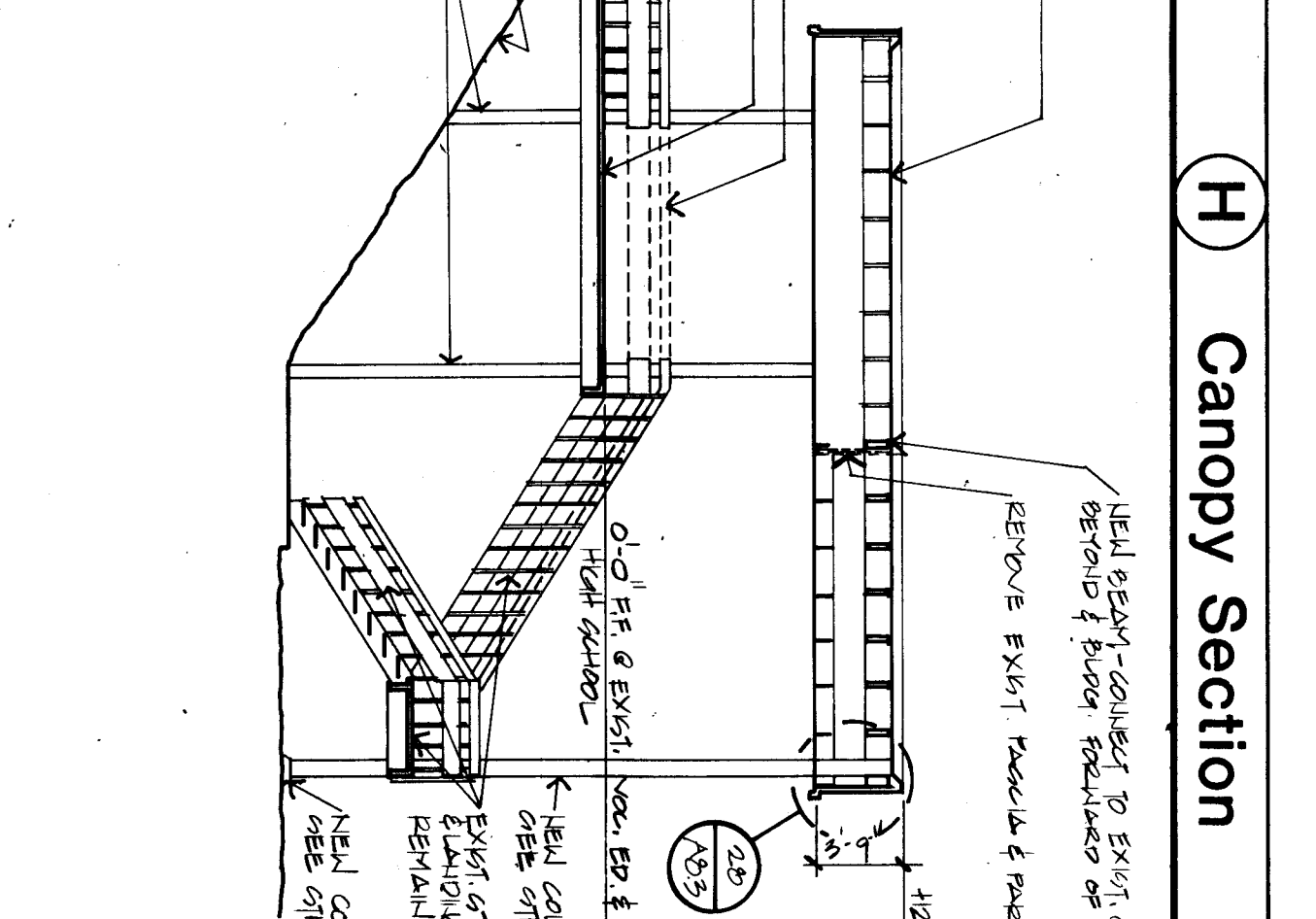
I) Canopy Section



J) Canopy Section



K) Canopy Section



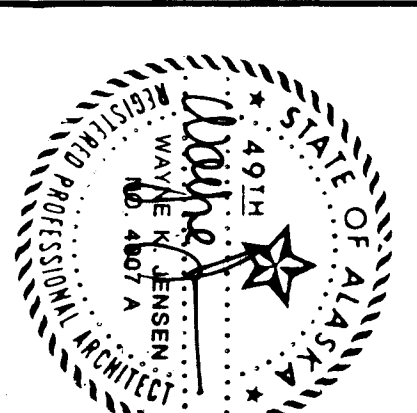
L) Canopy Section

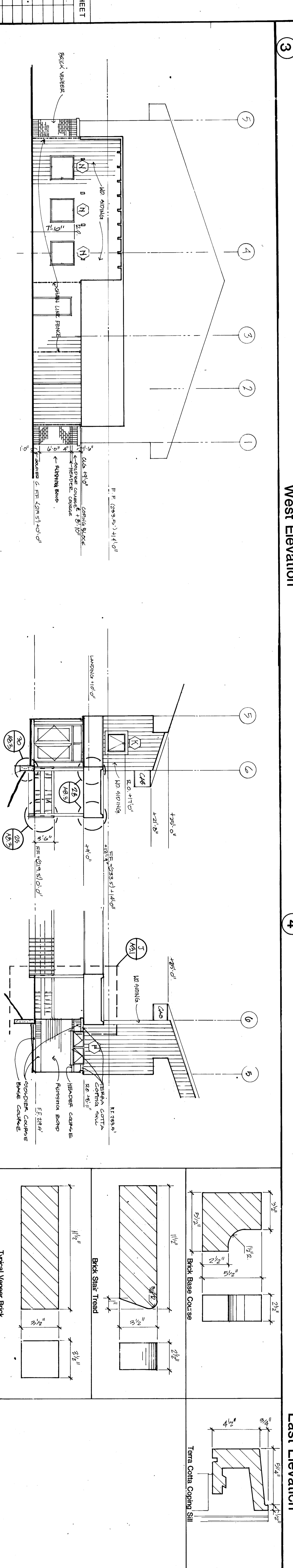
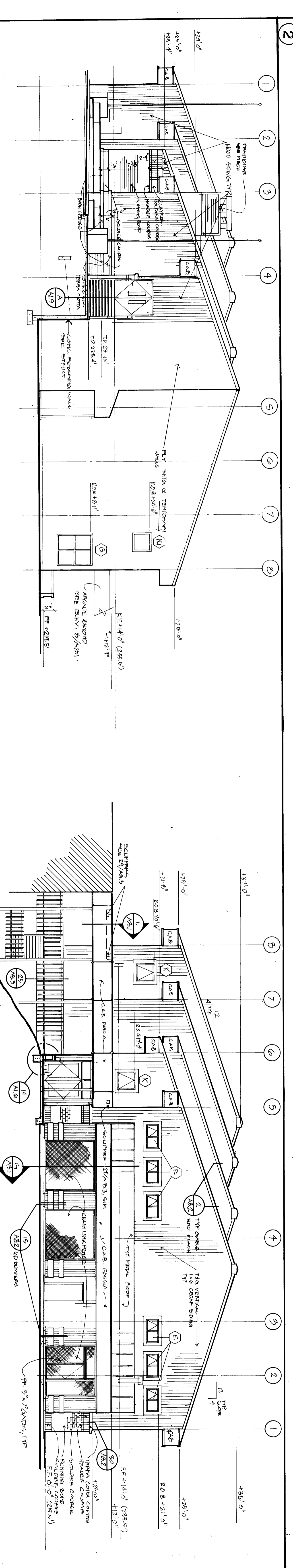
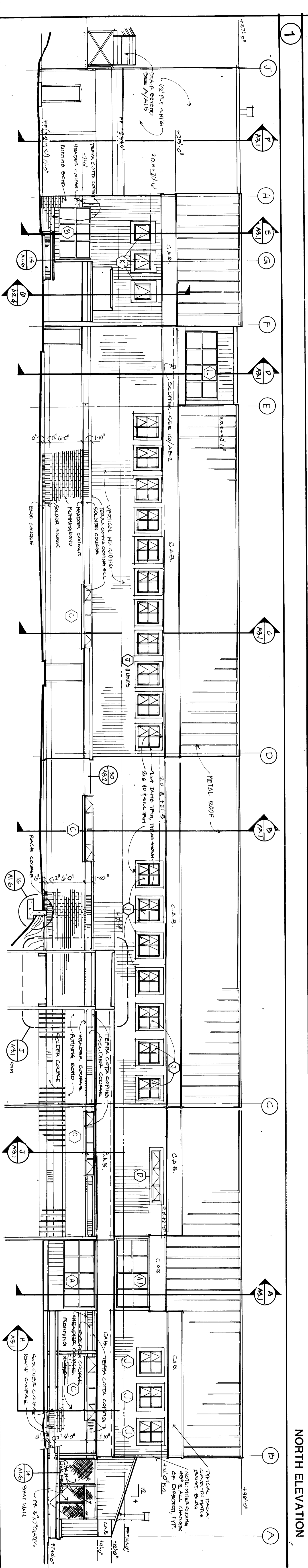
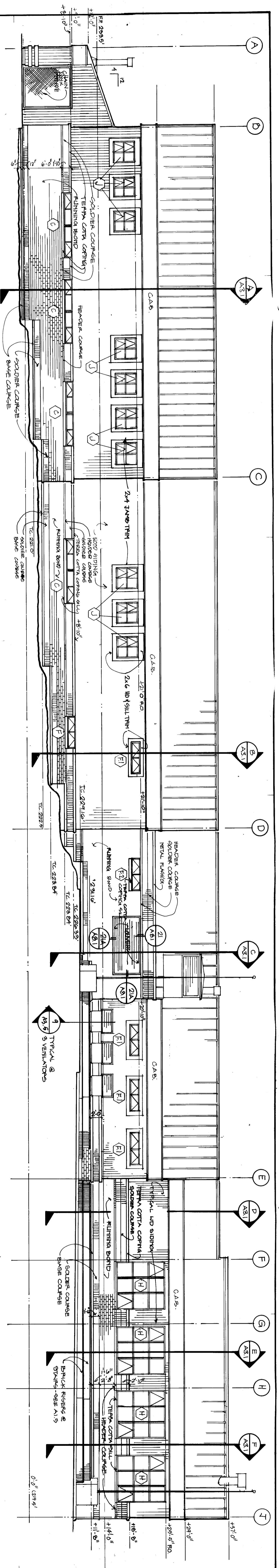
8 West Plaza Elevation

J Canopy Section

K Canopy Section

L Canopy Section





ackley  
jensen  
architects inc  
p.o. box 310, Juneau, Alaska, 99801

**Exterior Finishes Legend**  
 Wood Siding: 1/2" x 6" Siding  
 2 x 4 and 2 x 6 window trim and wood casings  
 Metal Flashing  
 Window Frames: Prefinished to match wood  
 Doors and metal frames: Prefinished to match wood  
 Brick veneer: 011 wood preservative  
 Expanded steel mesh/insulation: Clear water  
 Cast-in-place concrete: Seal-glass  
 Cast-in-place concrete: Seal-glass  
 Roof mounted mechanical equipment: To match roof



WRANGELL  
HIGH SCHOOL  
 JOB NO.: 349  
 DRAWN BY:  
 TITLE:  
 Exterior Elevations  
 SHEET NO.:  
 A3.2  
 DATE: June 15, 1984

SHEET  
 TL

Partial Elevation  
 Partial Elevation  
 Partial Elevation  
 Typical Veneer Components

Partial Elevation  
 Partial Elevation  
 Partial Elevation  
 Typical Veneer Components

Partial Elevation  
 Partial Elevation  
 Partial Elevation  
 Typical Veneer Components

Partial Elevation  
 Partial Elevation  
 Partial Elevation  
 Typical Veneer Components

Partial Elevation  
 Partial Elevation  
 Partial Elevation  
 Typical Veneer Components

Partial Elevation  
 Partial Elevation  
 Partial Elevation  
 Typical Veneer Components

Partial Elevation  
 Partial Elevation  
 Partial Elevation  
 Typical Veneer Components

Partial Elevation  
 Partial Elevation  
 Partial Elevation  
 Typical Veneer Components

Partial Elevation  
 Partial Elevation  
 Partial Elevation  
 Typical Veneer Components

Partial Elevation  
 Partial Elevation  
 Partial Elevation  
 Typical Veneer Components

Partial Elevation  
 Partial Elevation  
 Partial Elevation  
 Typical Veneer Components

Partial Elevation  
 Partial Elevation  
 Partial Elevation  
 Typical Veneer Components

Partial Elevation  
 Partial Elevation  
 Partial Elevation  
 Typical Veneer Components

Partial Elevation  
 Partial Elevation  
 Partial Elevation  
 Typical Veneer Components

Partial Elevation  
 Partial Elevation  
 Partial Elevation  
 Typical Veneer Components

Partial Elevation  
 Partial Elevation  
 Partial Elevation  
 Typical Veneer Components

Partial Elevation  
 Partial Elevation  
 Partial Elevation  
 Typical Veneer Components

Partial Elevation  
 Partial Elevation  
 Partial Elevation  
 Typical Veneer Components

Partial Elevation  
 Partial Elevation  
 Partial Elevation  
 Typical Veneer Components

Partial Elevation  
 Partial Elevation  
 Partial Elevation  
 Typical Veneer Components

Partial Elevation  
 Partial Elevation  
 Partial Elevation  
 Typical Veneer Components

Partial Elevation  
 Partial Elevation  
 Partial Elevation  
 Typical Veneer Components

Partial Elevation  
 Partial Elevation  
 Partial Elevation  
 Typical Veneer Components

Partial Elevation  
 Partial Elevation  
 Partial Elevation  
 Typical Veneer Components

Partial Elevation  
 Partial Elevation  
 Partial Elevation  
 Typical Veneer Components

Partial Elevation  
 Partial Elevation  
 Partial Elevation  
 Typical Veneer Components

Partial Elevation  
 Partial Elevation  
 Partial Elevation  
 Typical Veneer Components

Partial Elevation  
 Partial Elevation  
 Partial Elevation  
 Typical Veneer Components

Partial Elevation  
 Partial Elevation  
 Partial Elevation  
 Typical Veneer Components

Partial Elevation  
 Partial Elevation  
 Partial Elevation  
 Typical Veneer Components

Partial Elevation  
 Partial Elevation  
 Partial Elevation  
 Typical Veneer Components

Partial Elevation  
 Partial Elevation  
 Partial Elevation  
 Typical Veneer Components

Partial Elevation  
 Partial Elevation  
 Partial Elevation  
 Typical Veneer Components

Partial Elevation  
 Partial Elevation  
 Partial Elevation  
 Typical Veneer Components

Partial Elevation  
 Partial Elevation  
 Partial Elevation  
 Typical Veneer Components

Partial Elevation  
 Partial Elevation  
 Partial Elevation  
 Typical Veneer Components

Partial Elevation  
 Partial Elevation  
 Partial Elevation  
 Typical Veneer Components

Partial Elevation  
 Partial Elevation  
 Partial Elevation  
 Typical Veneer Components

Partial Elevation  
 Partial Elevation  
 Partial Elevation  
 Typical Veneer Components

Partial Elevation  
 Partial Elevation  
 Partial Elevation  
 Typical Veneer Components

Partial Elevation  
 Partial Elevation  
 Partial Elevation  
 Typical Veneer Components

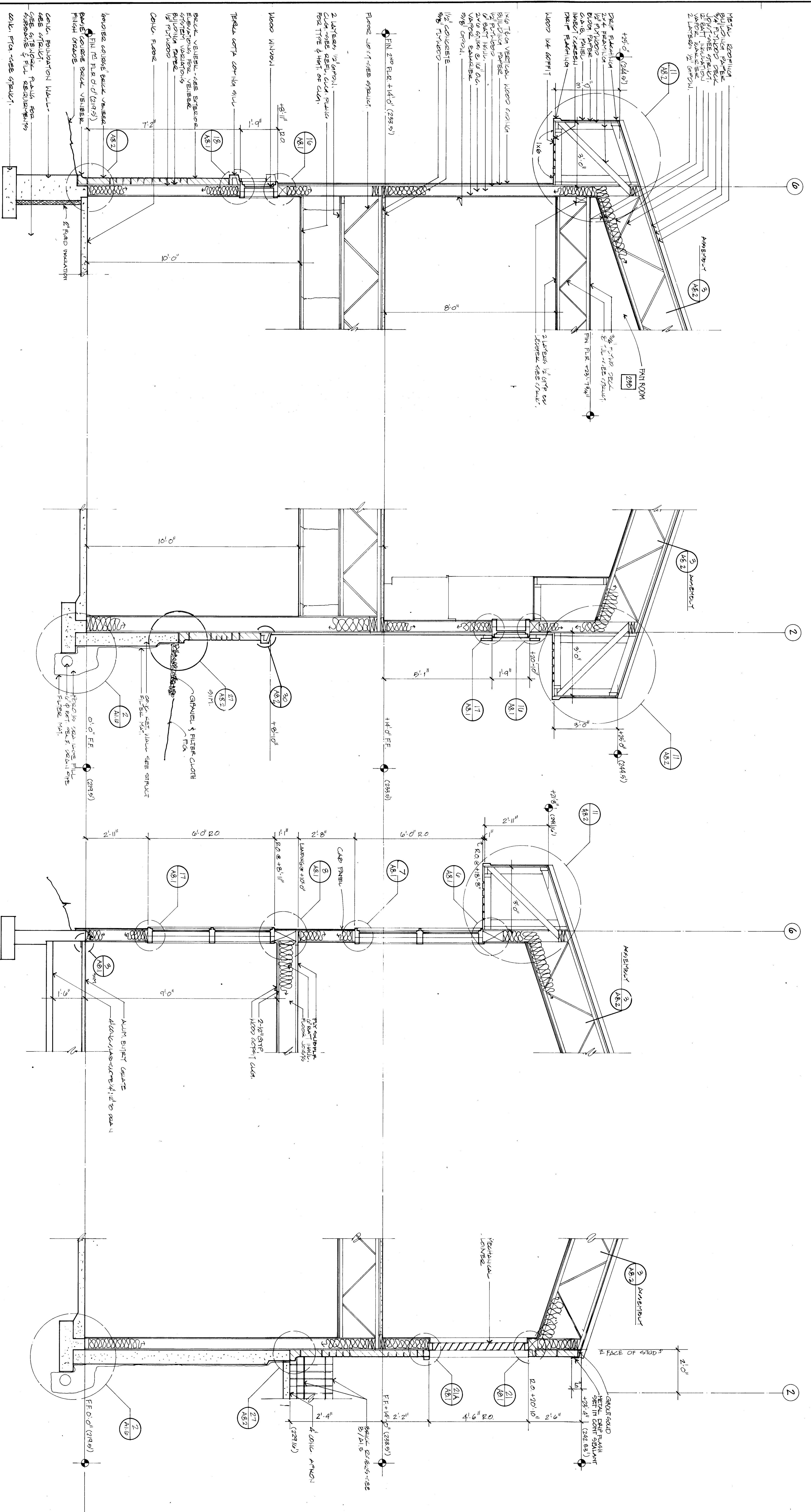
Partial Elevation  
 Partial Elevation  
 Partial Elevation  
 Typical Veneer Components

Partial Elevation  
 Partial Elevation  
 Partial Elevation  
 Typical Veneer Components

Partial Elevation  
 Partial Elevation  
 Partial Elevation  
 Typical Veneer Components

Partial Elevation  
 Partial Elevation  
 Partial Elevation  
 Typical Veneer Components

Partial Elevation  
 Partial Elevation  
 Partial Elevation  
 Typical Veneer Components



**1** Wall Section

**2** Wall Section  
See 1/A3.3 For Typical Info. Not Noted

**3** Wall Section  
See 1/A3.3 For Typical Info. Not Noted

**4** Wall Section  
See 1/A3.3 For Typical Info. Not Noted

**WRANGELL  
HIGH SCHOOL**



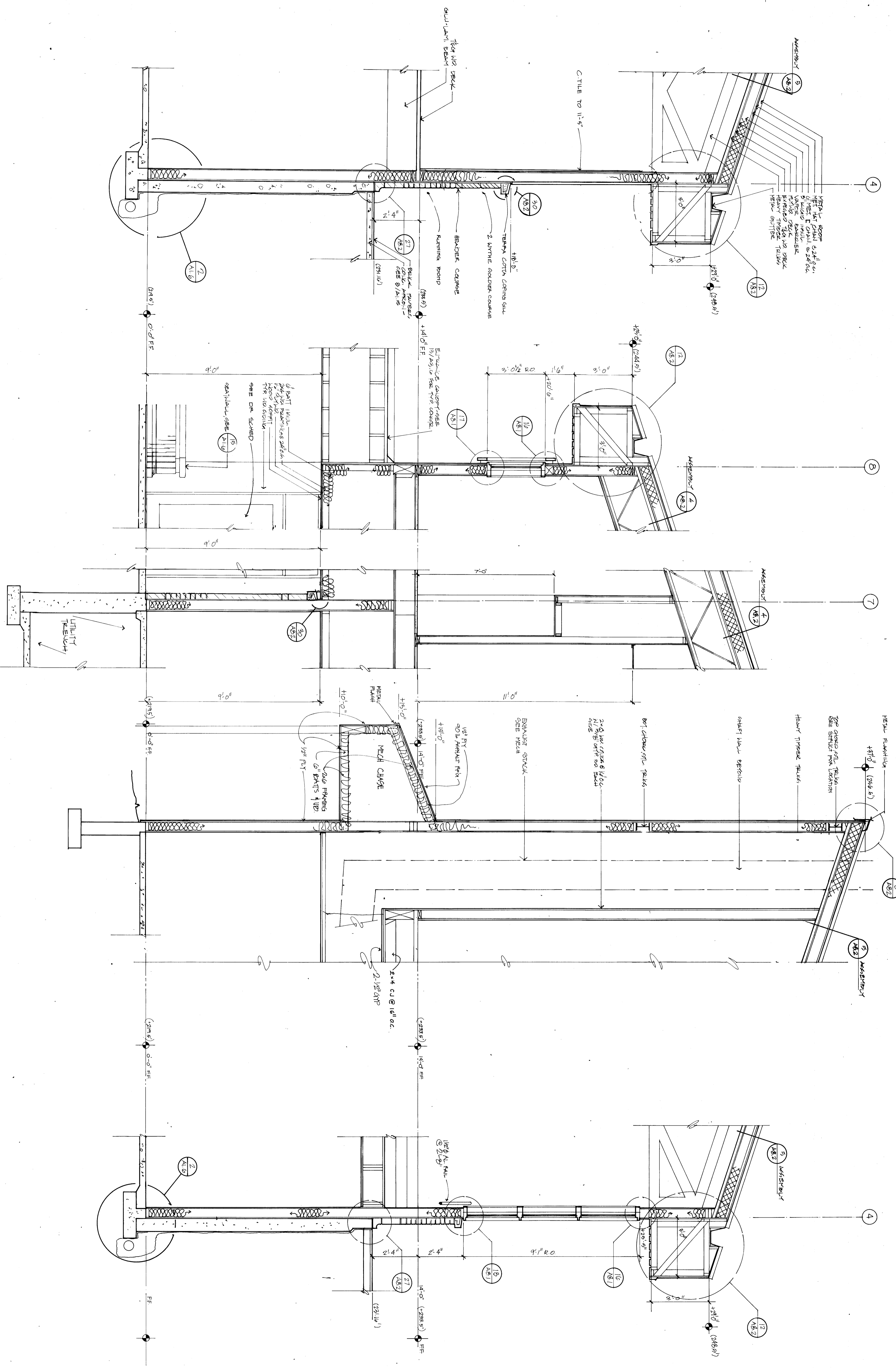
JOB NO. : 349  
DRAWN BY : M.A.F.  
TITLE :  
**Wall Sections**  
**1/2" x 1'-0"**  
SHEET NO. :  
**A3.3**  
DATE : June 15, 1984

**5 Wall Section**  
See 1/A3.3 For Typical Info. Not Noted

**6 Wall Section**  
See 1/A3.3 For Typical Info. Not Noted

**7 Wall Section**  
See 1/A3.3 For Typical Info. Not Noted

**8 Wall Section**  
See 1/A3.3 For Typical Info. Not Noted



WRANGELL  
HIGH SCHOOL

JOB NO. : 349  
DRAWN BY : MAF  
TITLE :  
Wall Sections  
1/2"=1'-0"

A3.4

DATE : June 15, 1984

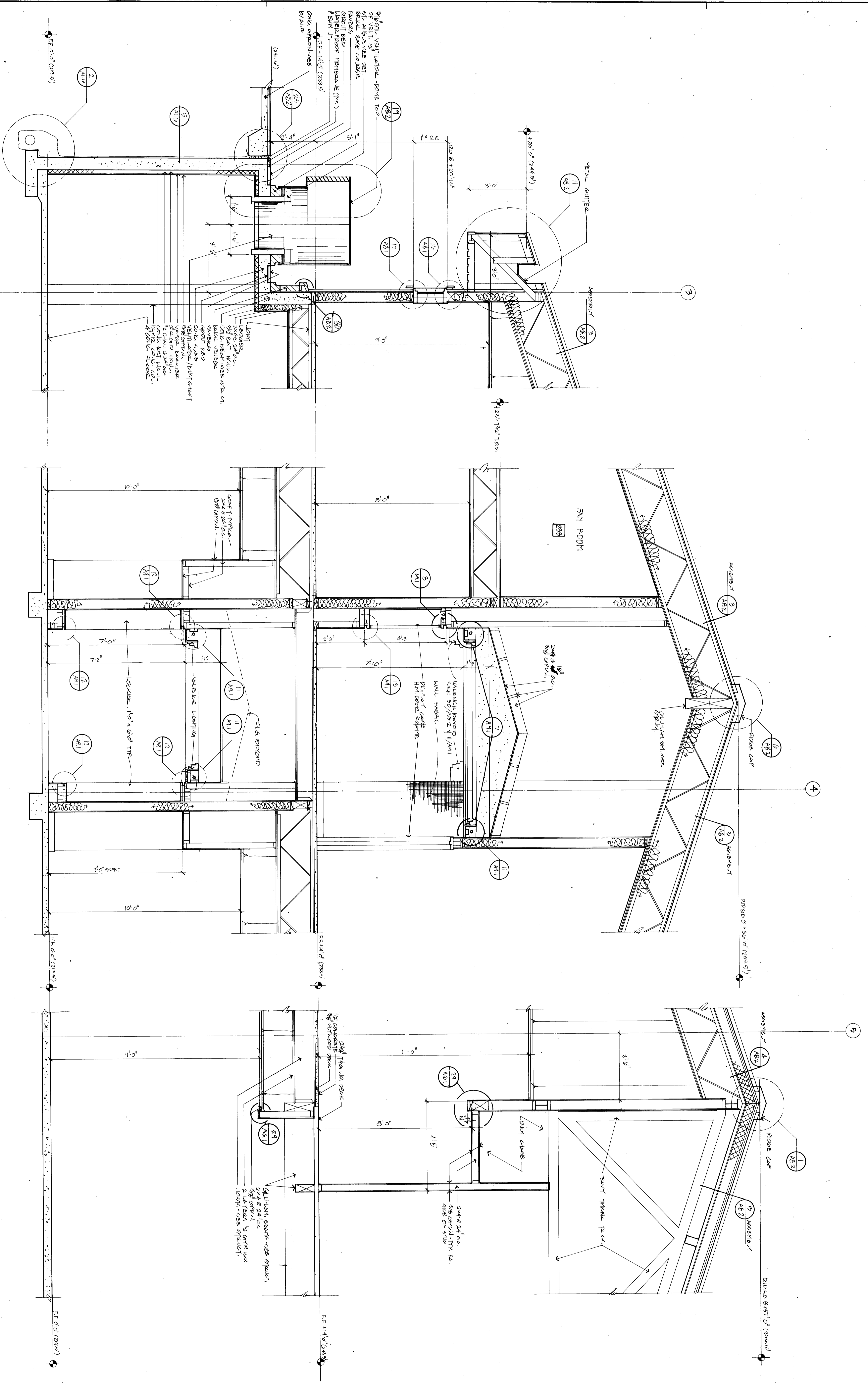
**ackley  
jensen  
architects inc**  
P.O. Box 310, JUNEAU, ALASKA, 99801



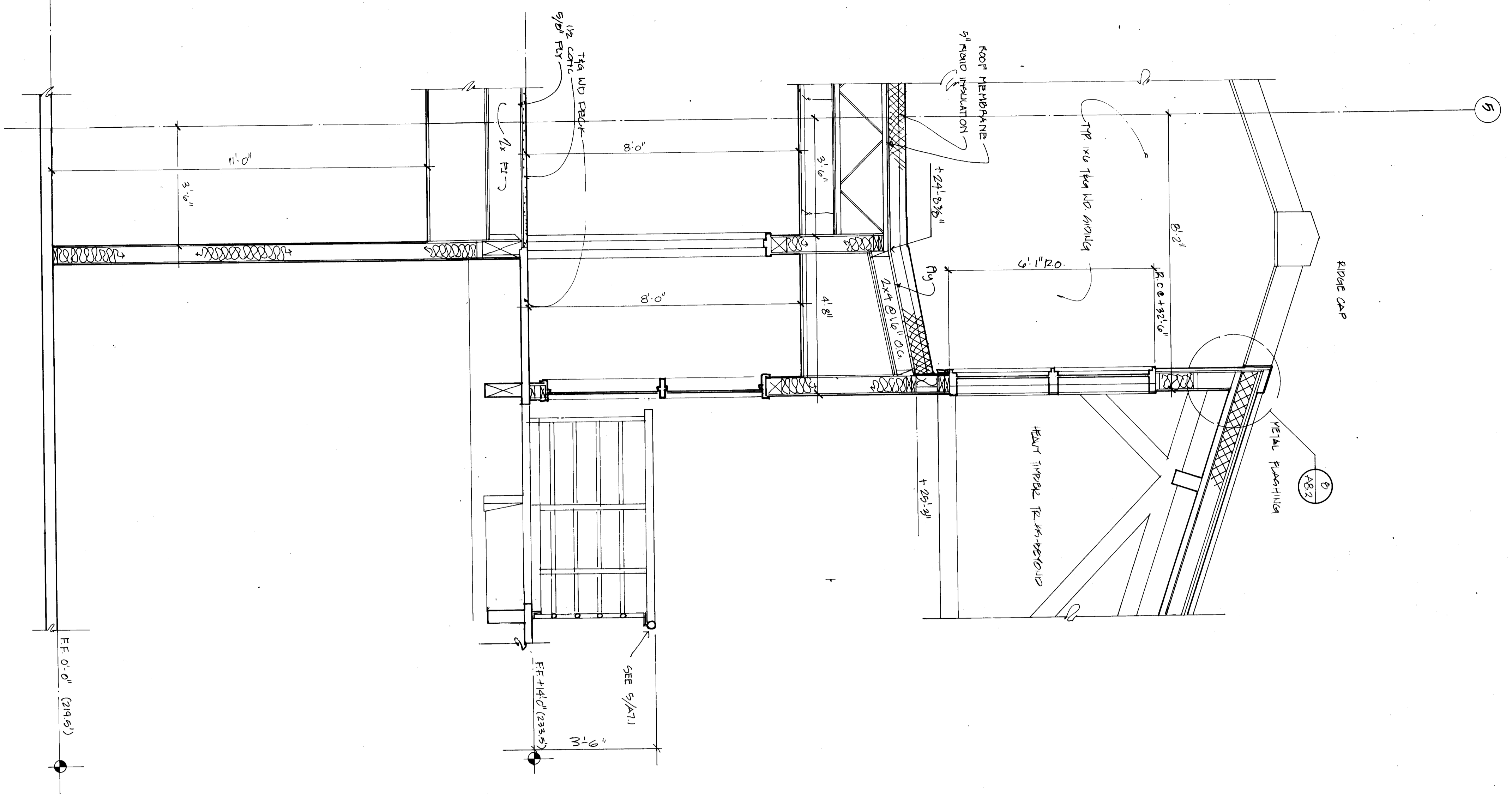
**WRANGELL  
HIGH SCHOOL**

JOB NO.: 349  
DRAWN BY: P.A.F.  
TITLE:  
**Wall Sections**  
1/2" = 1'-0"

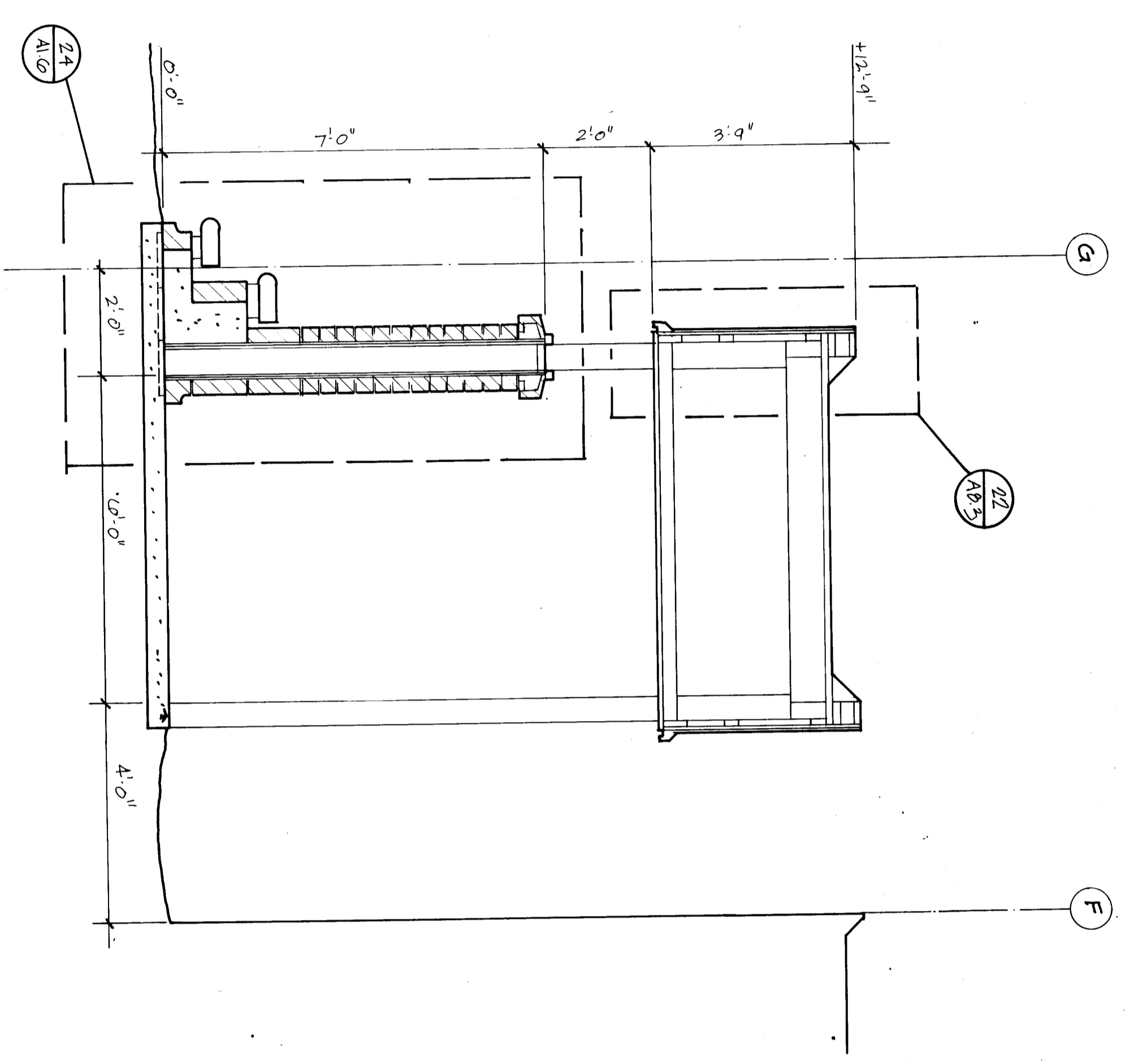
SHEET NO.:  
**A3.5**  
DATE: June 15, 1984



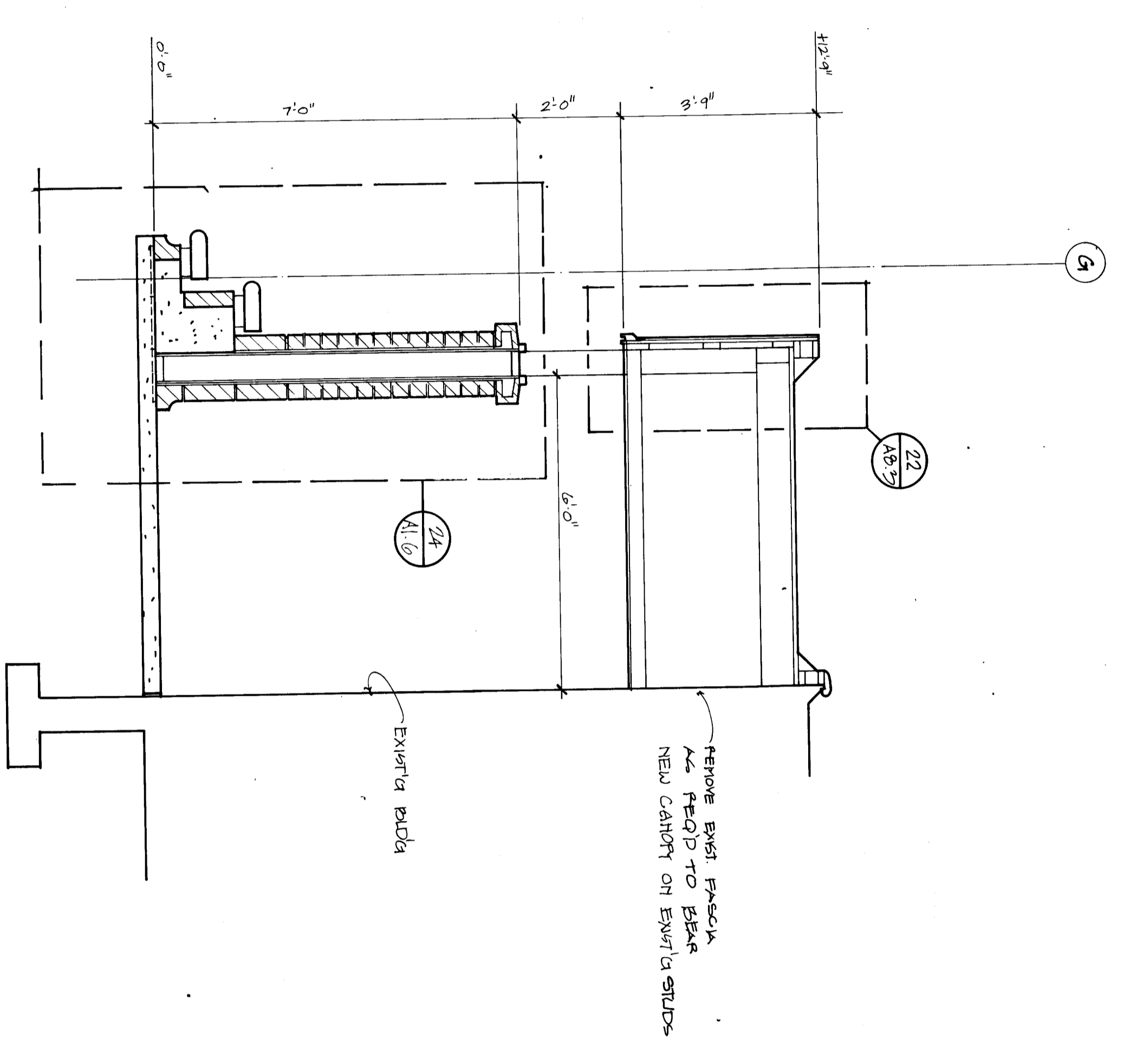




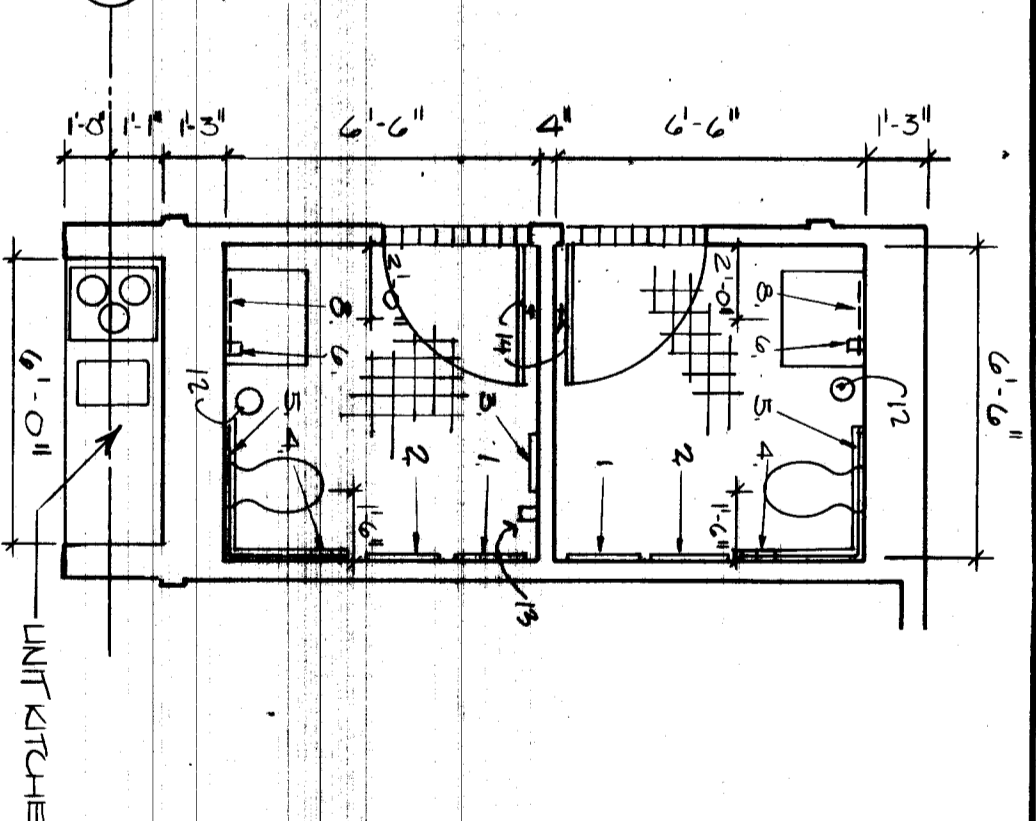
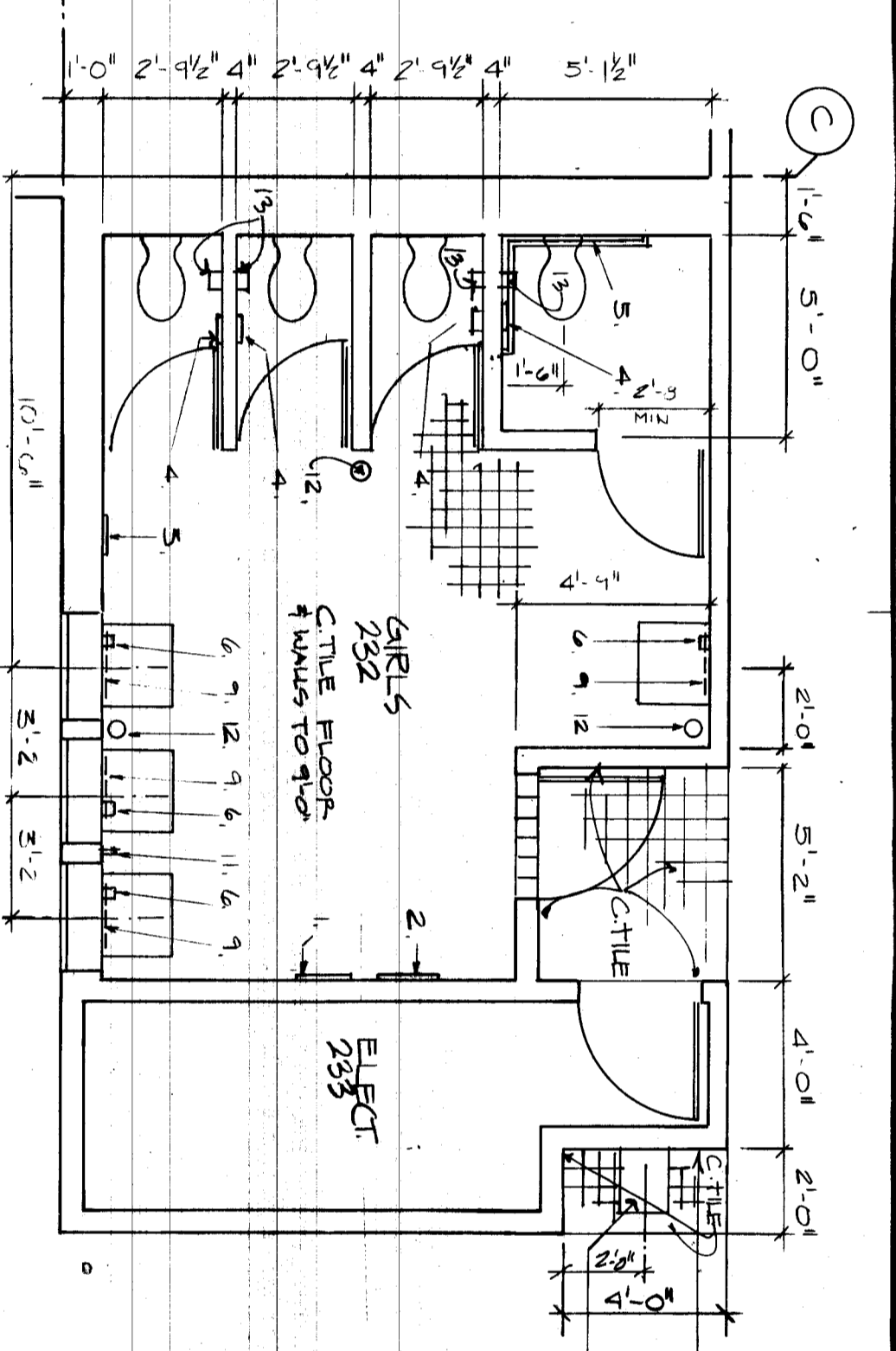
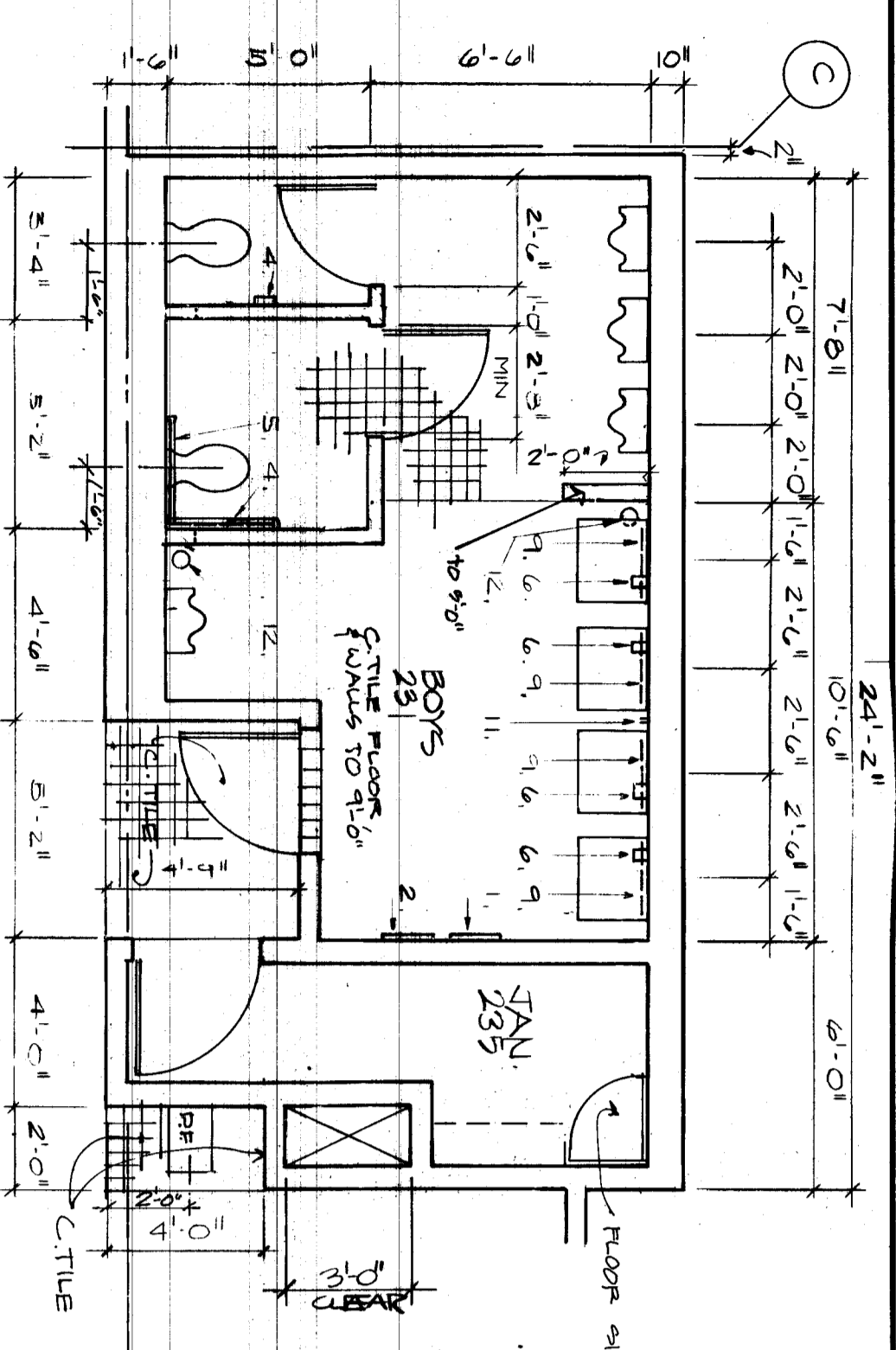
12 Wall Section



13 Canopy Section



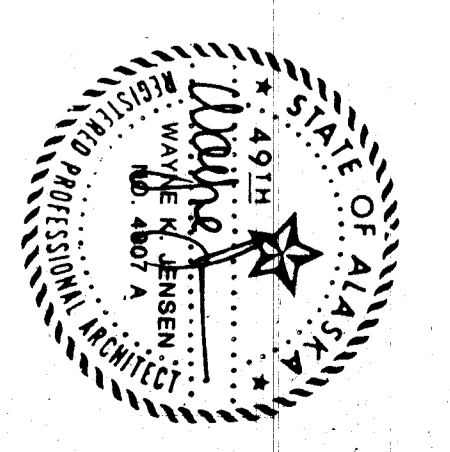
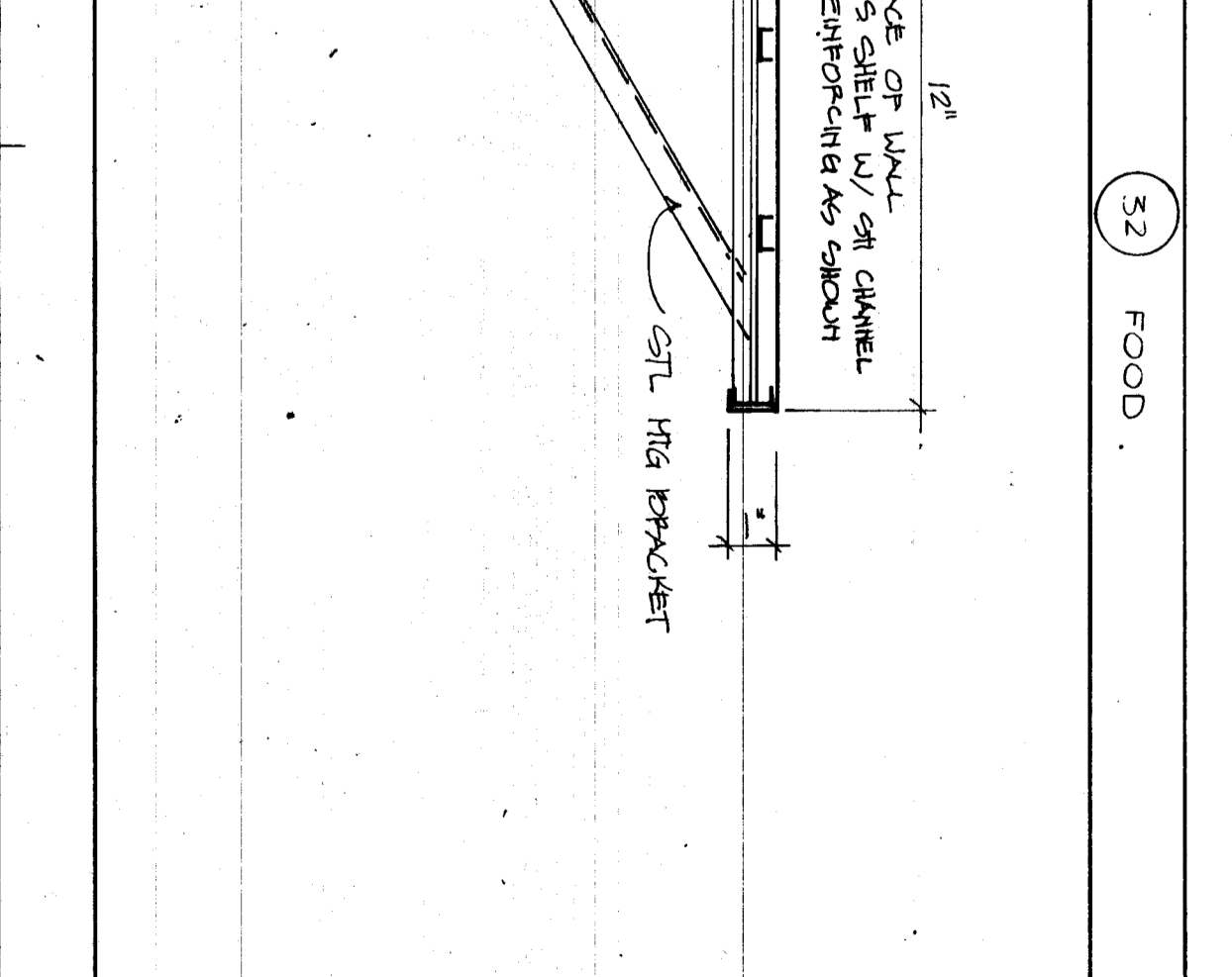
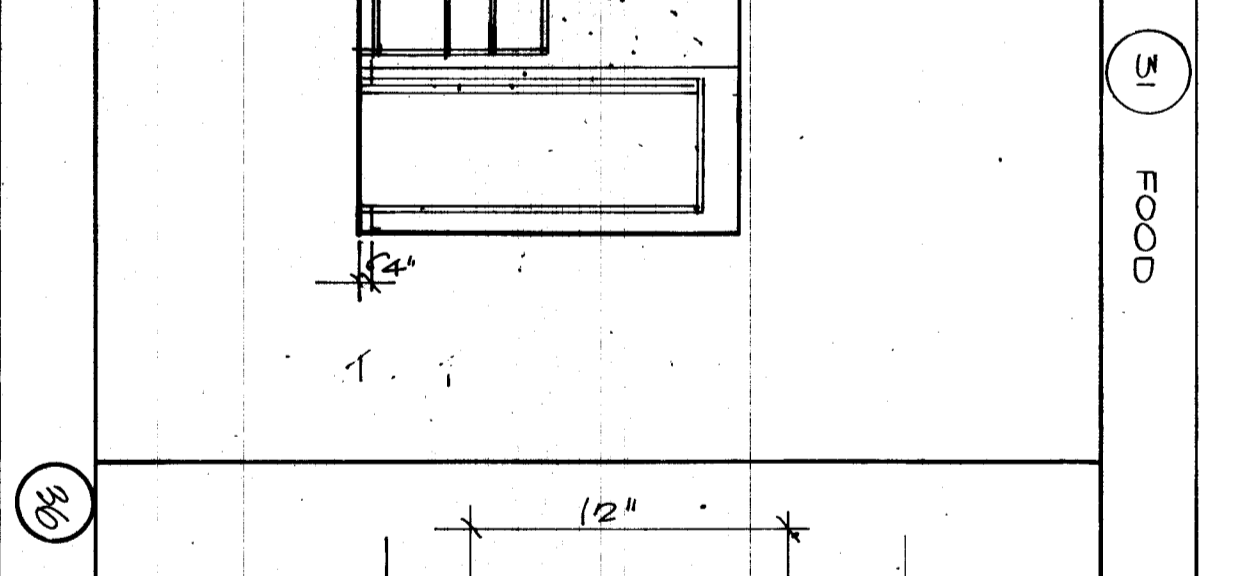
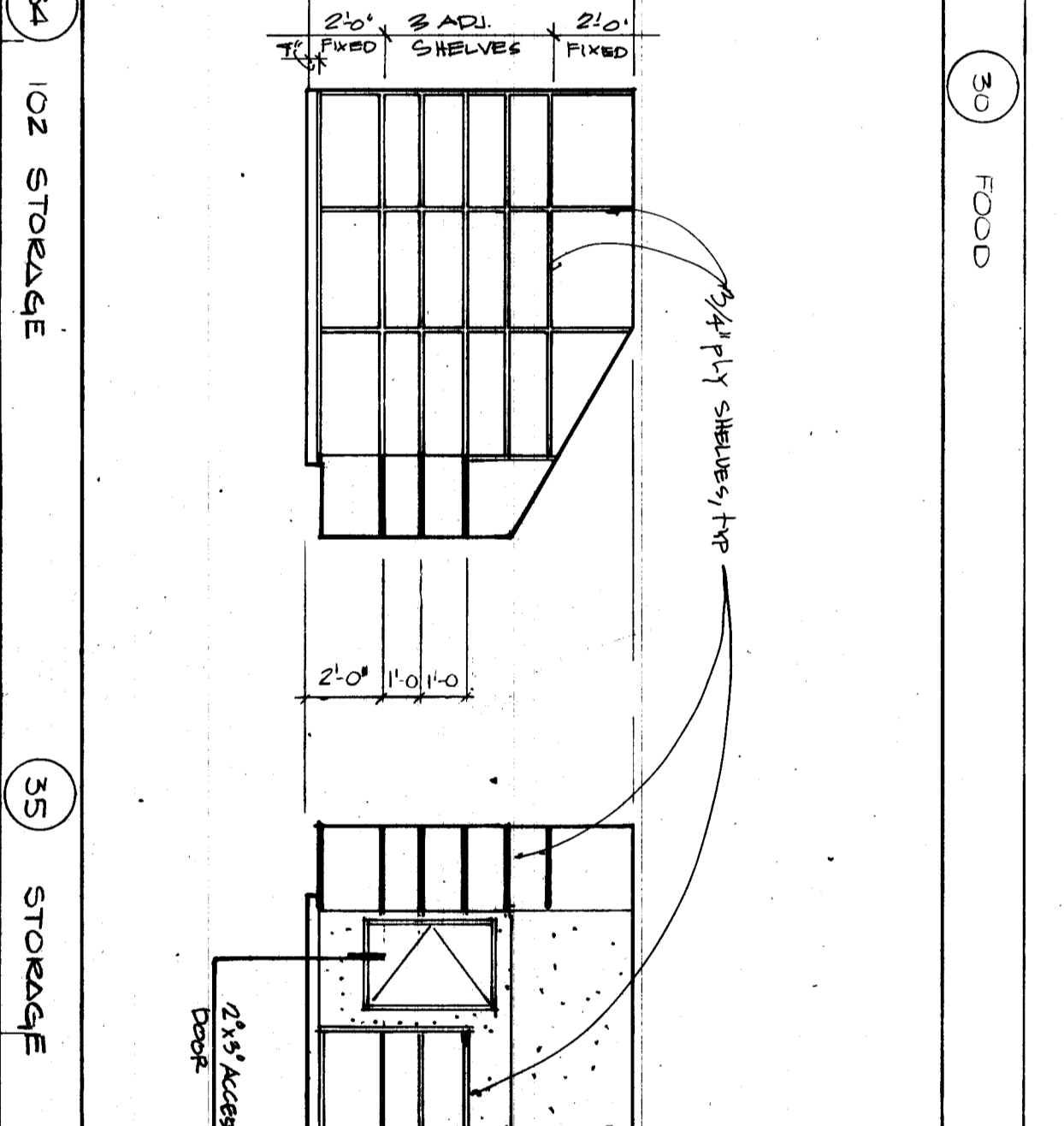
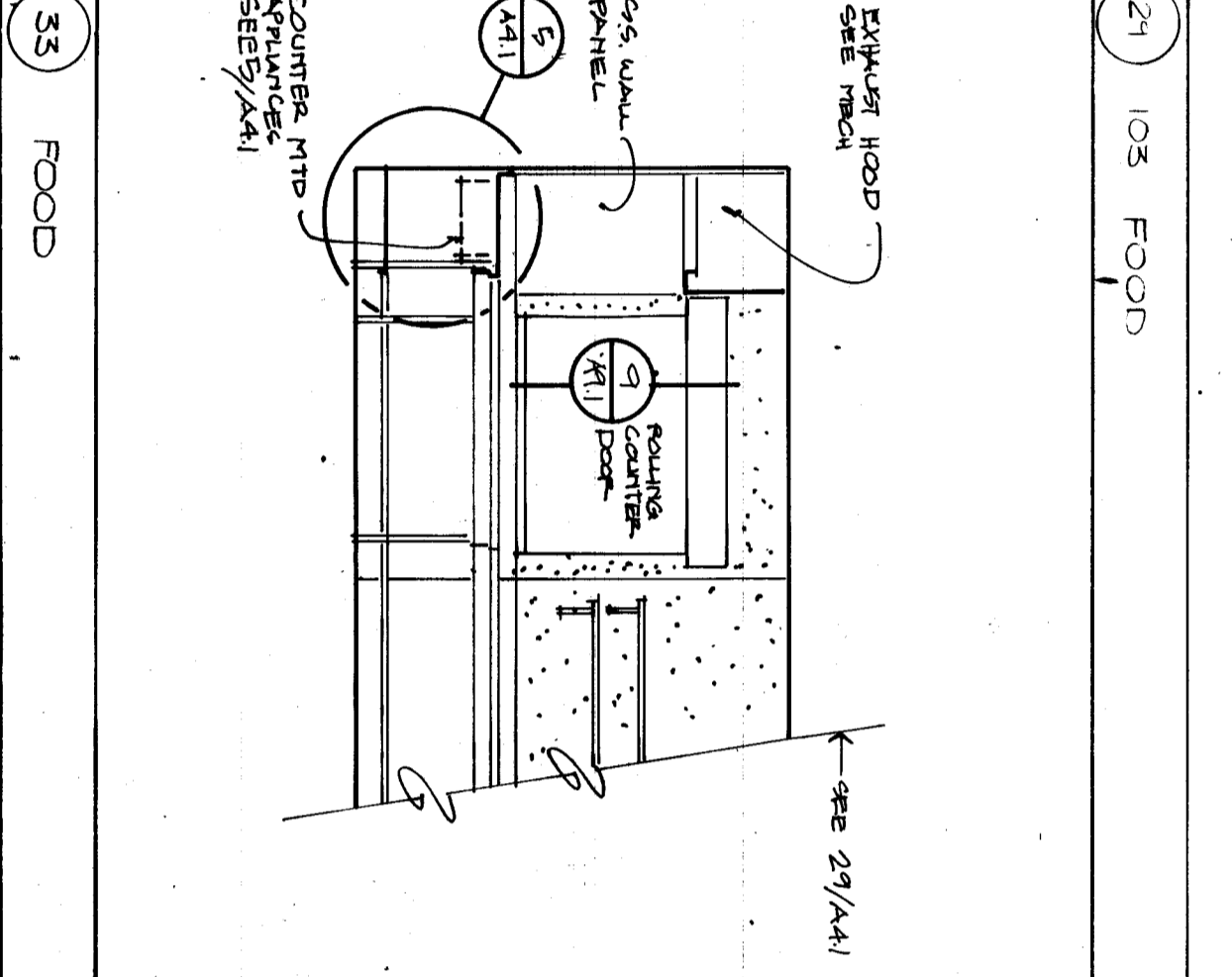
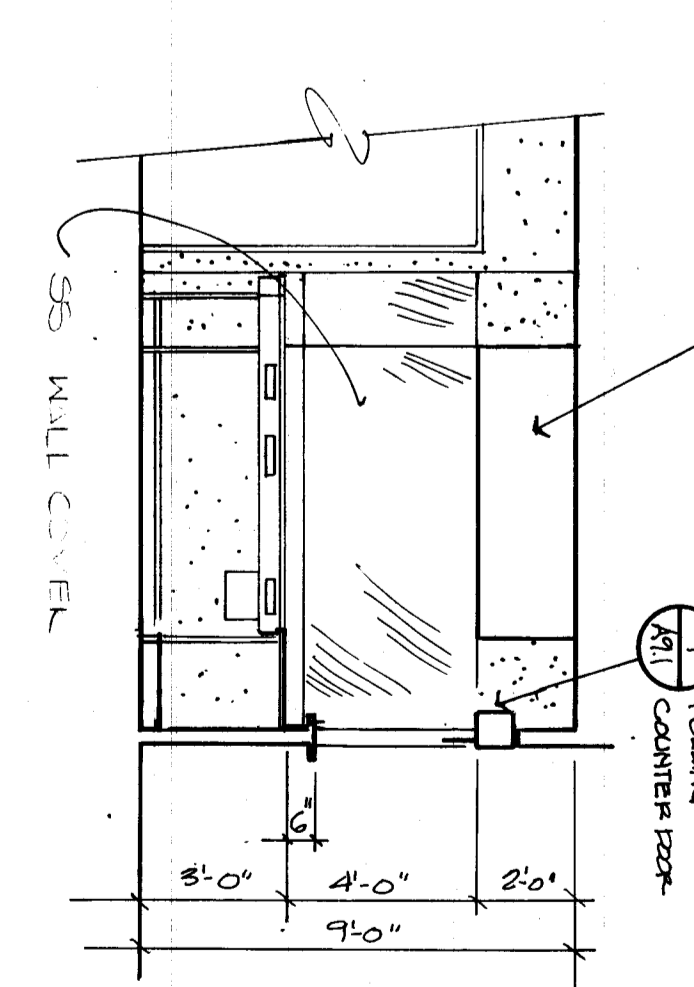
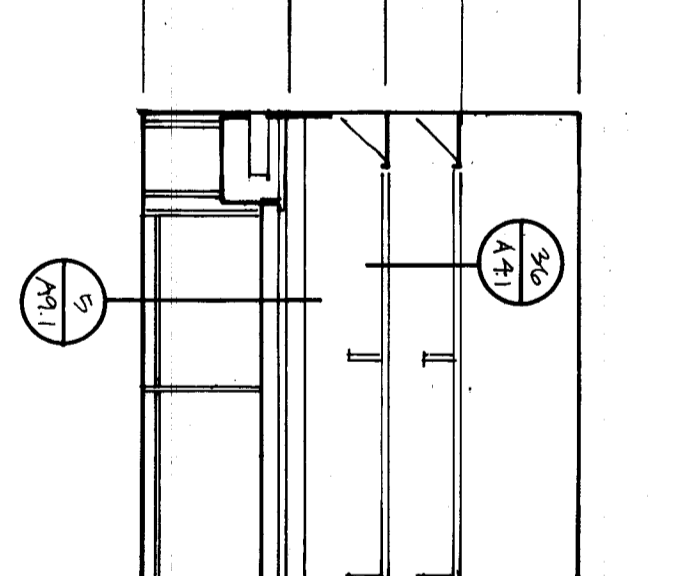
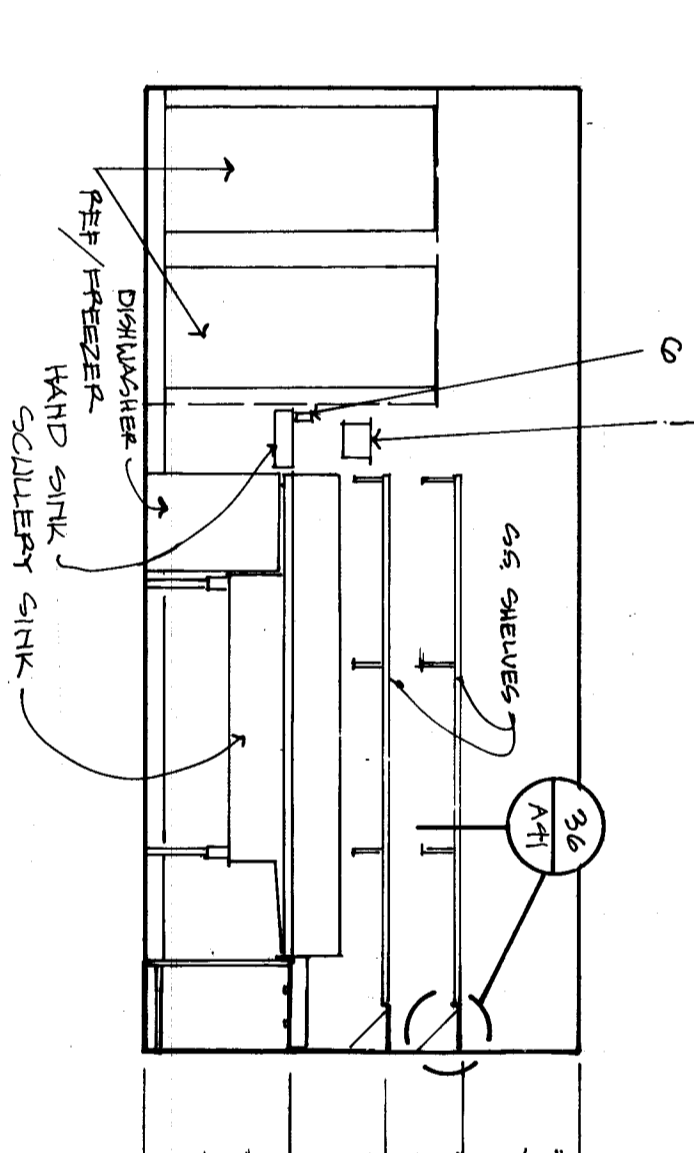
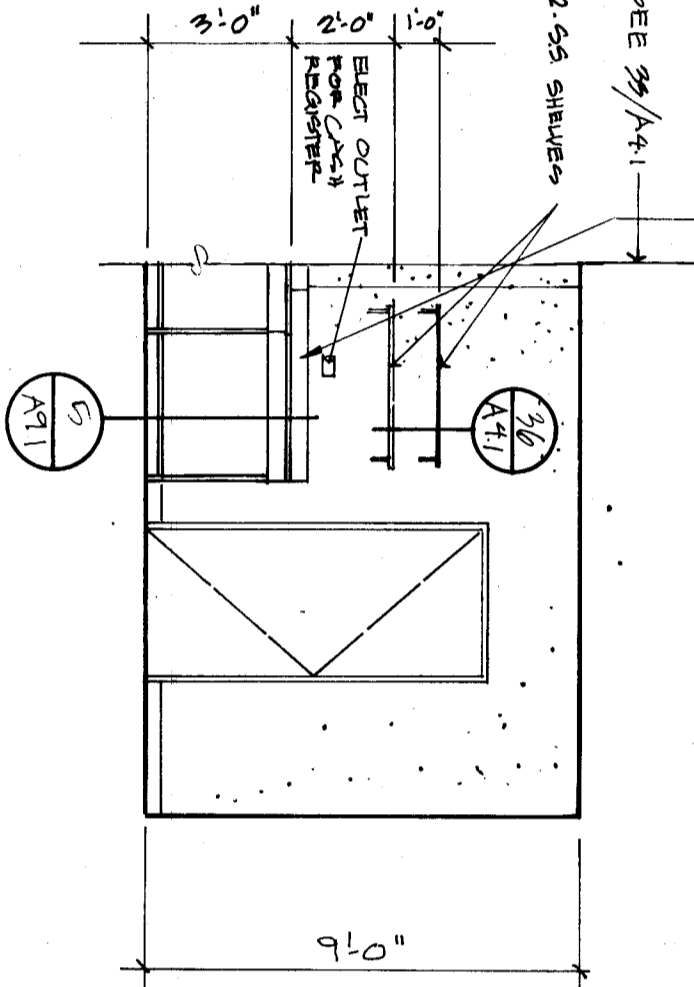
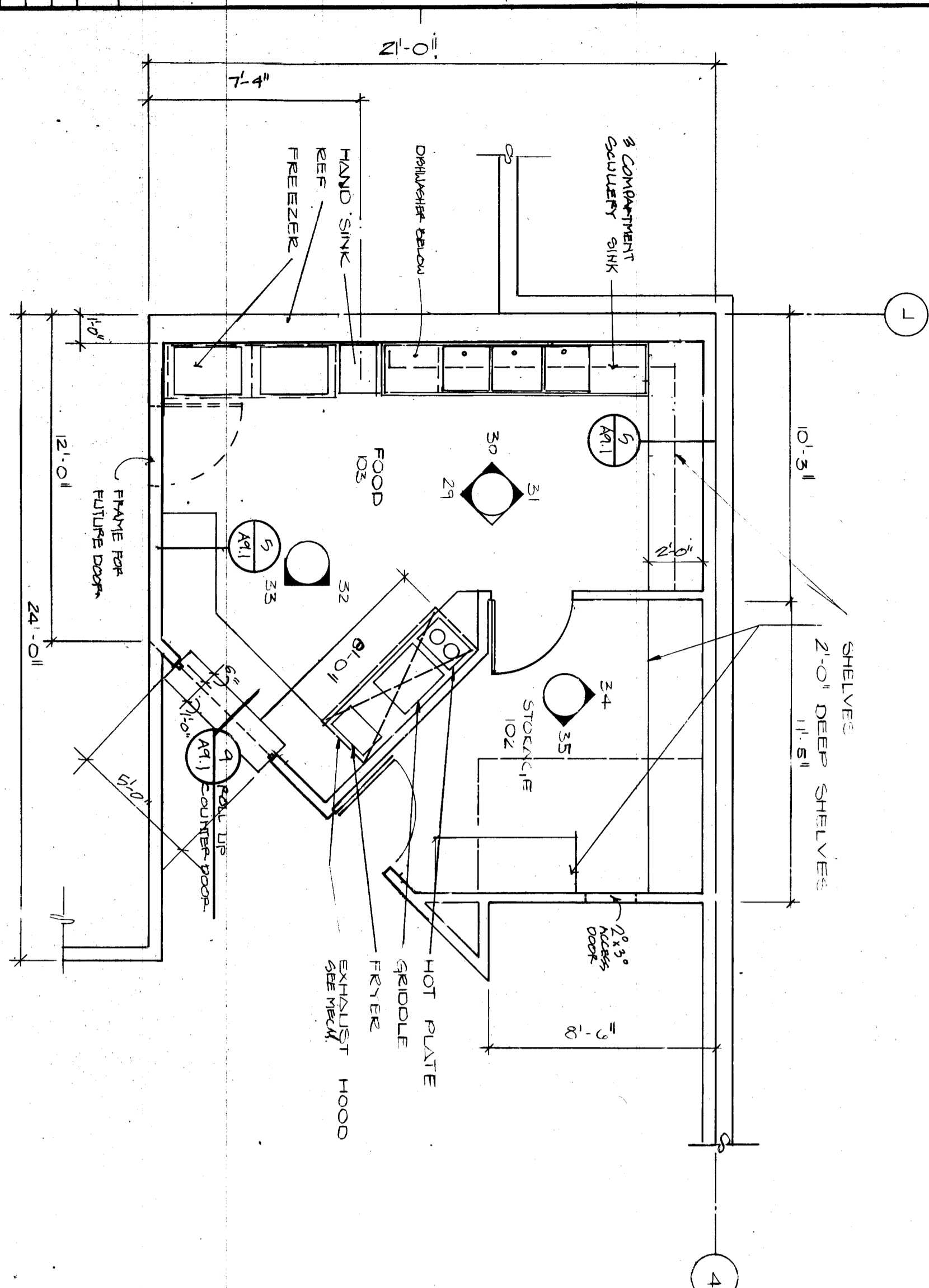
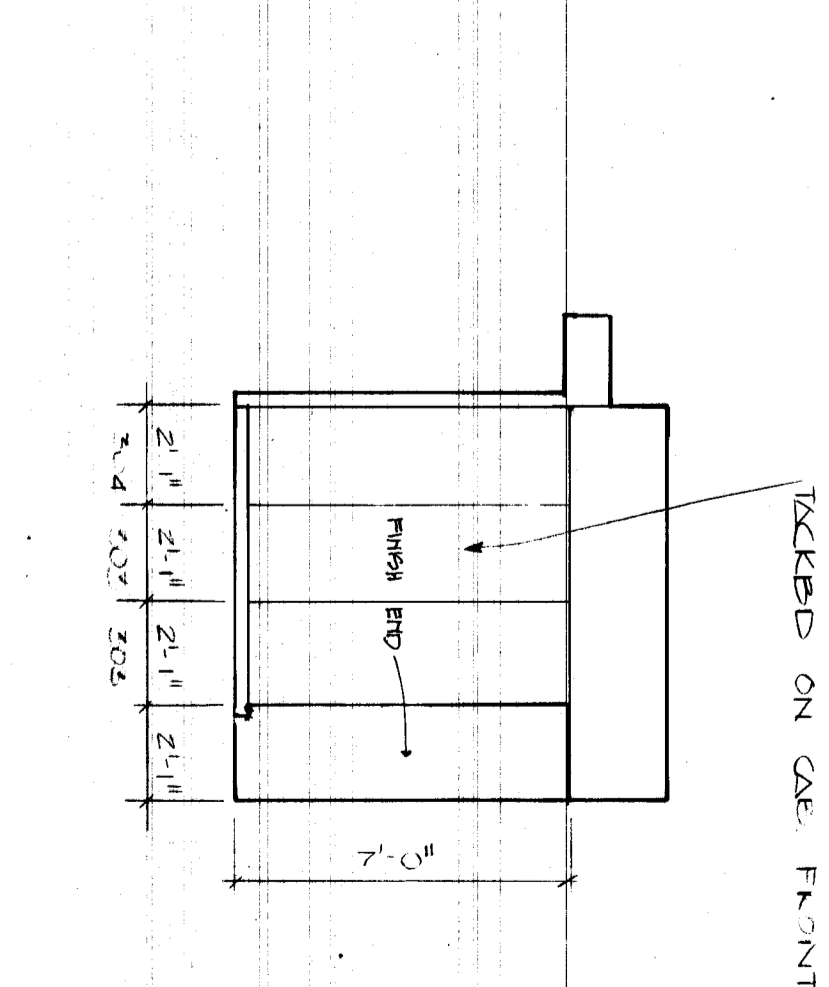
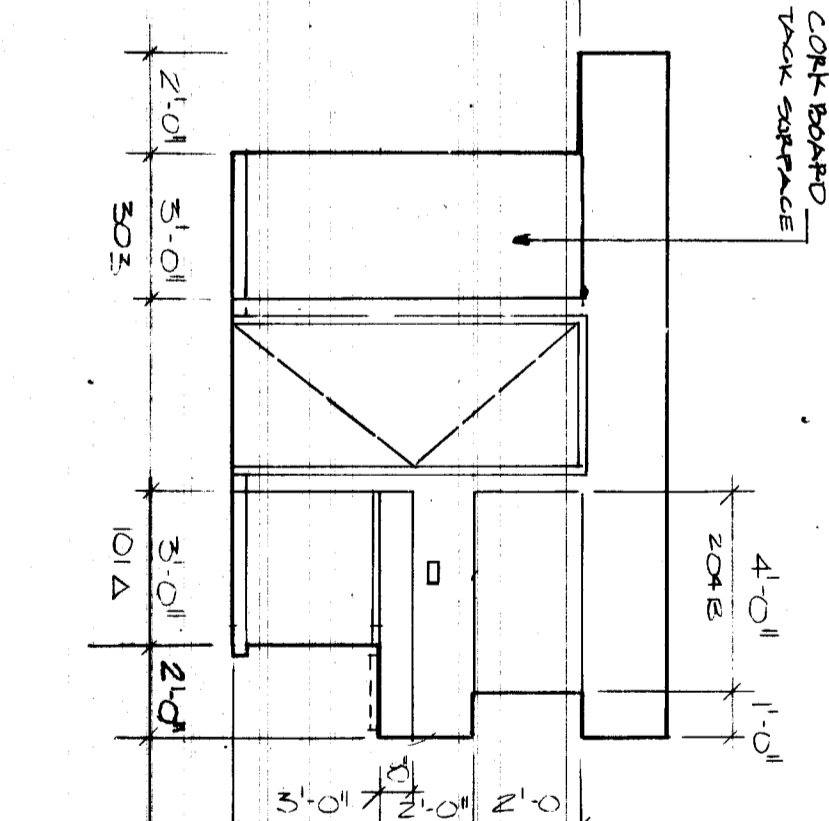
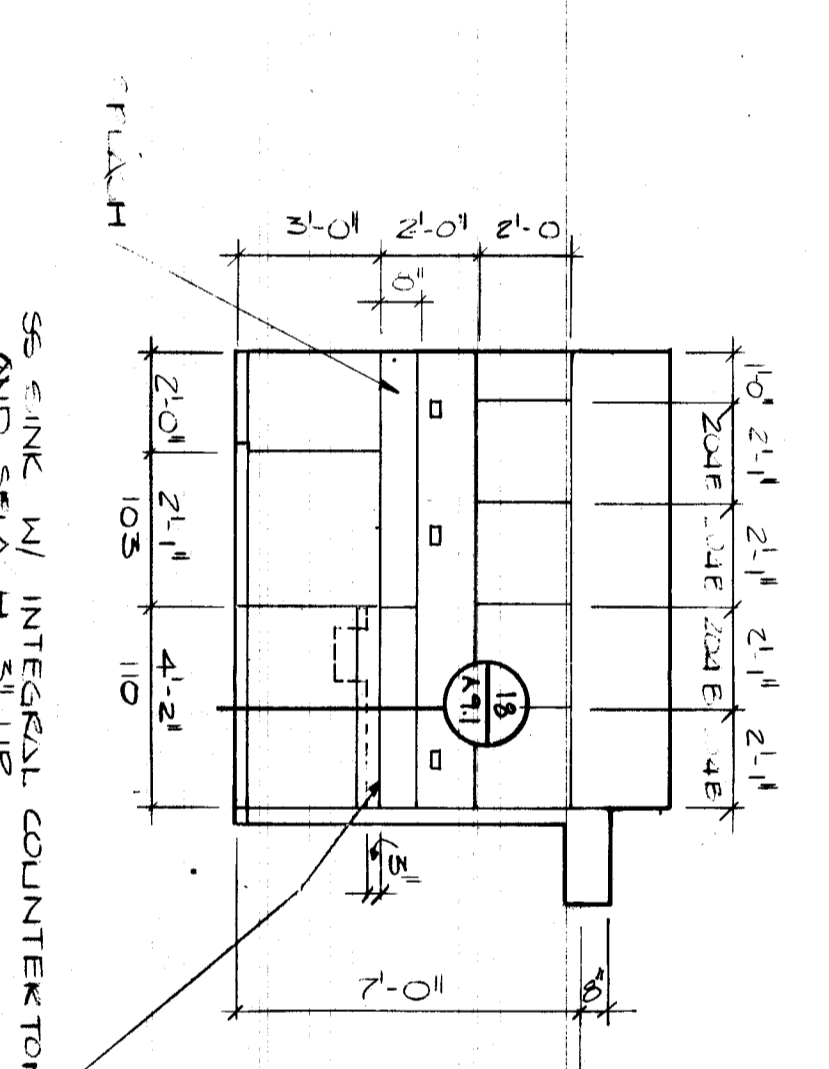
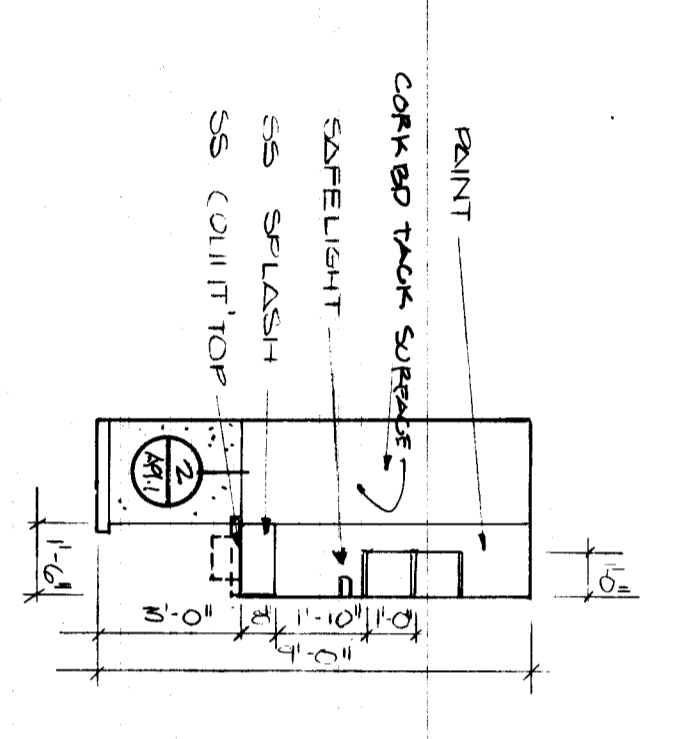
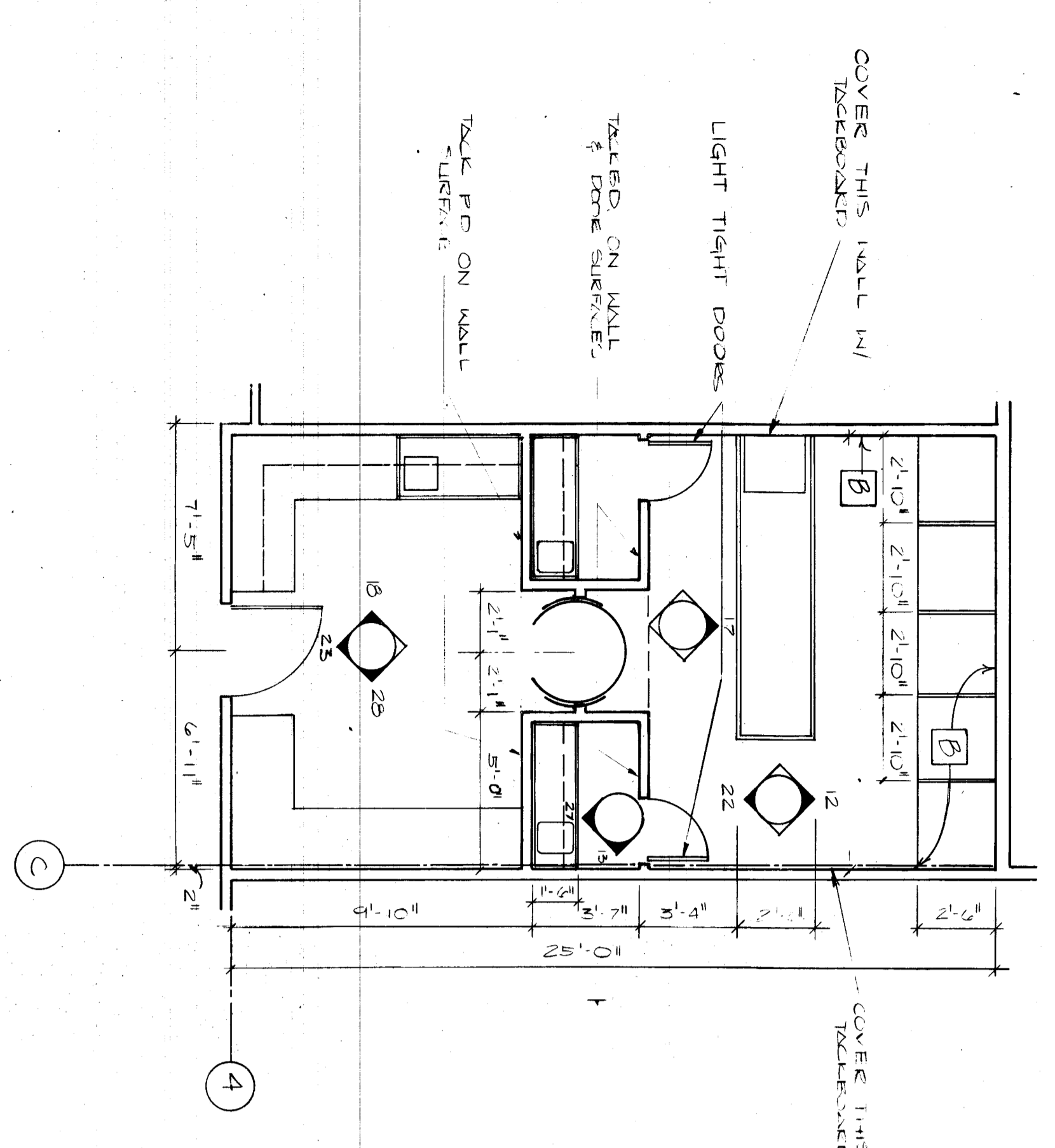
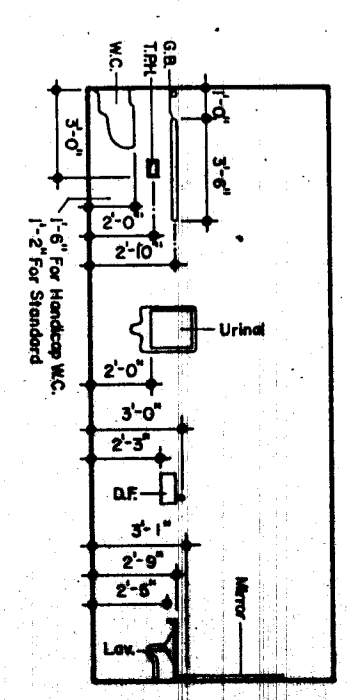
14 Canopy Section



- TOILET ROOM ACCESSORIES**
1. Paper Towel Dispenser: 800 Series Dispenser #56-46. Surface.
  2. Sanitary Napkin Dispenser: B-302 x 104. Recessed.
  3. Sanitary Napkin Dispenser: B-288. Surface.
  4. Soap Dispenser: B-12. Surface.
  5. Soap Dispenser: B-12. Surface.
  6. Soap Dispenser: B-12. Surface.
  7. Soap Dispenser: B-12. Surface.
  8. Soap Dispenser: B-12. Surface.
  9. Mirror: 8 2/8 2028.
  10. Mirror: 8 2/8 2028.
  11. Mirror: 8 2/8 2028.
  12. Floor Drain: Steel Lag Guard.
  13. Floor Drain: Steel Lag Guard.
  14. Floor Drain: Steel Lag Guard.
  15. Floor Drain: Steel Lag Guard.

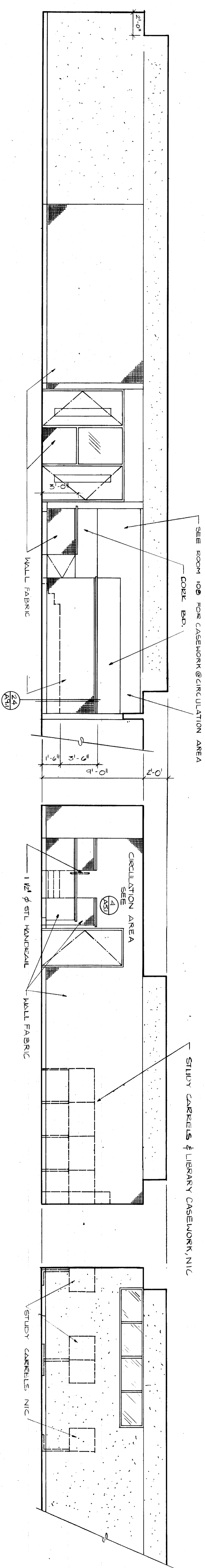
**ackley jensen architects**  
 P.O. BOX 310 - TARRANT

**FIXTURE HEIGHTS SCHEDULE**  
 UNITS OTHER THAN INCHES

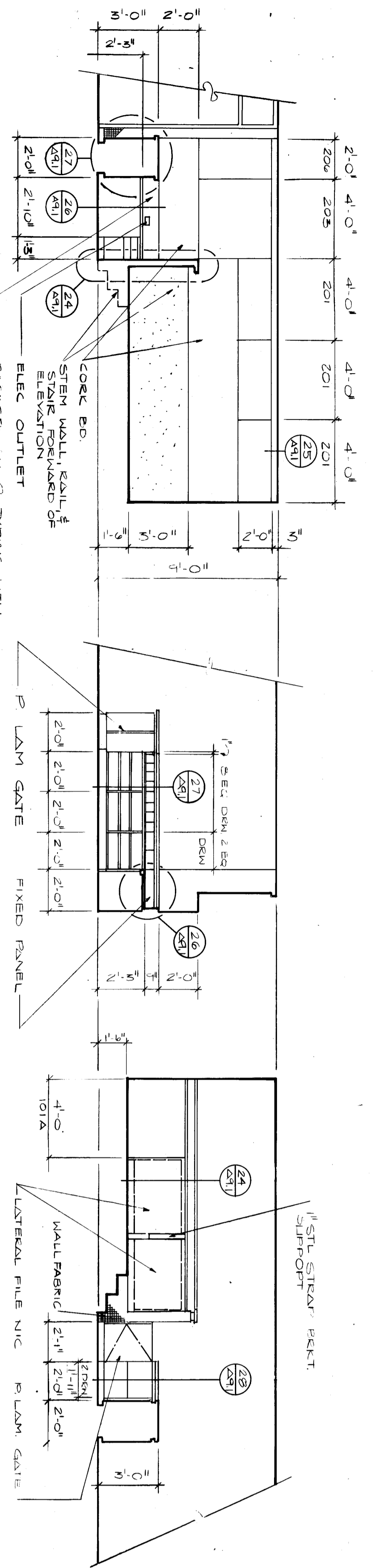


**WRANGELL HIGH SCHOOL**  
 JOB NO. : 349  
 DRAWN BY :  
 TITLE :  
**Enlarged Floor Plan**  
 SHEET NO. :  
**A4.1**

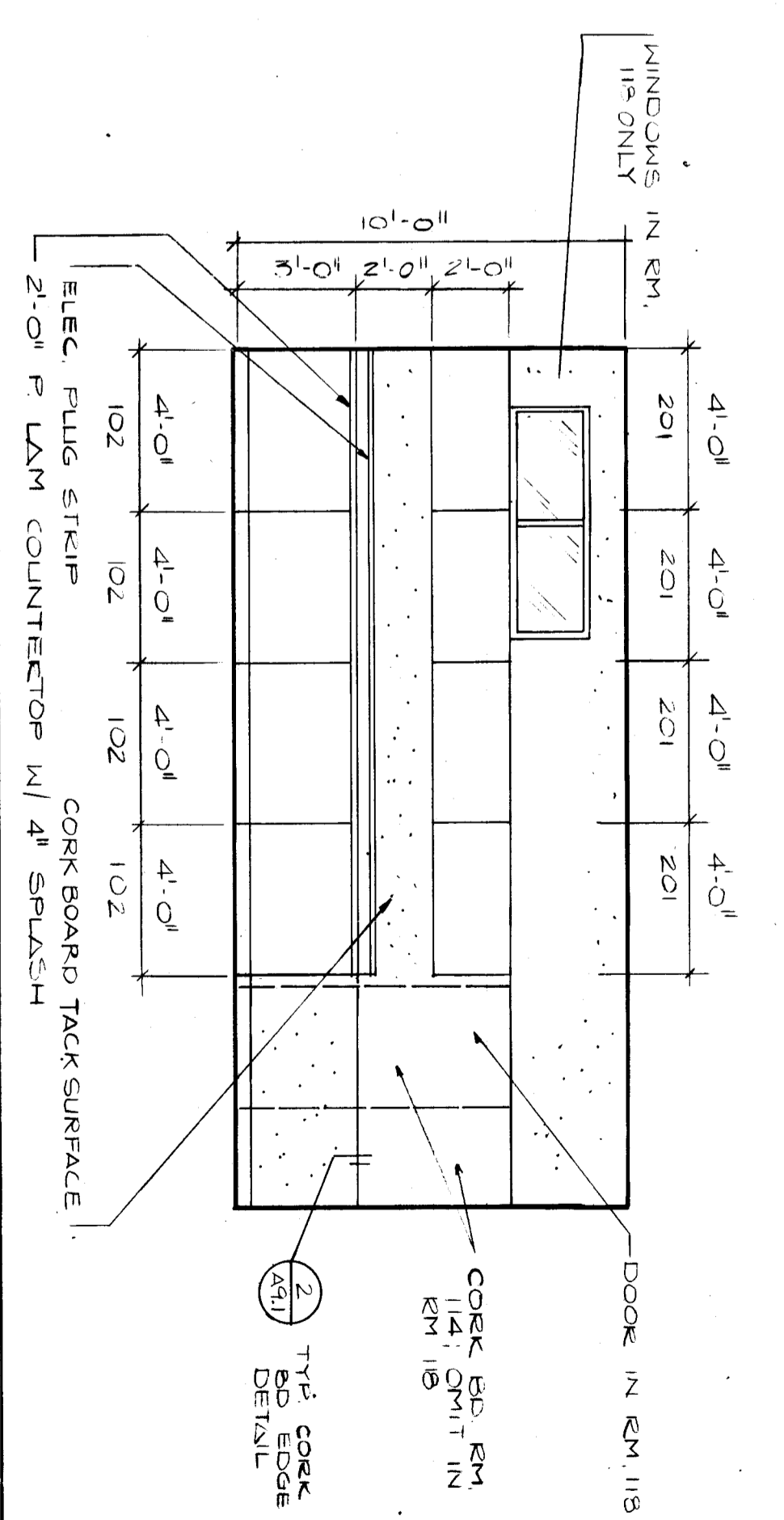
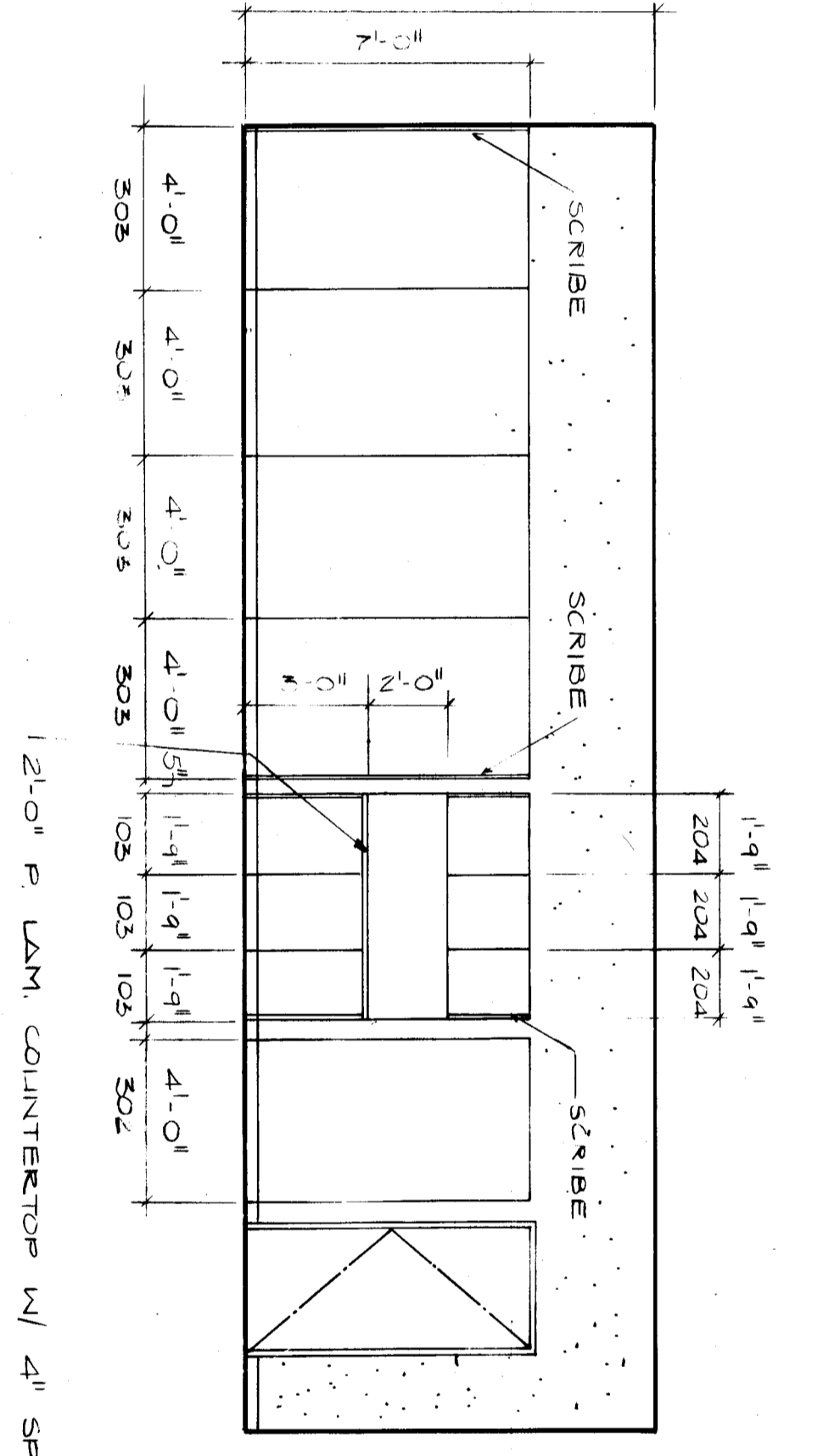
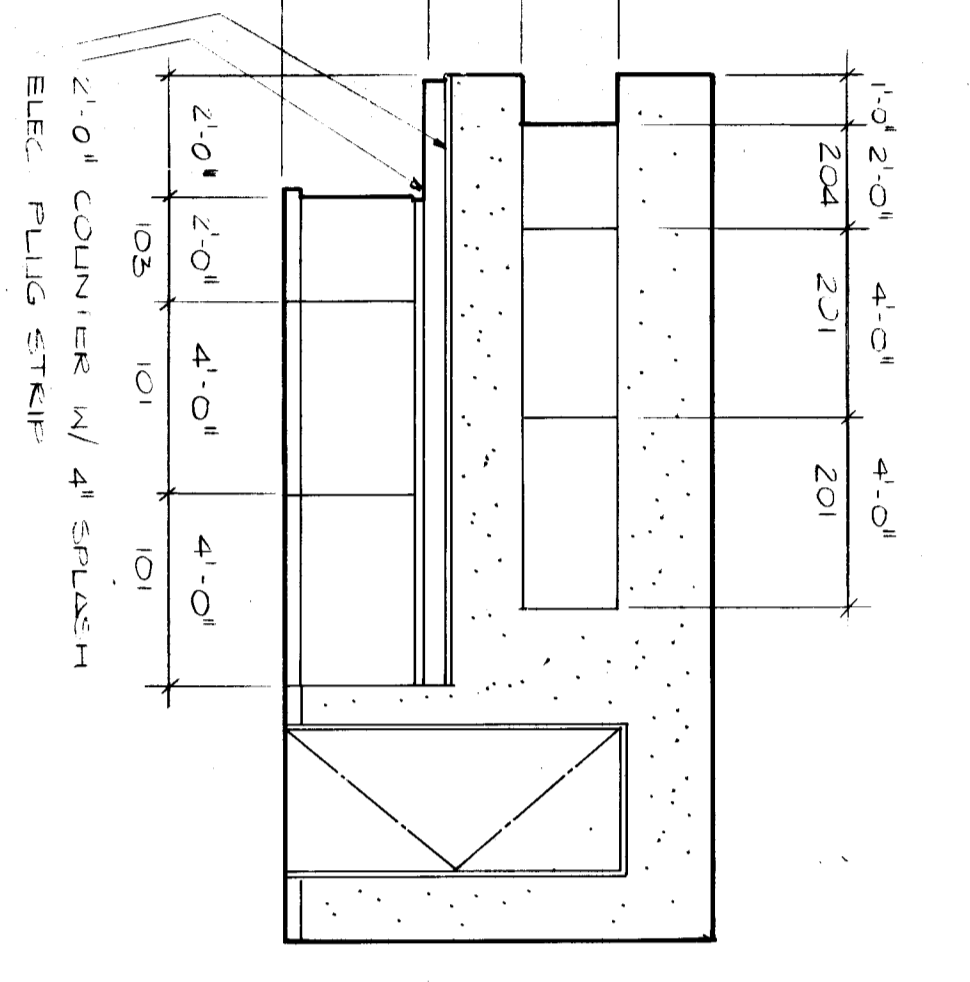
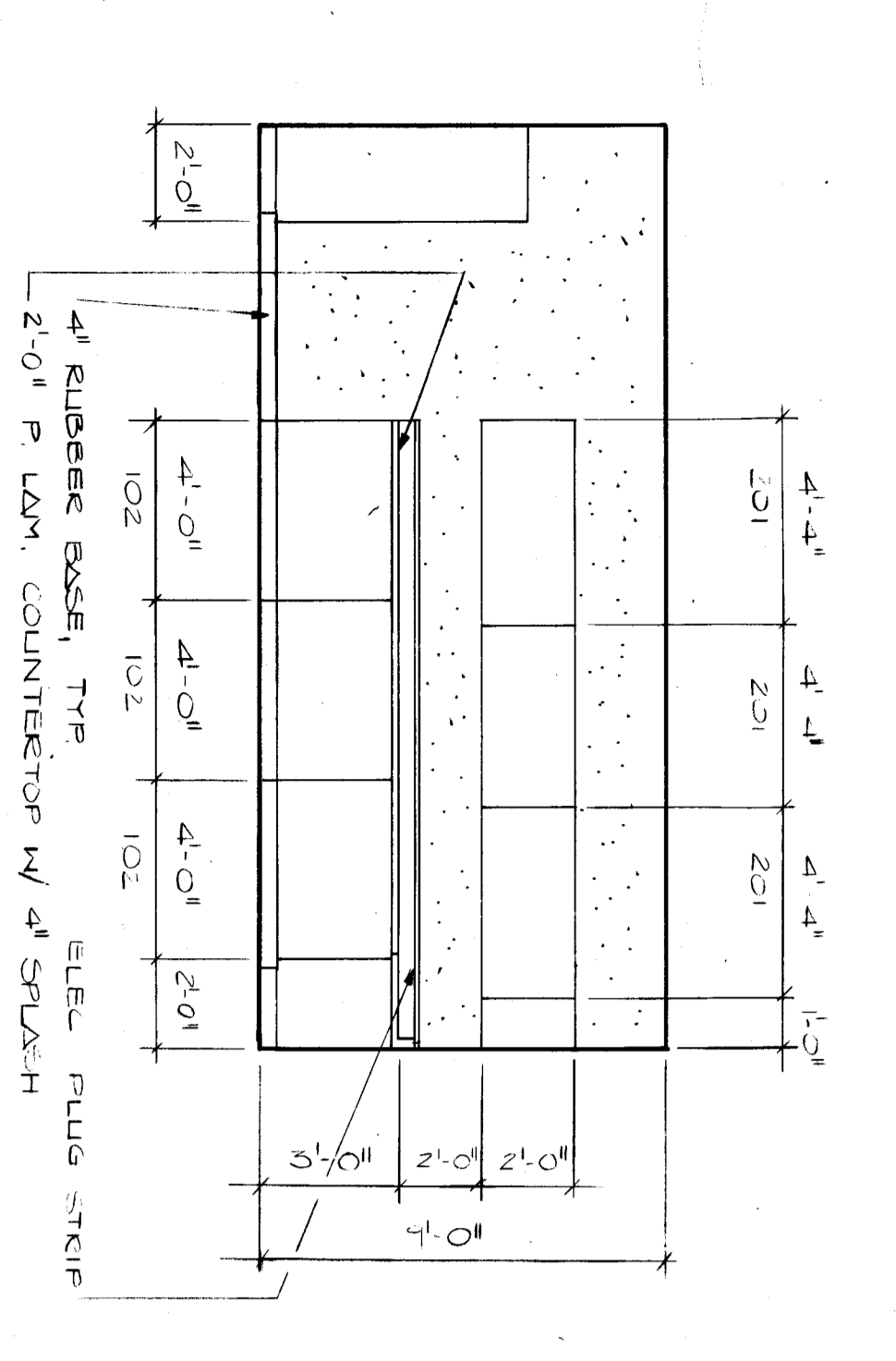
DATE : June 15, 1984



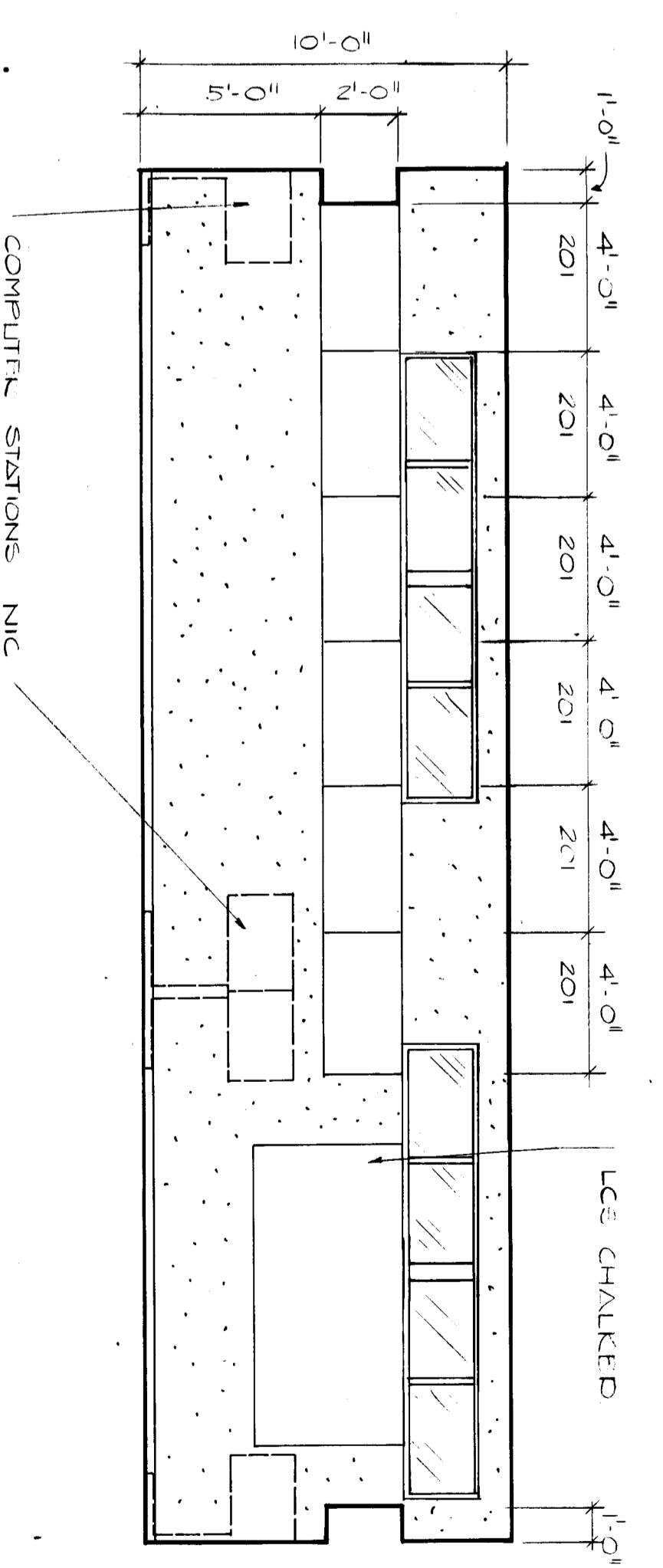
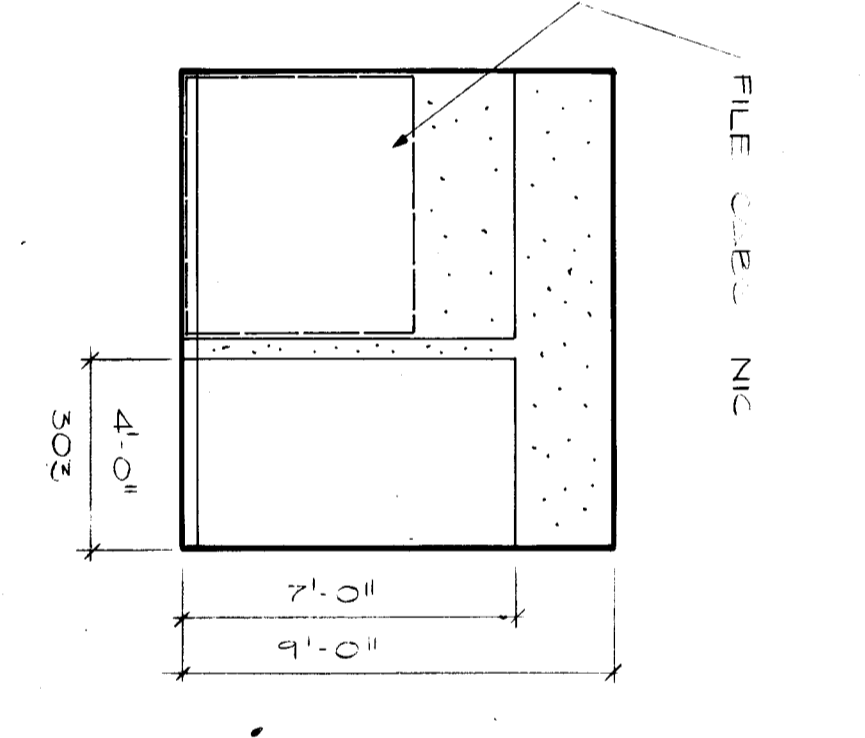
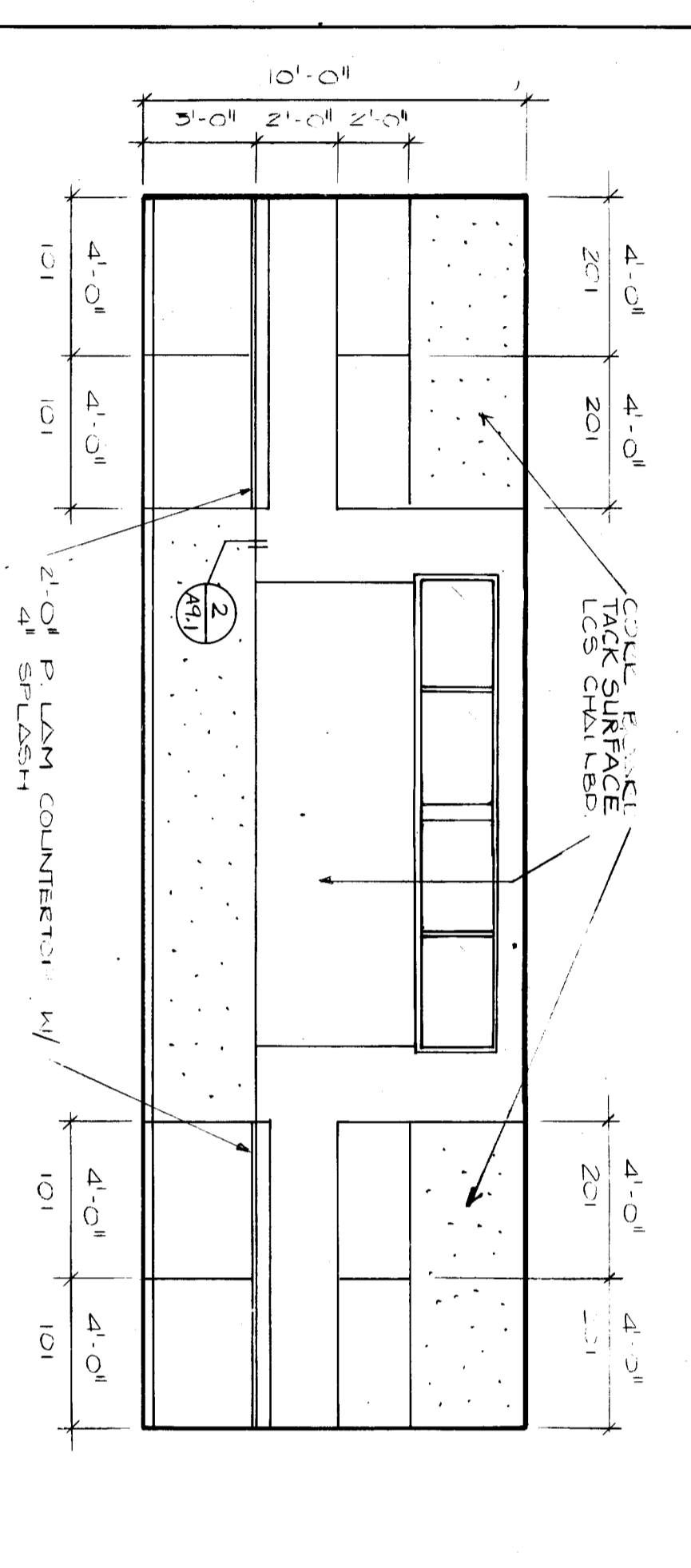
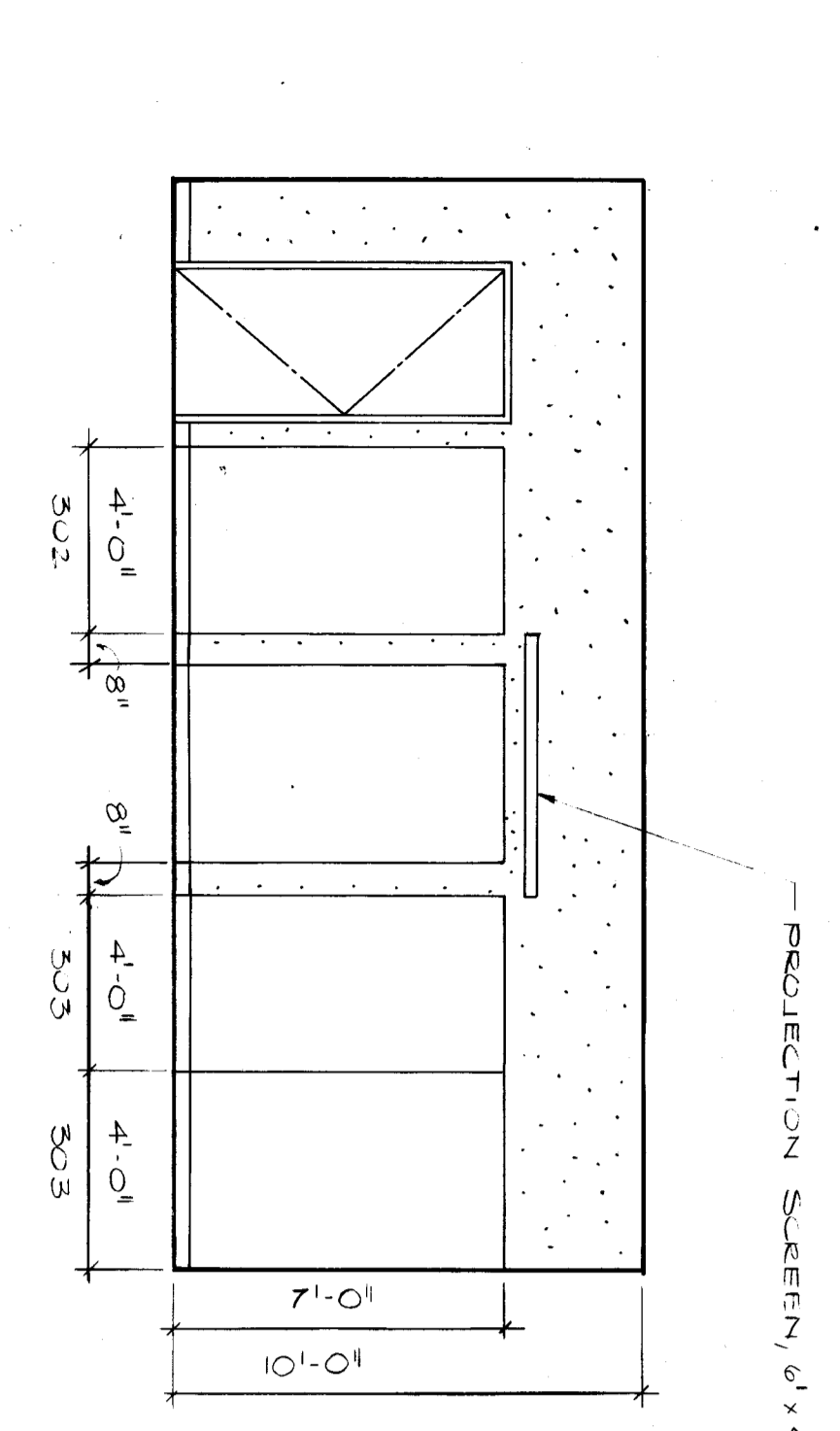
1 107 LIBRARY N. ELEVATION  
2 107 LIBRARY E. ELEVATION  
3 107 LIBRARY S. ELEVATION



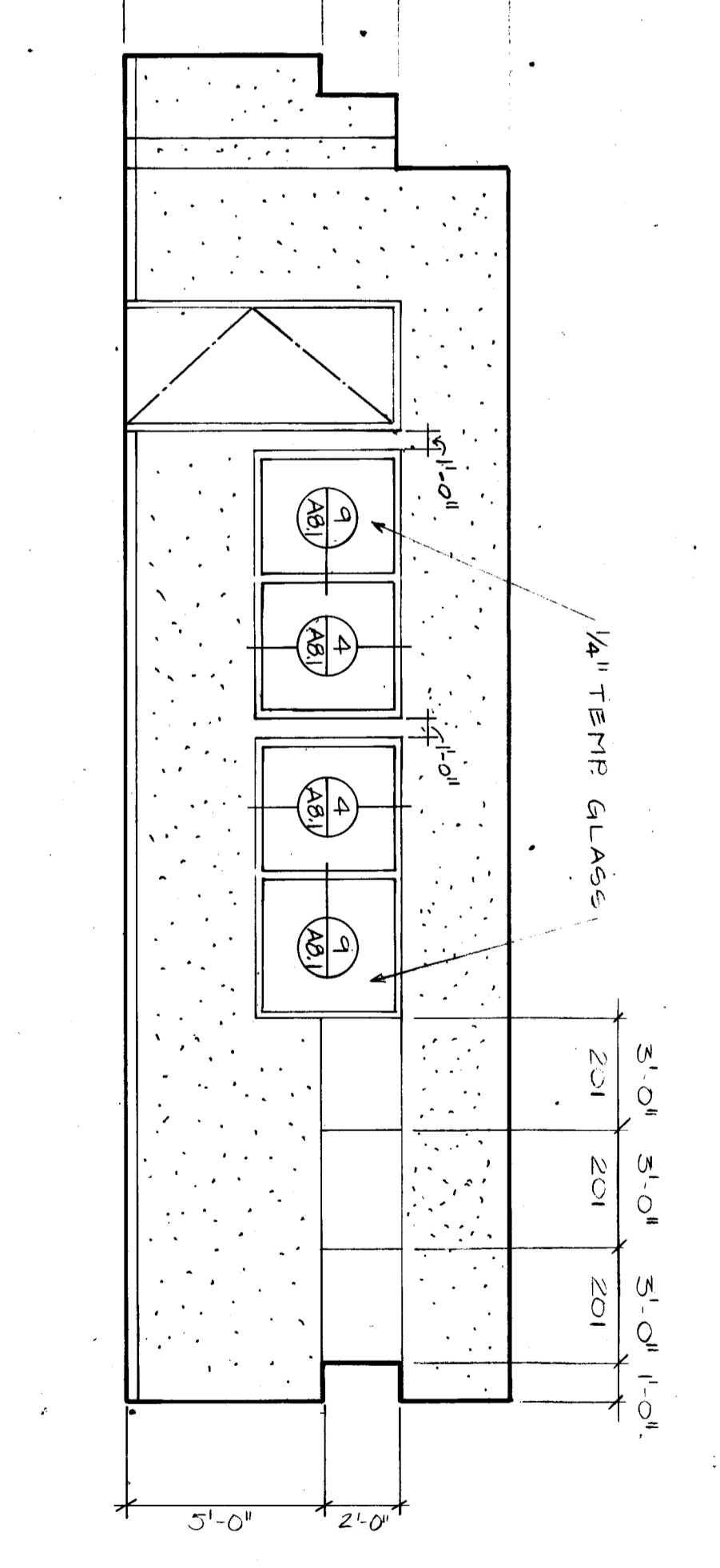
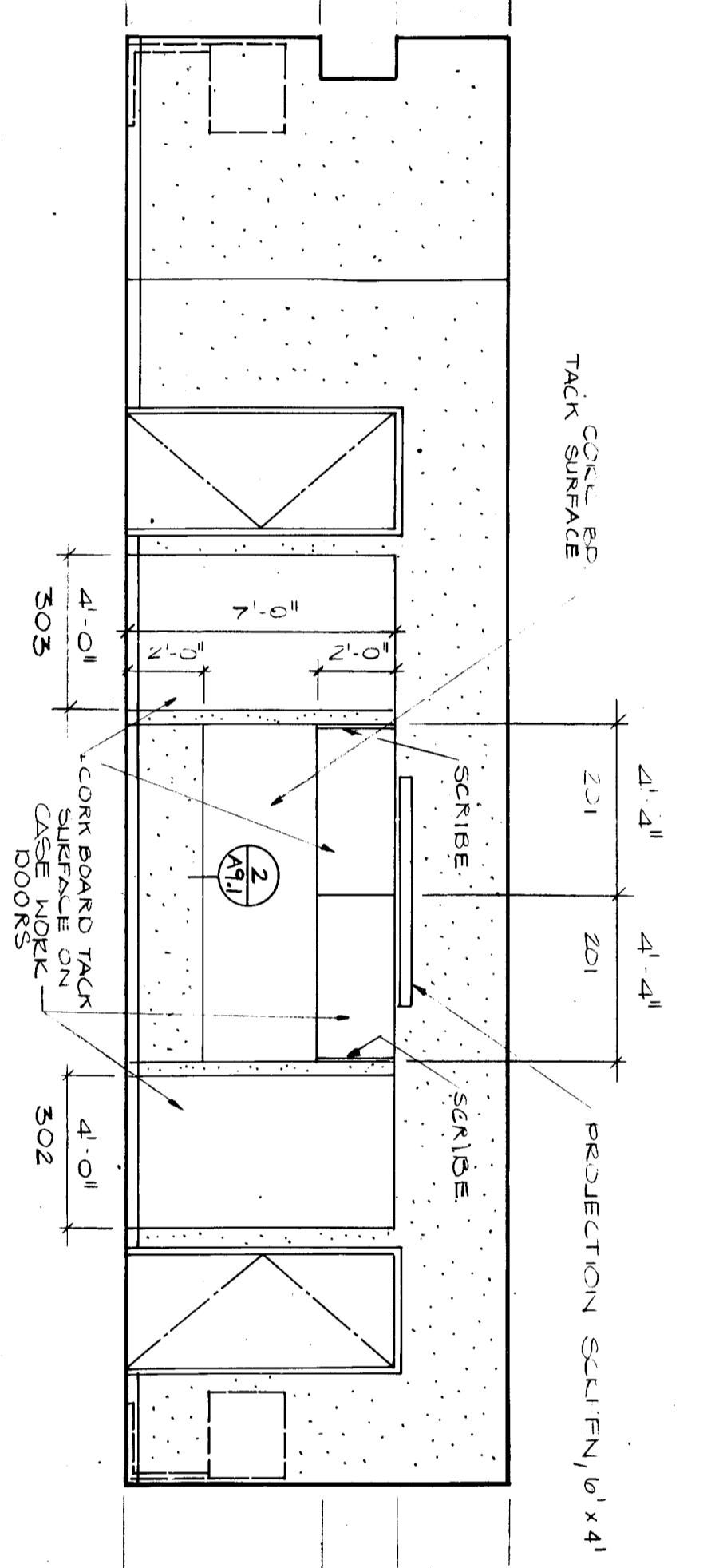
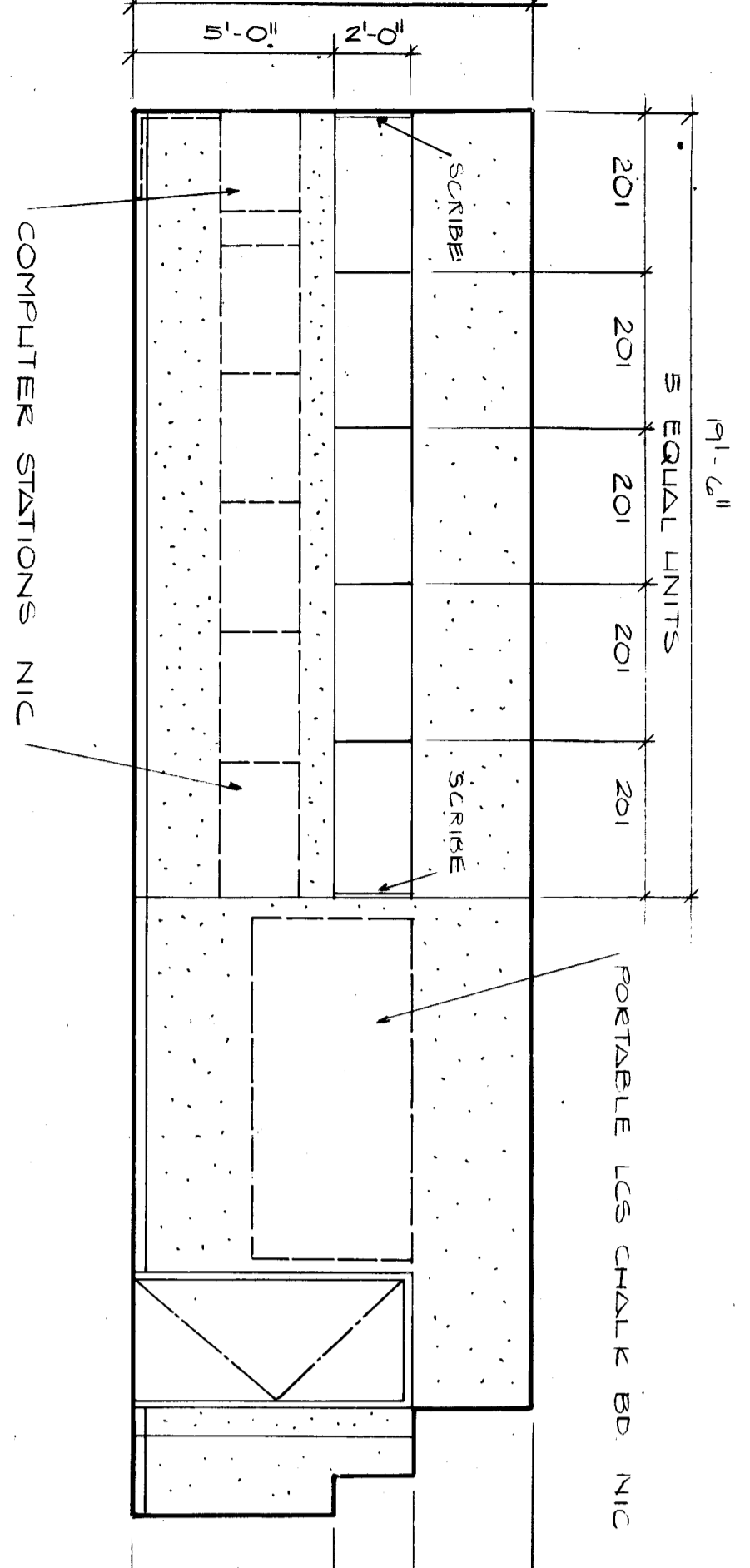
4 108 CIRCULATION DESK N. ELEVATION  
5 108 CIRC. DESK N. ELEVATION  
6 108 CIRCULATION DESK S. ELEVATION  
7 109 STORAGE (BOOK REPAIR)  
8 110 AV ROOM N. ELEVATION



9 110 AV ROOM E. ELEVATION  
10 110 AV ROOM S. ELEVATION  
11 112 CLASS ROOM S. ELEVATION; 120 CLASSROOM S. ELEVATION (REVERSED)  
12 114 SPEC. ED. N. ELEV.; 116 SPEC. ED. E. ELEV. (REVERSED)



13 114 SPECIAL ED. N. ELEV.; 116 SPECIAL ED. N. ELEV. (REVERSED)  
14 120 CLASSROOM N. ELEVATION  
15 123 OFFICE N. ELEVATION  
16 127 COMPUTER ROOM N. ELEVATION

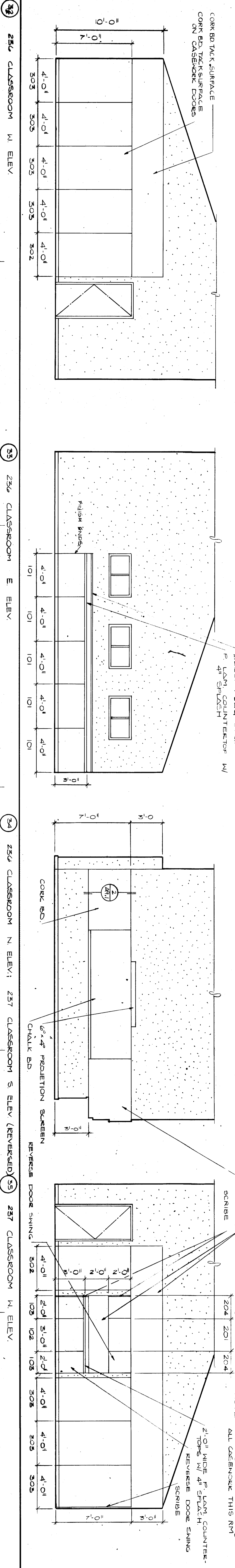
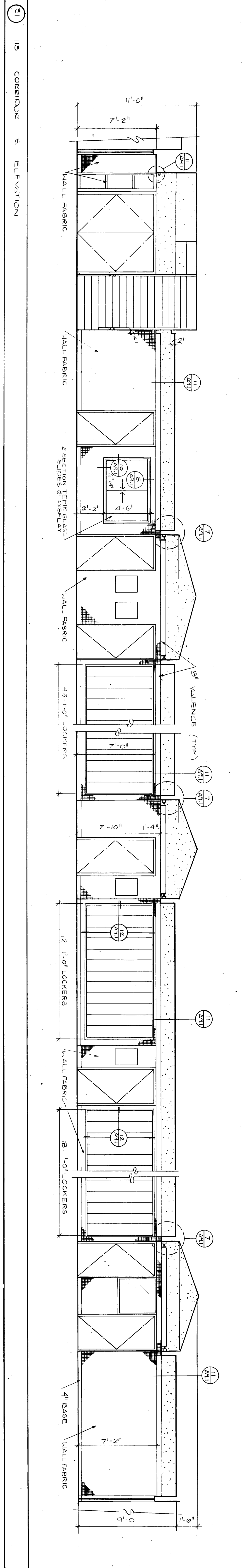
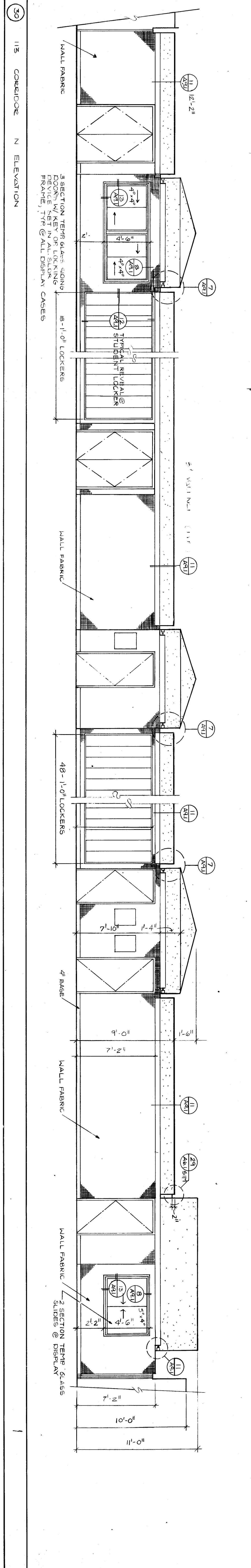
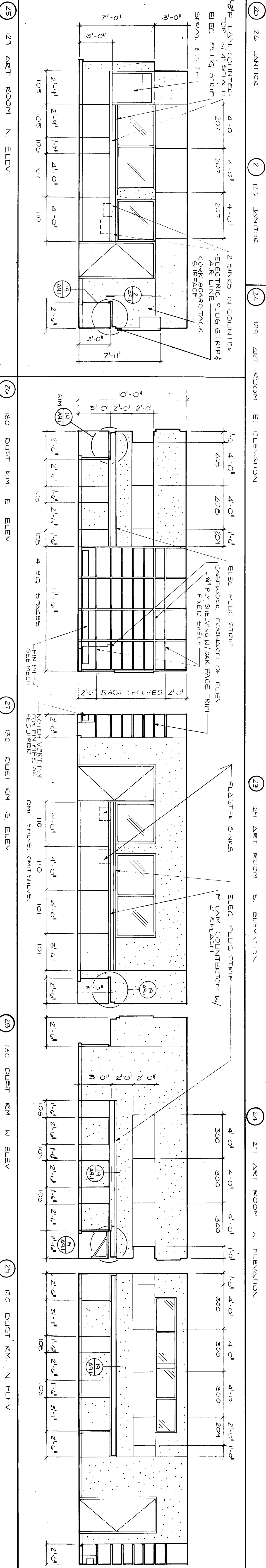
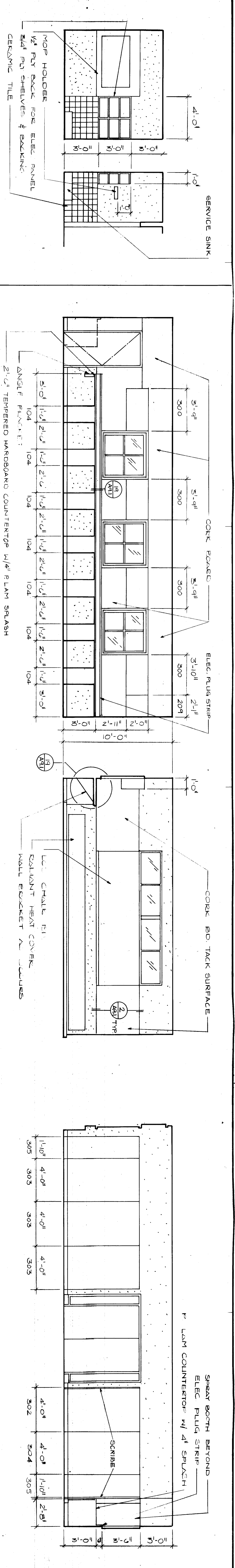


17 127 COMPUTER ROOM E. ELEVATION  
18 127 COMPUTER ROOM S. ELEVATION  
19 127 COMPUTER ROOM W. ELEVATION

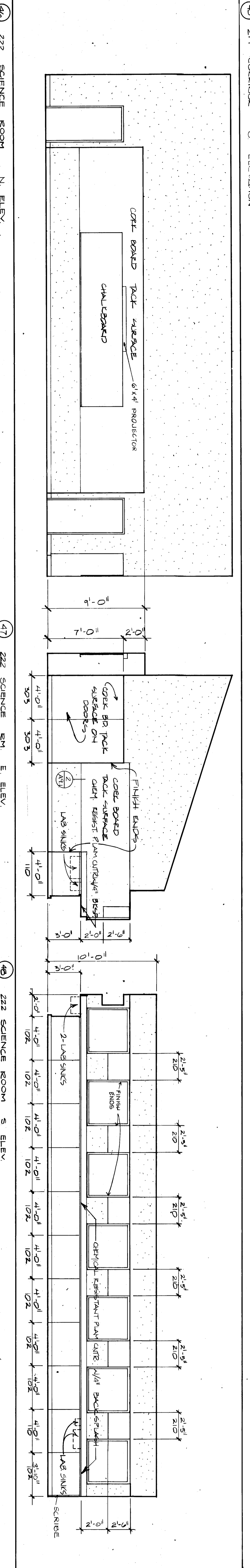
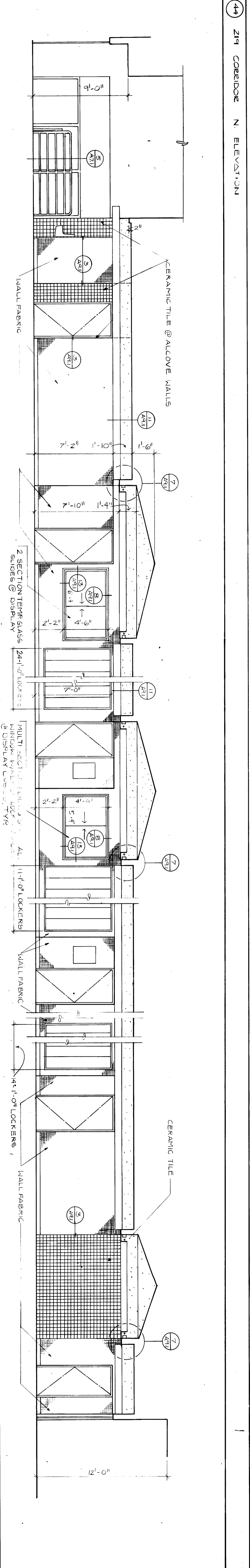
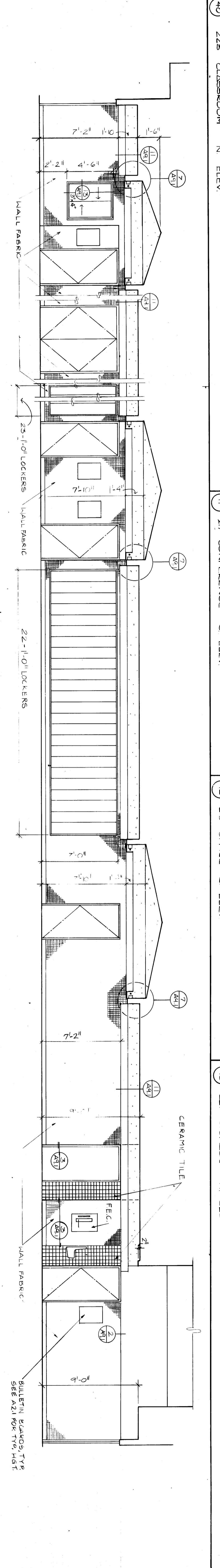
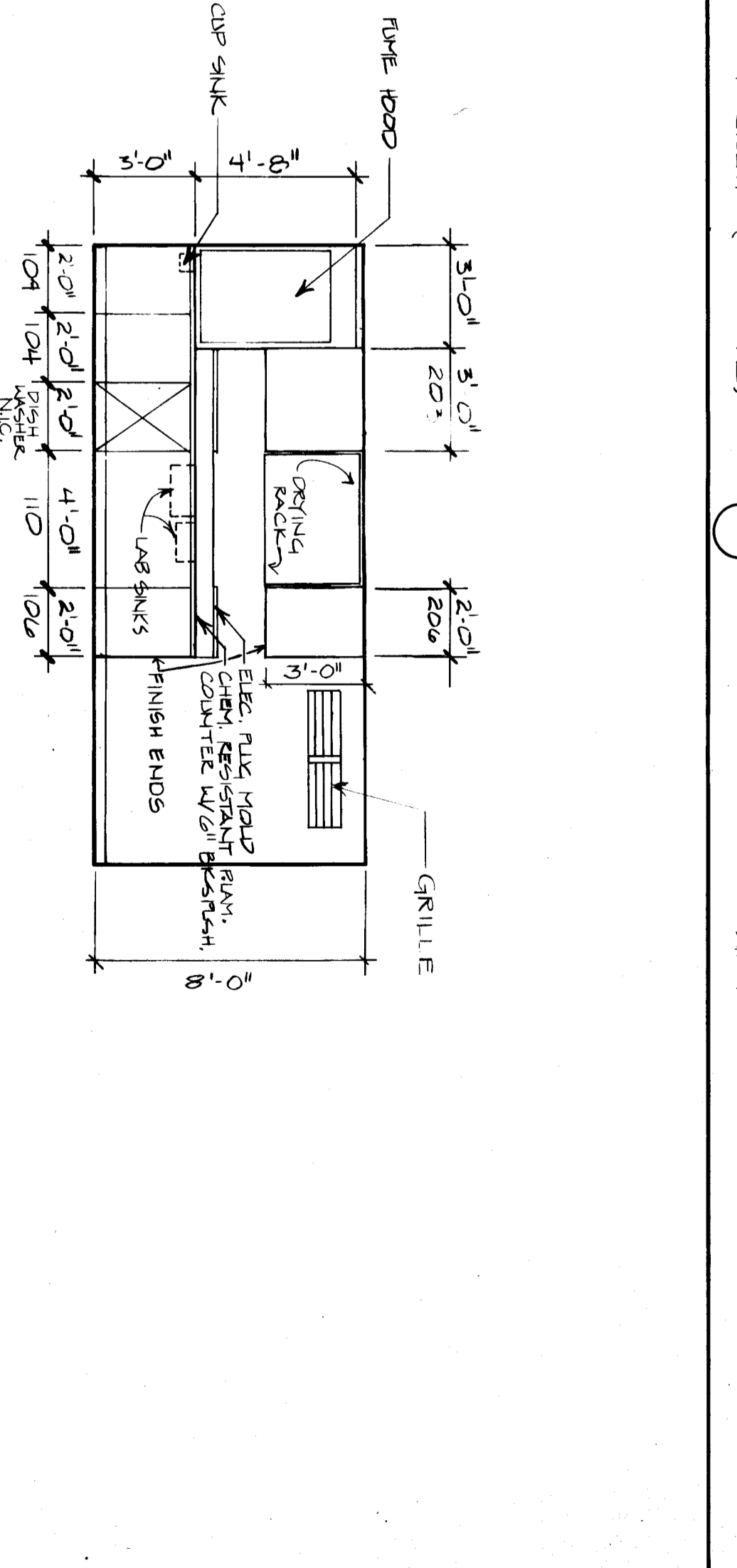
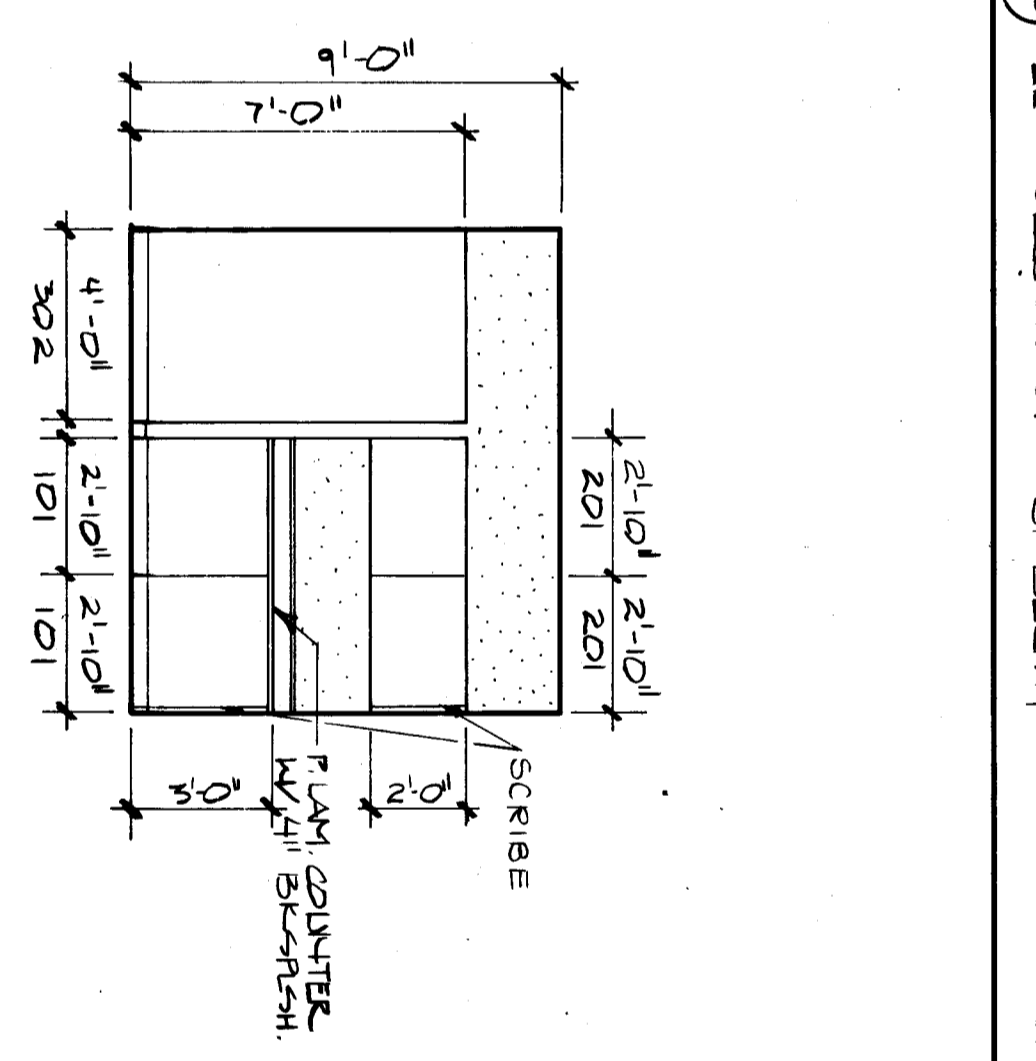
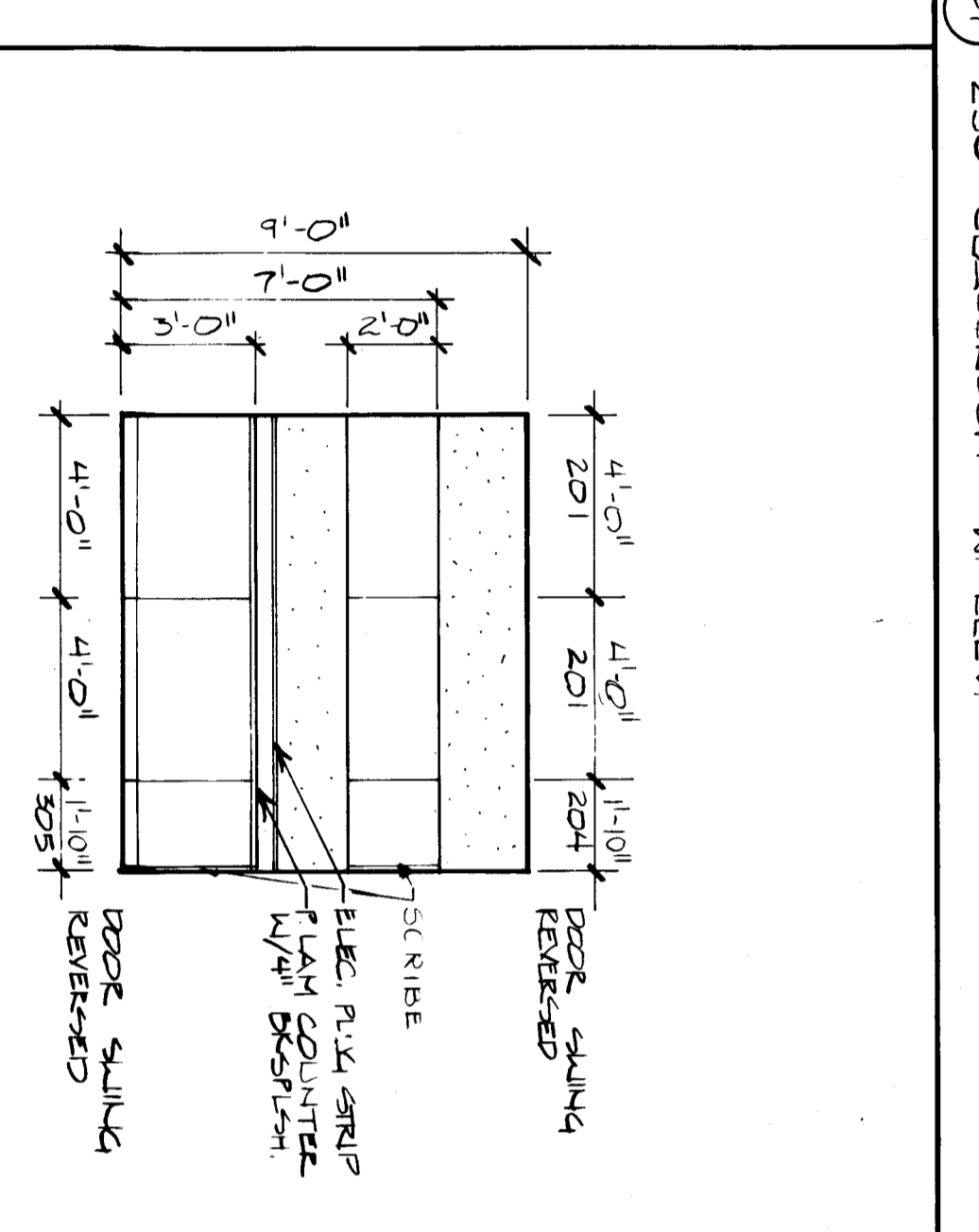
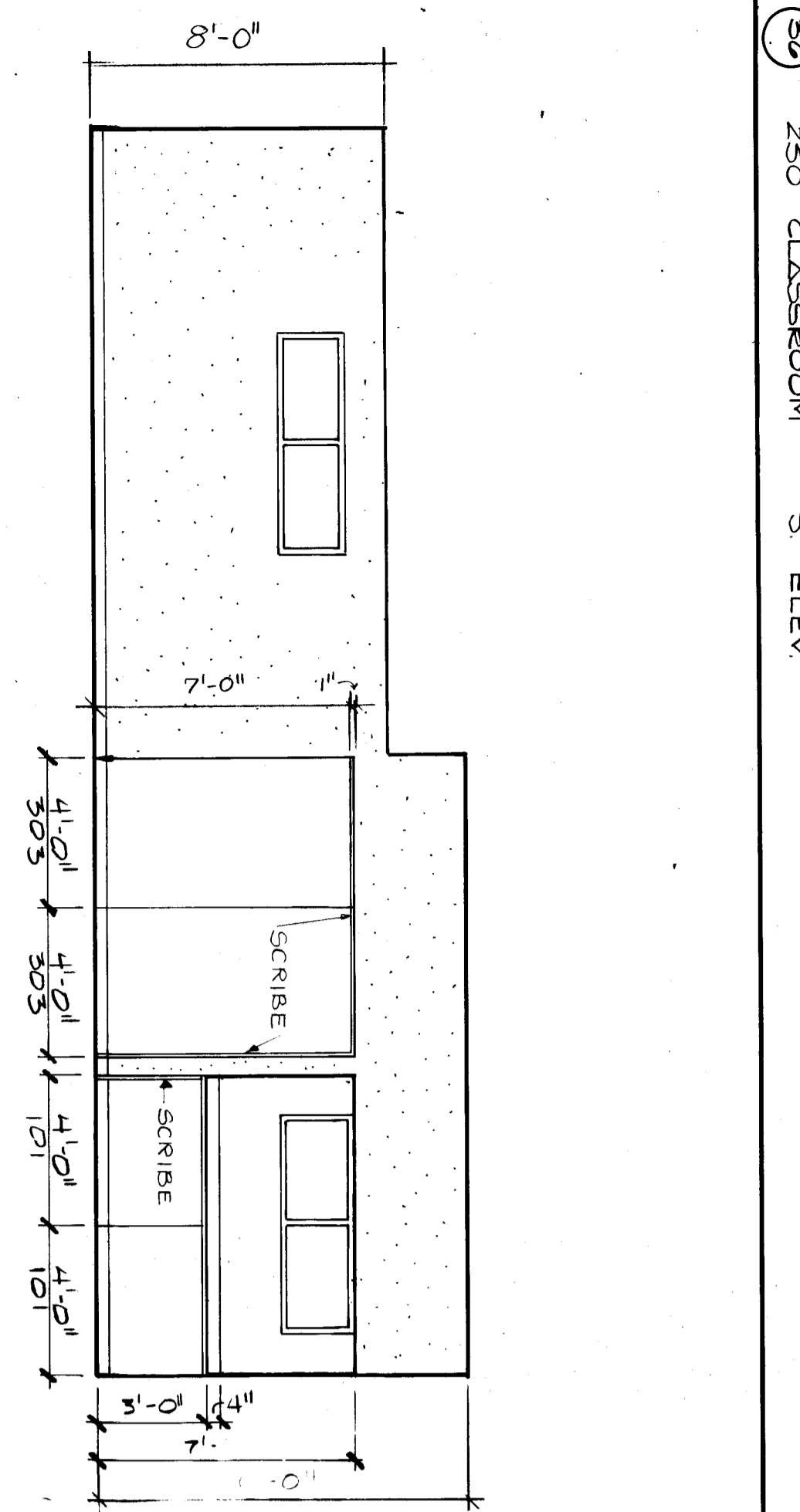
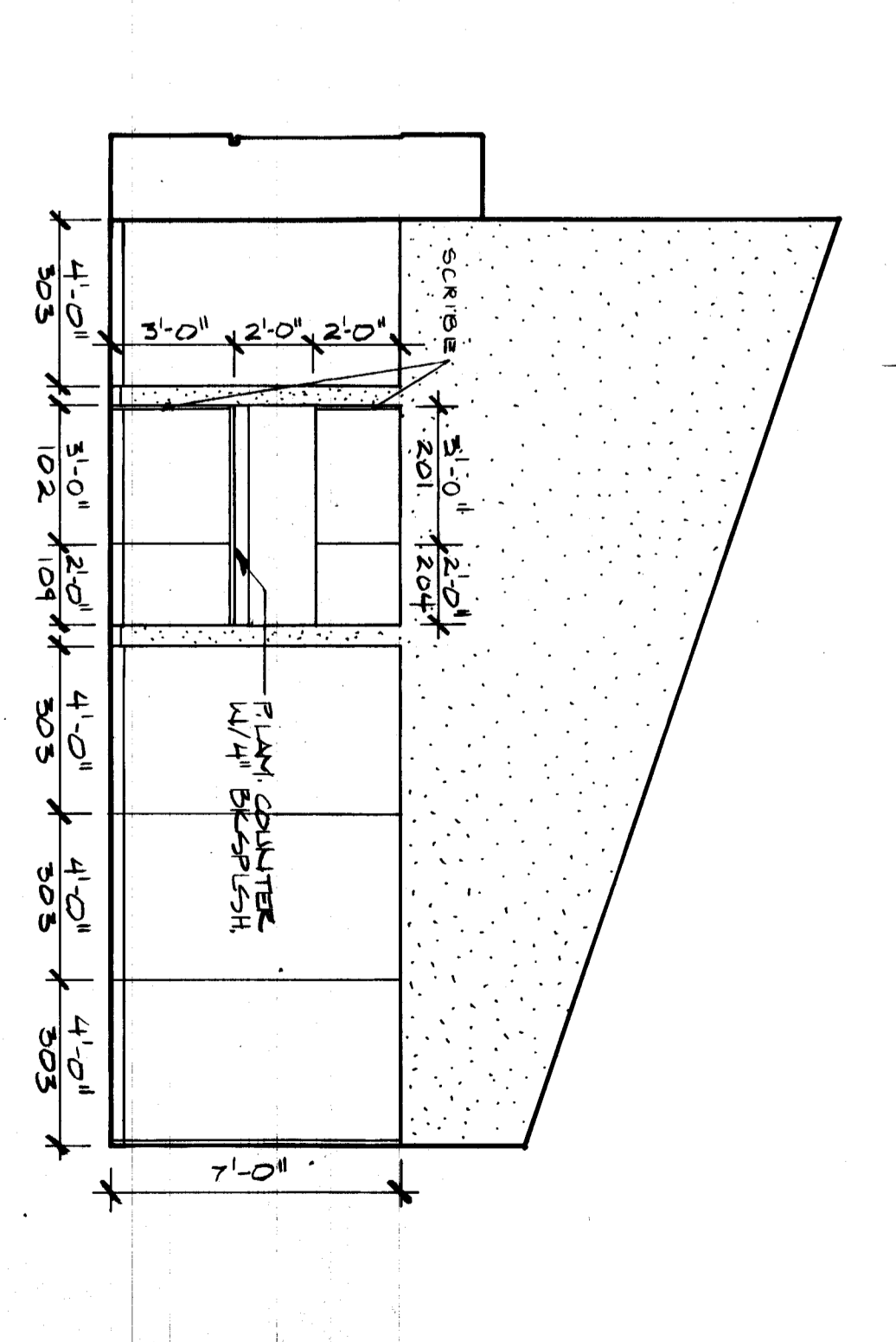
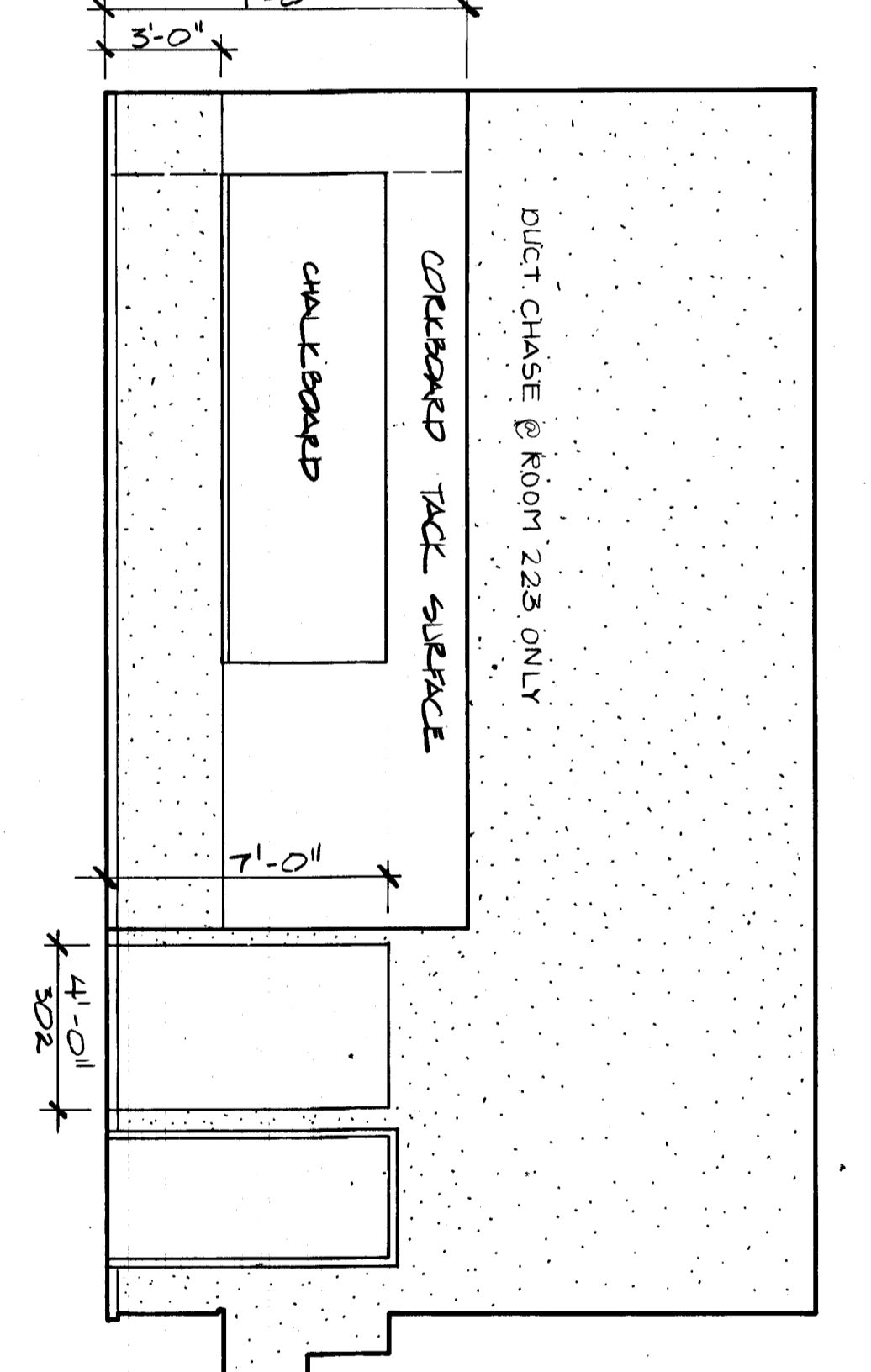
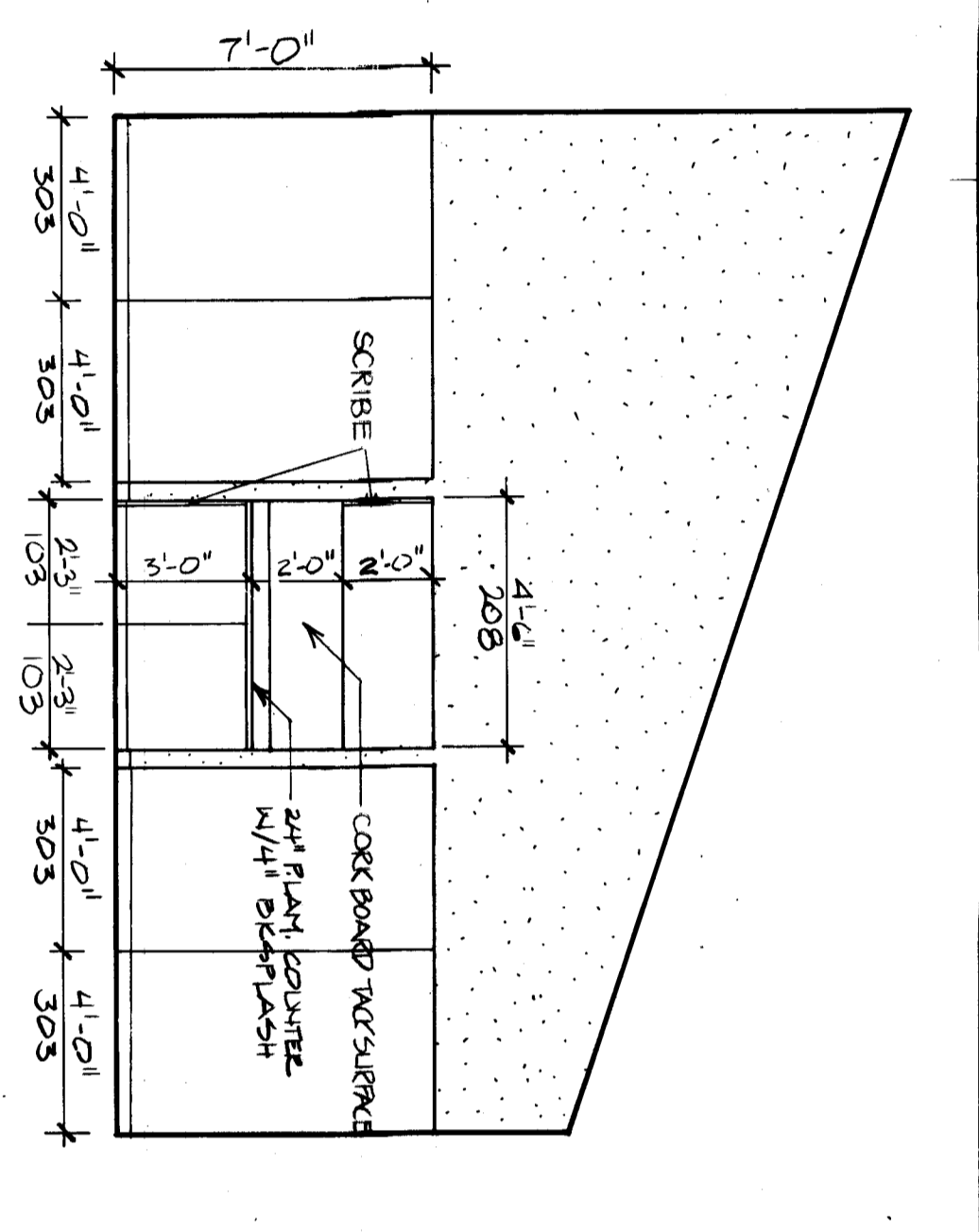
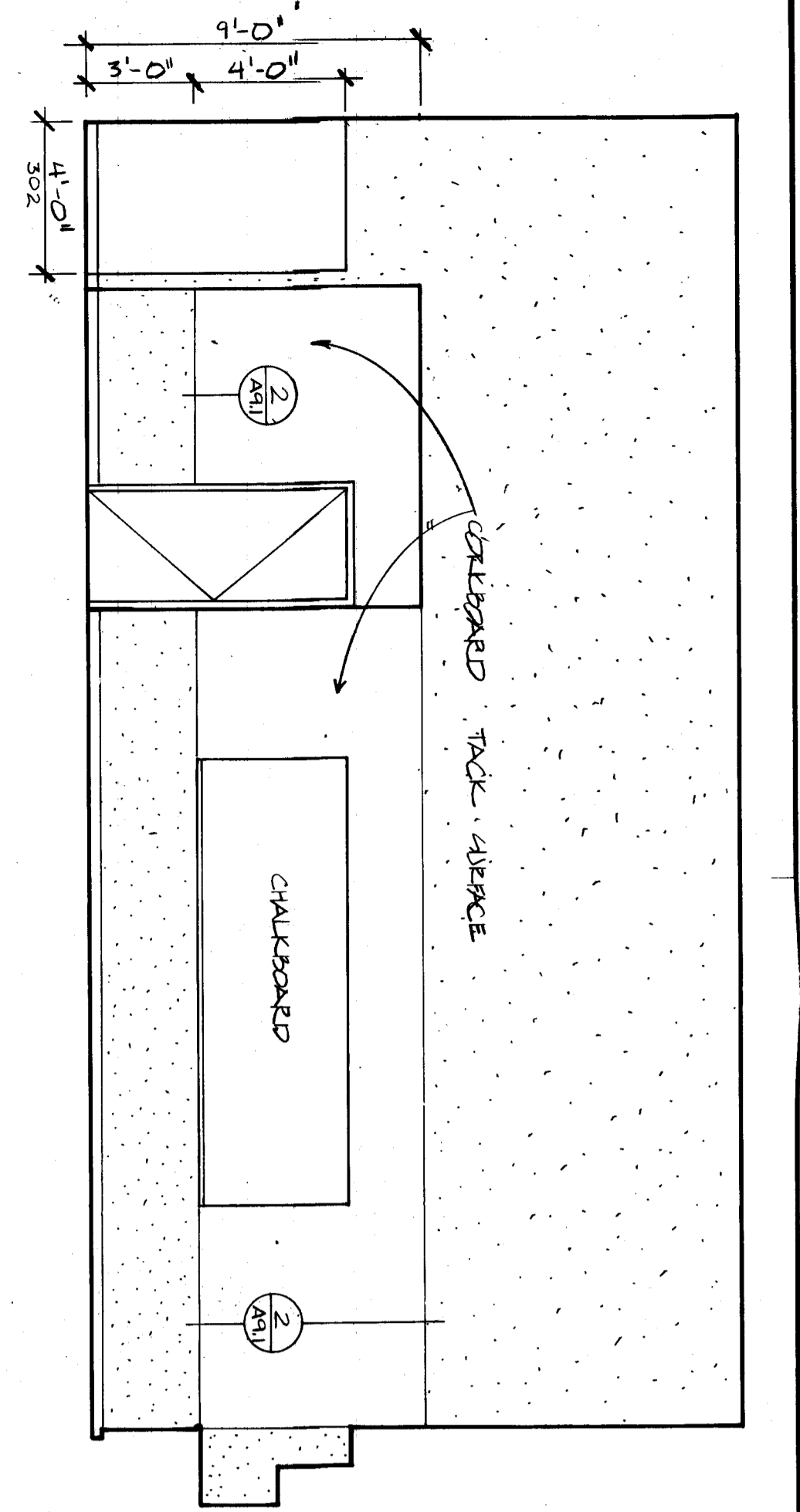
**ackley  
jensen**  
architects inc  
P.O. Box 310, Juneau Alaska, 99801

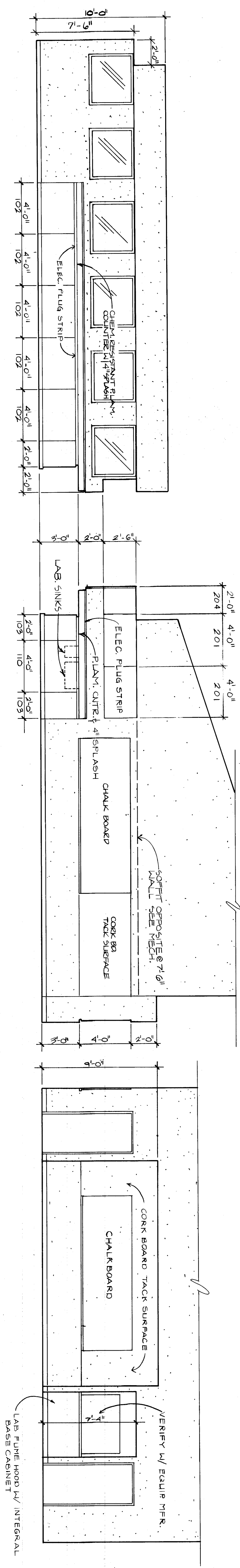


**WRANGELL  
HIGH SCHOOL**  
JOB NO. : 348  
DRAWN BY :  
TITLE :  
**Interior Elevations**  
SHEET NO. :  
**A5.1**  
DATE : June 15, 1984



SHEET	TL

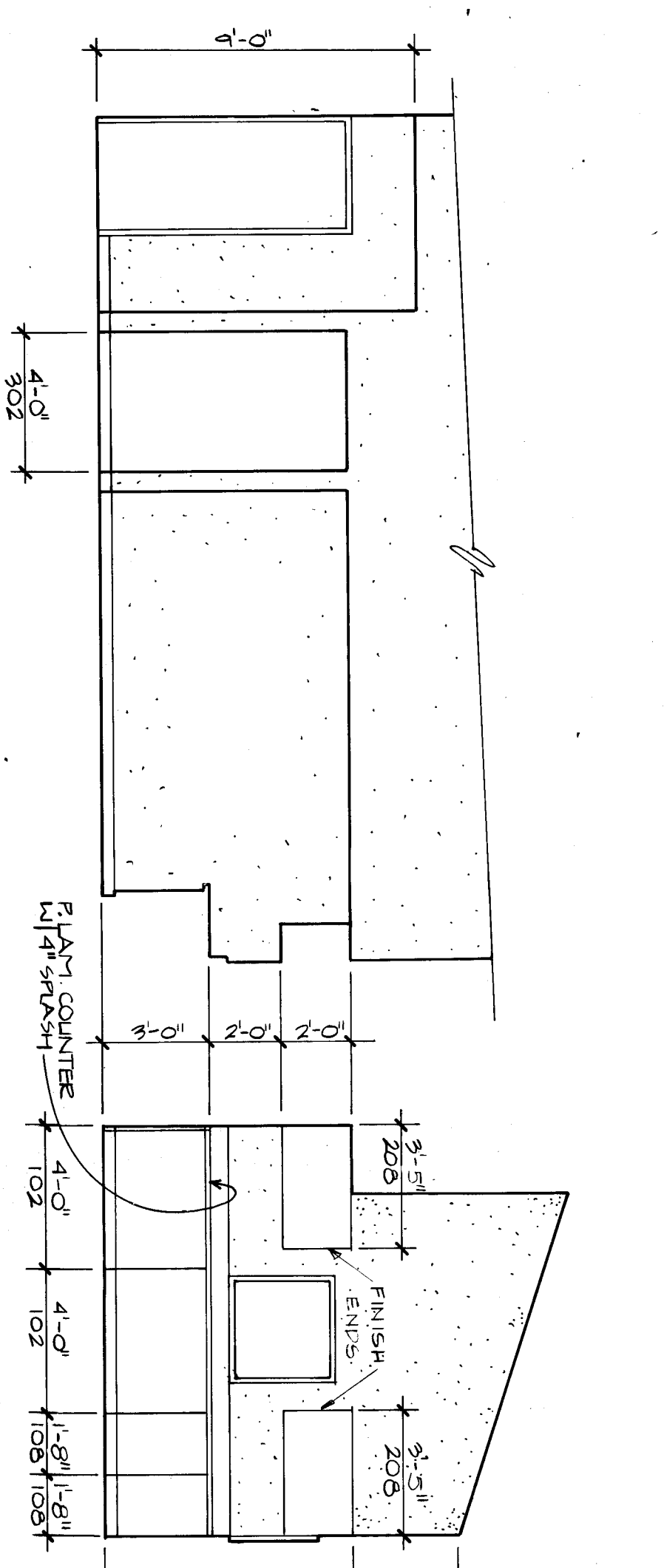




200 SCIENCE

200 SCIENCE

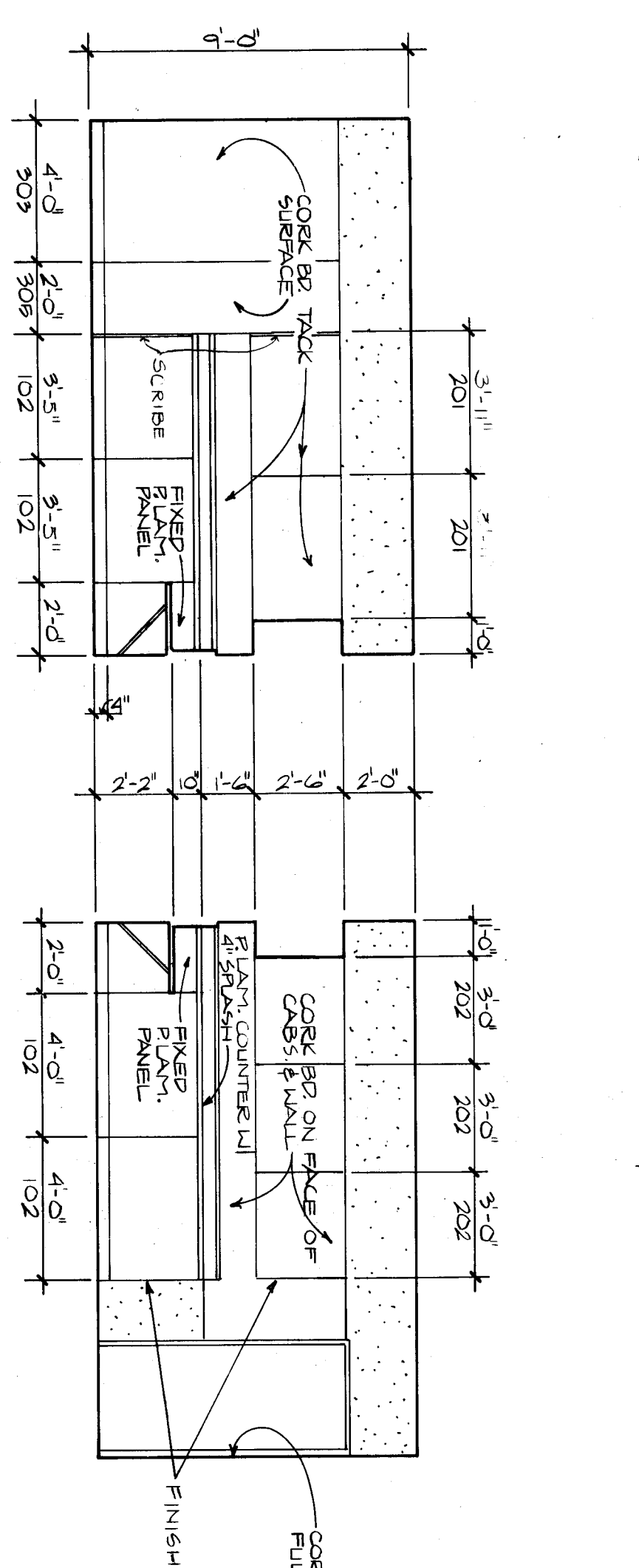
206 3'X3' ROOM



203 OFFICE

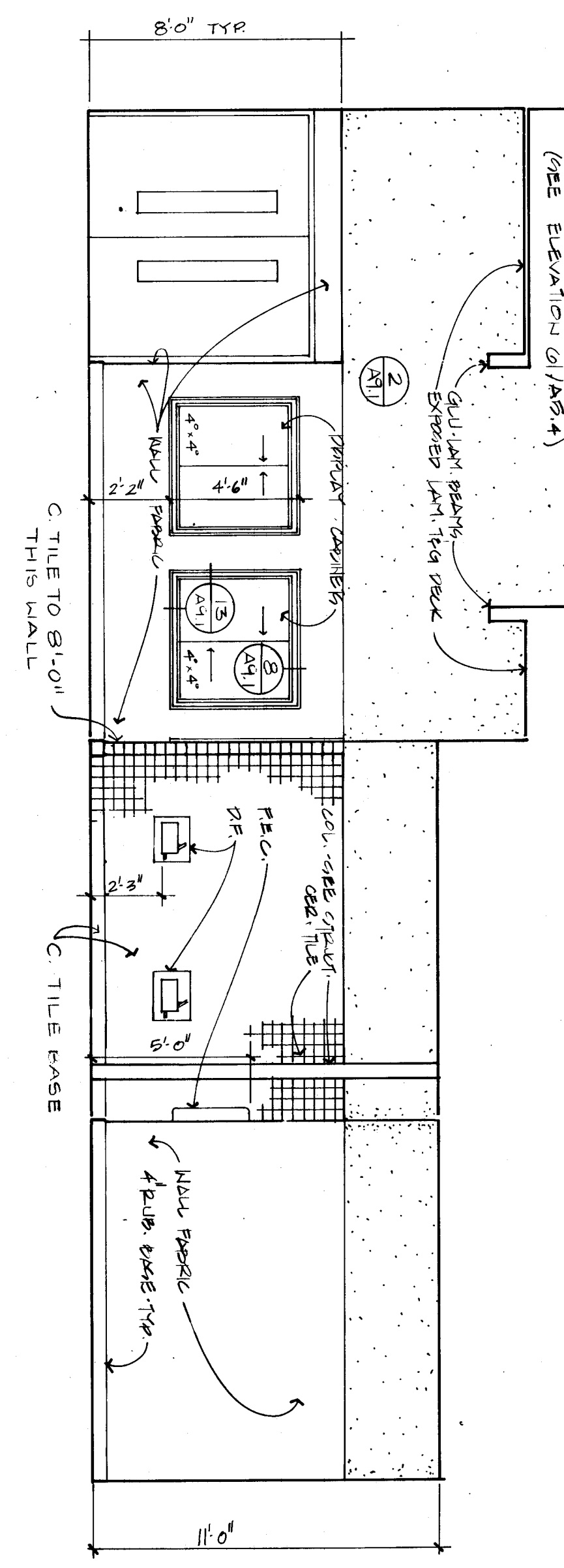
203 OFFICE

207 WORKROOM

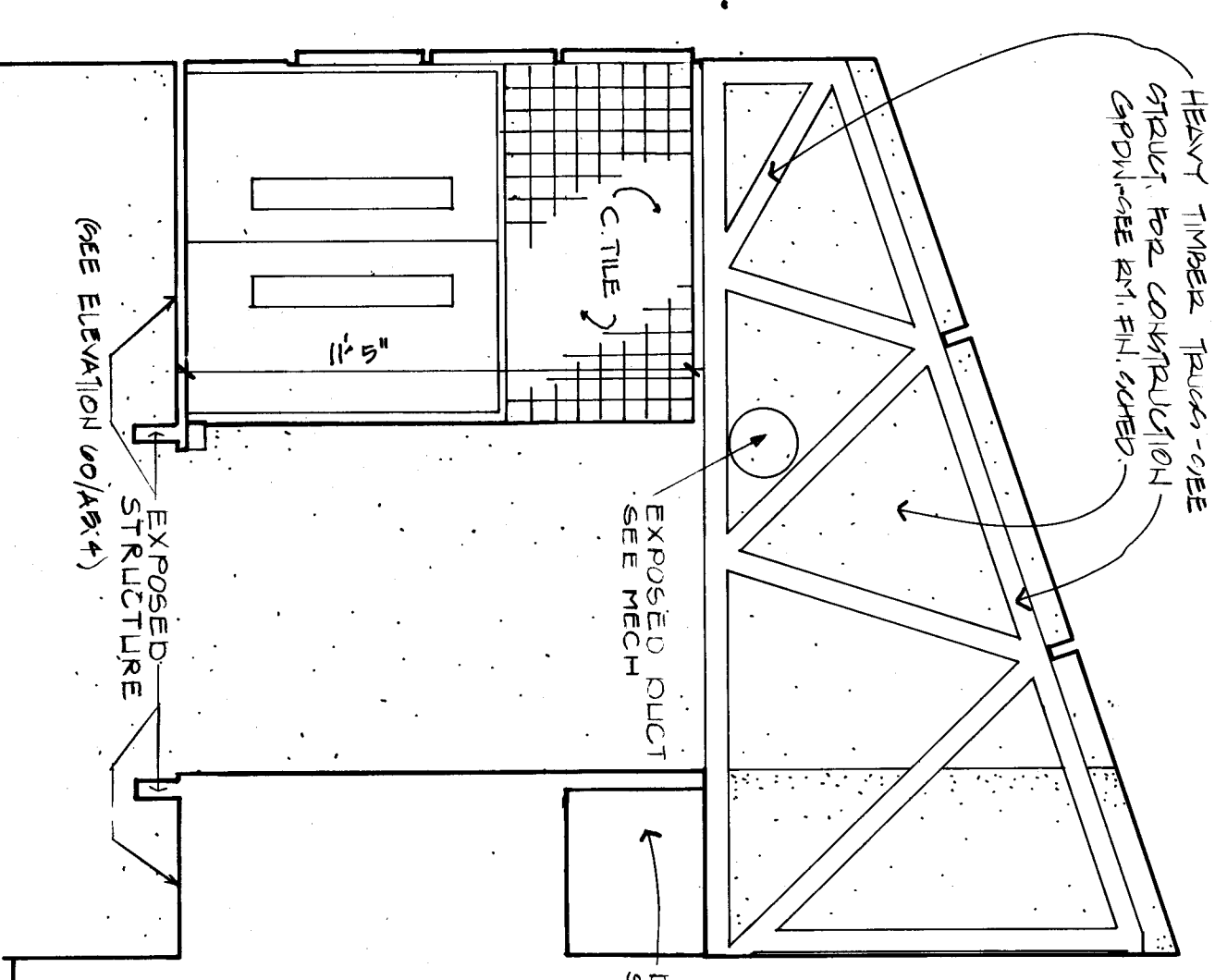


207 WORKROOM

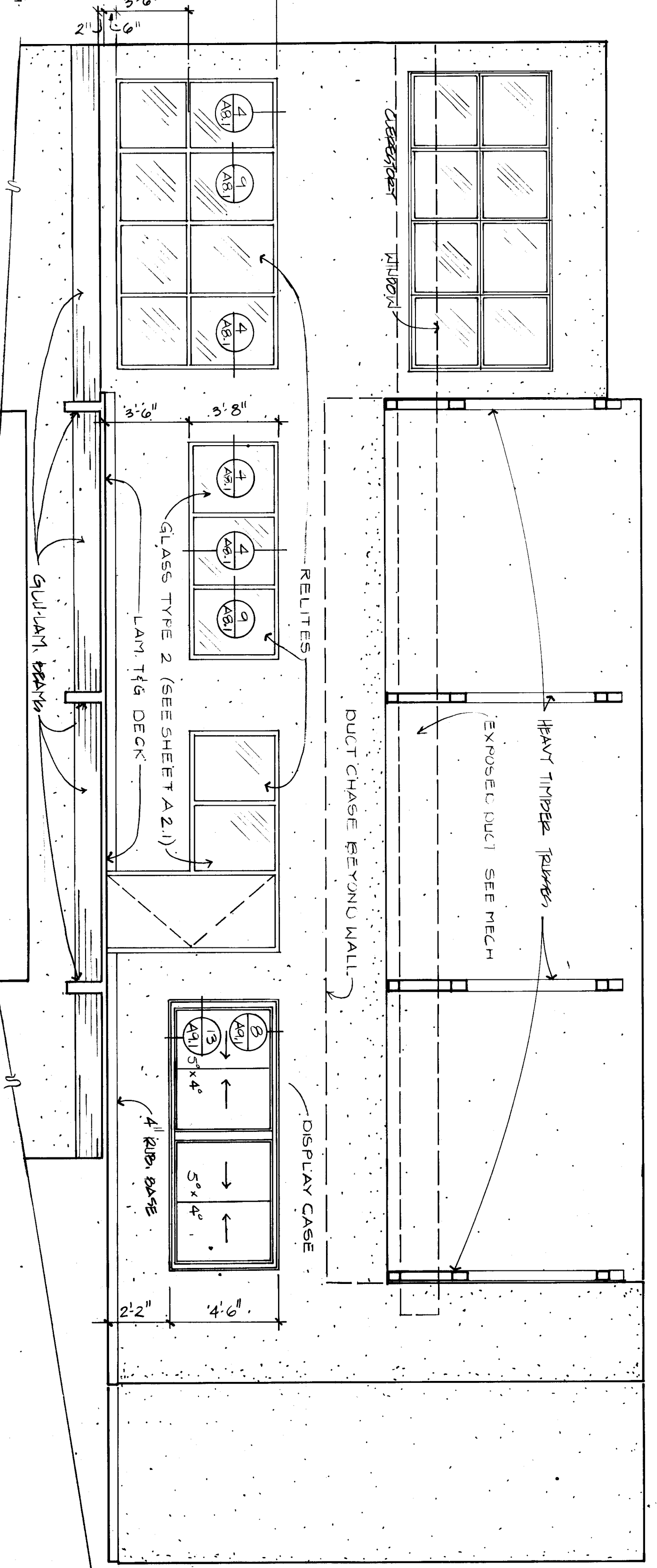
207 WORKROOM



204 CONTROL



201 ENTRY



201 ENTRY



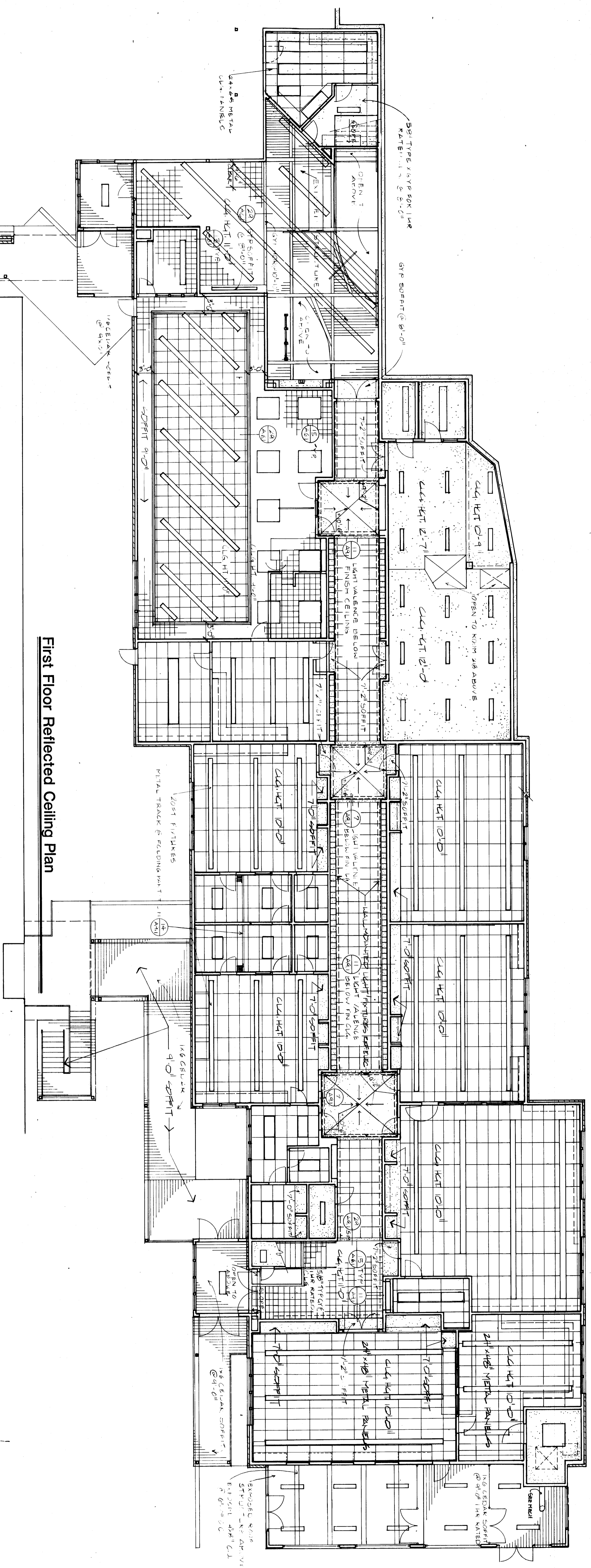
WRANGELL  
HIGH SCHOOL

JOB NO. : 349  
DRAWN BY :  
TITLE :  
Interior Elevations

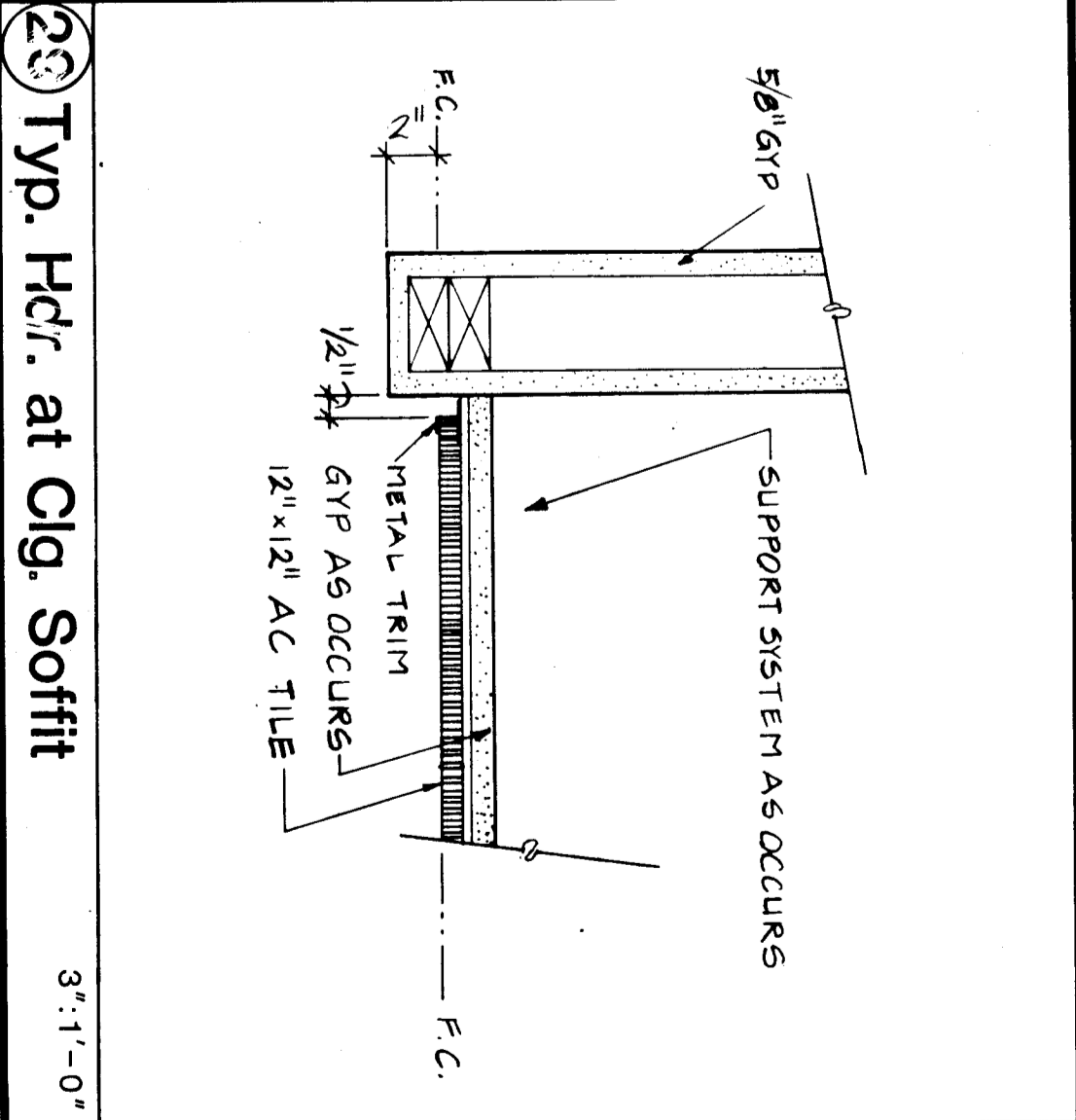
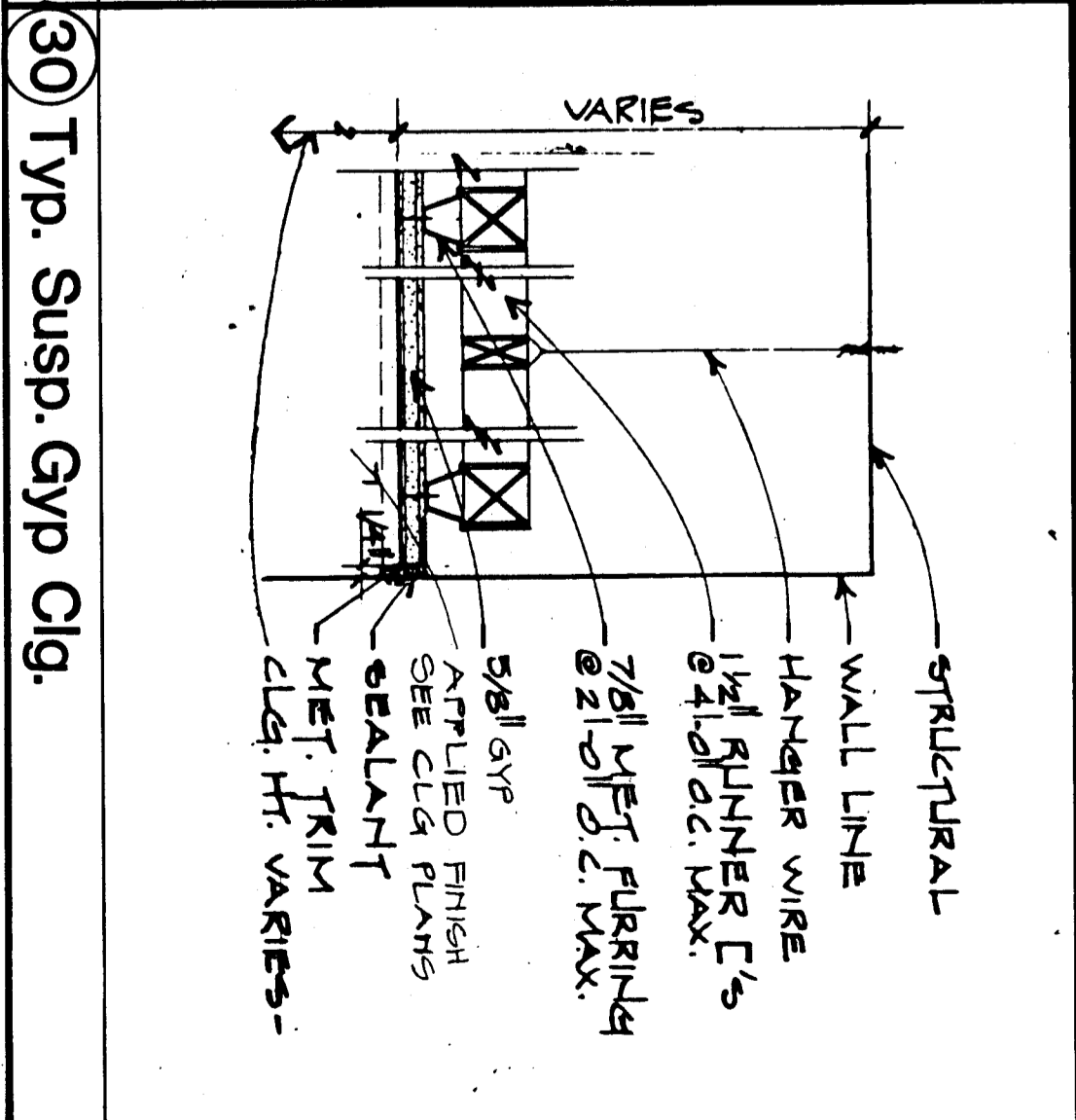
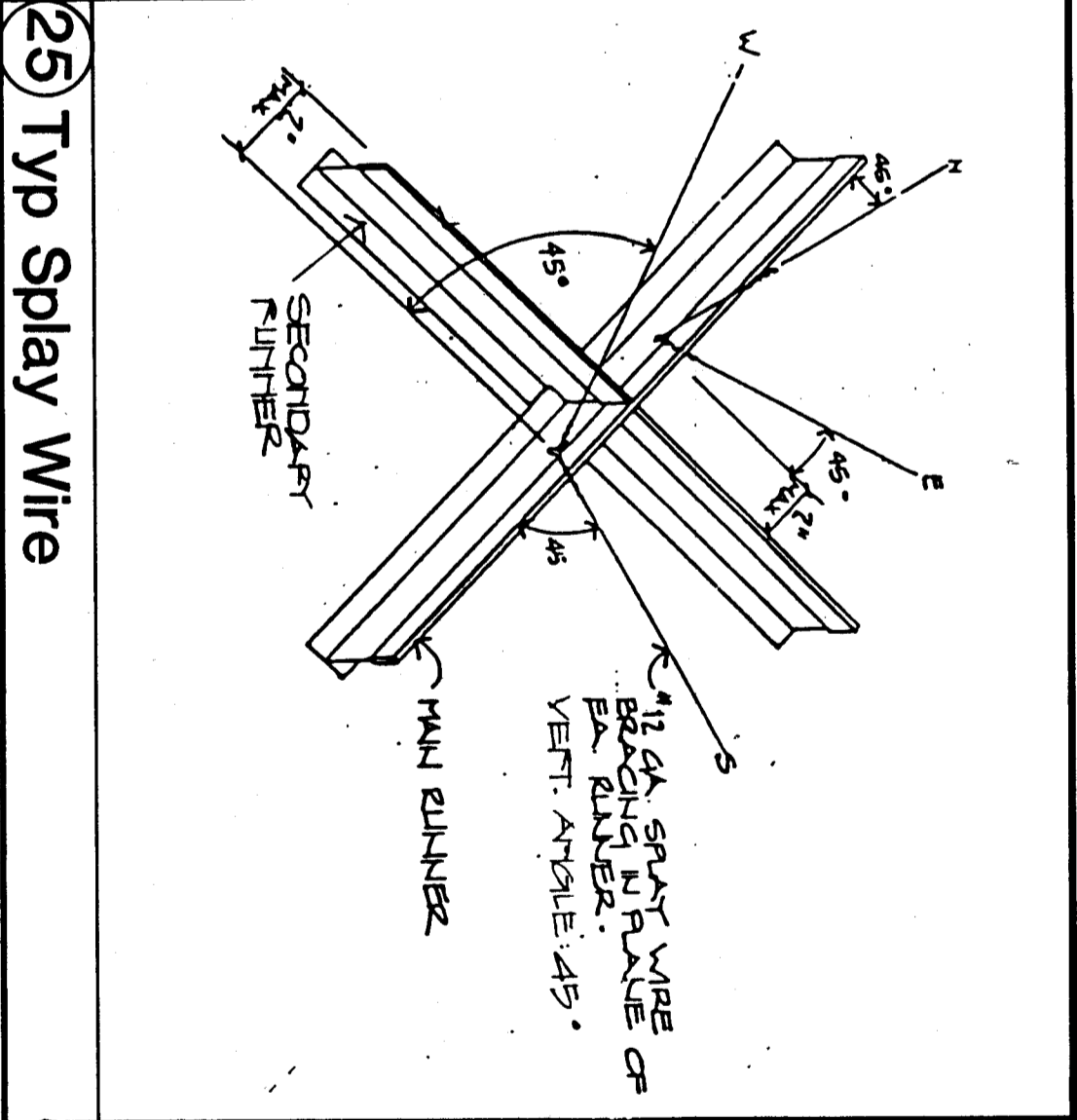
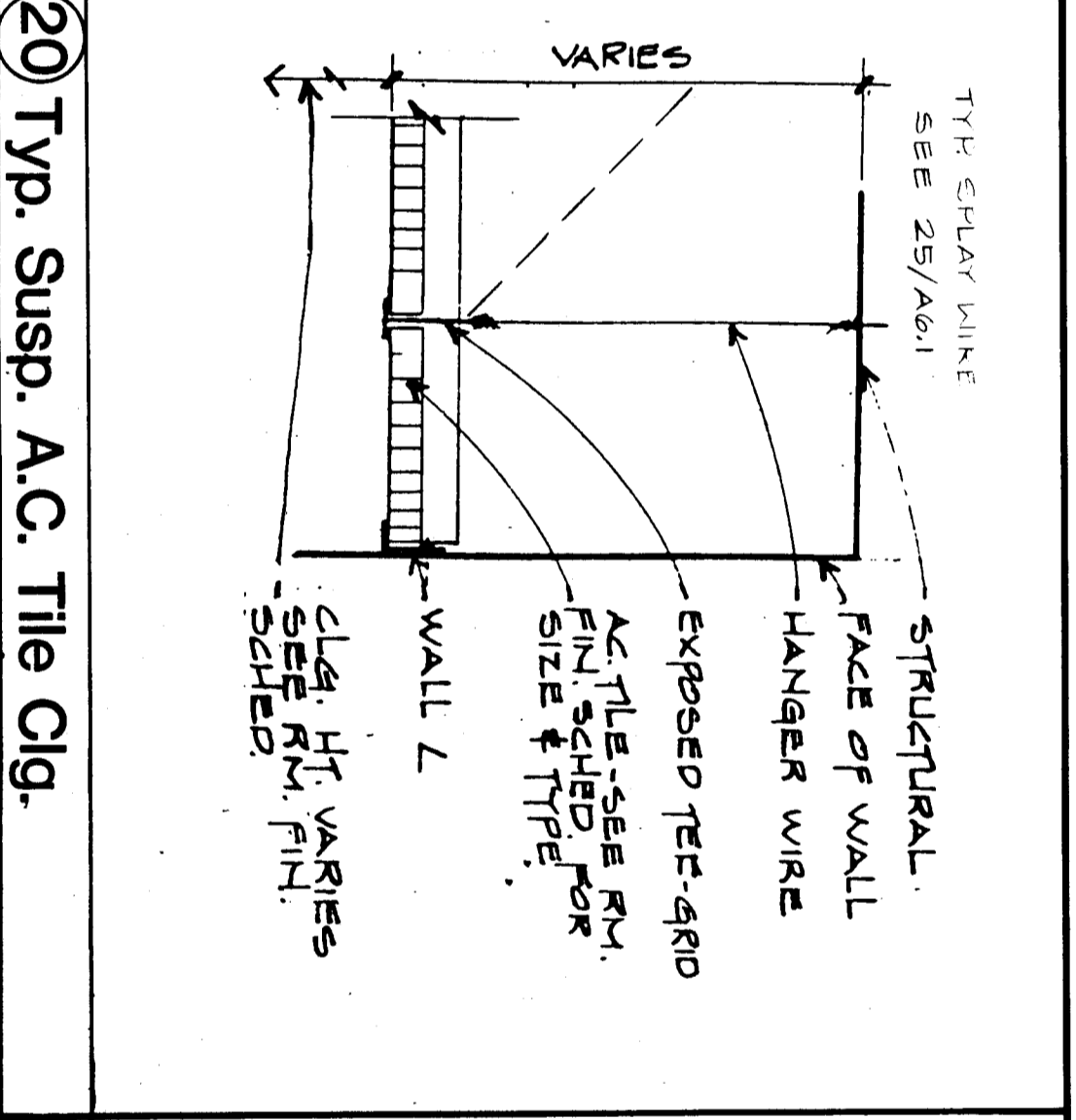
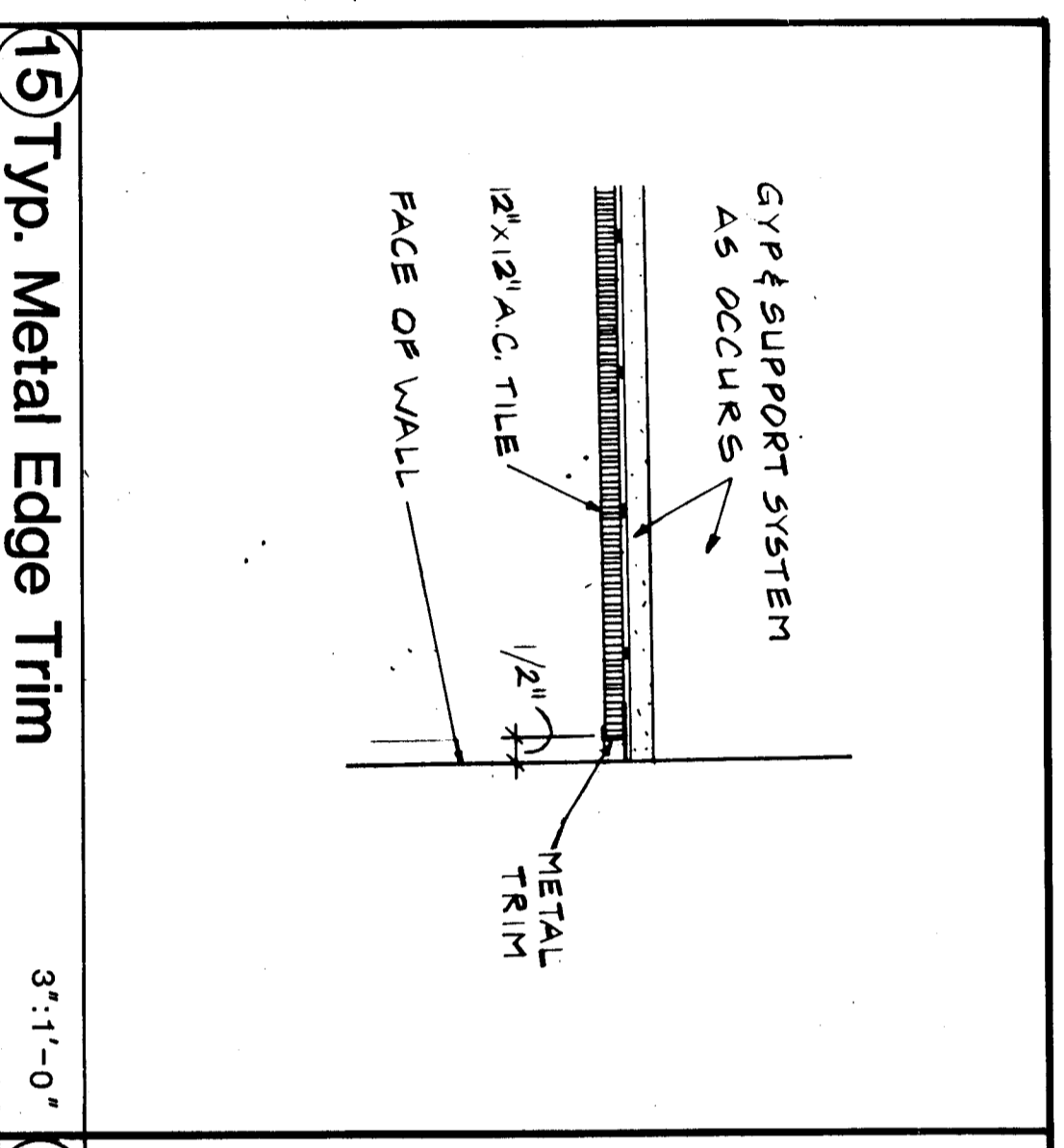
SHEET NO. :  
A5.4

DATE : June 15, 1984

**ackley  
jensen**  
architects inc.  
P.O. box 310, Juneau, Alaska, 99801



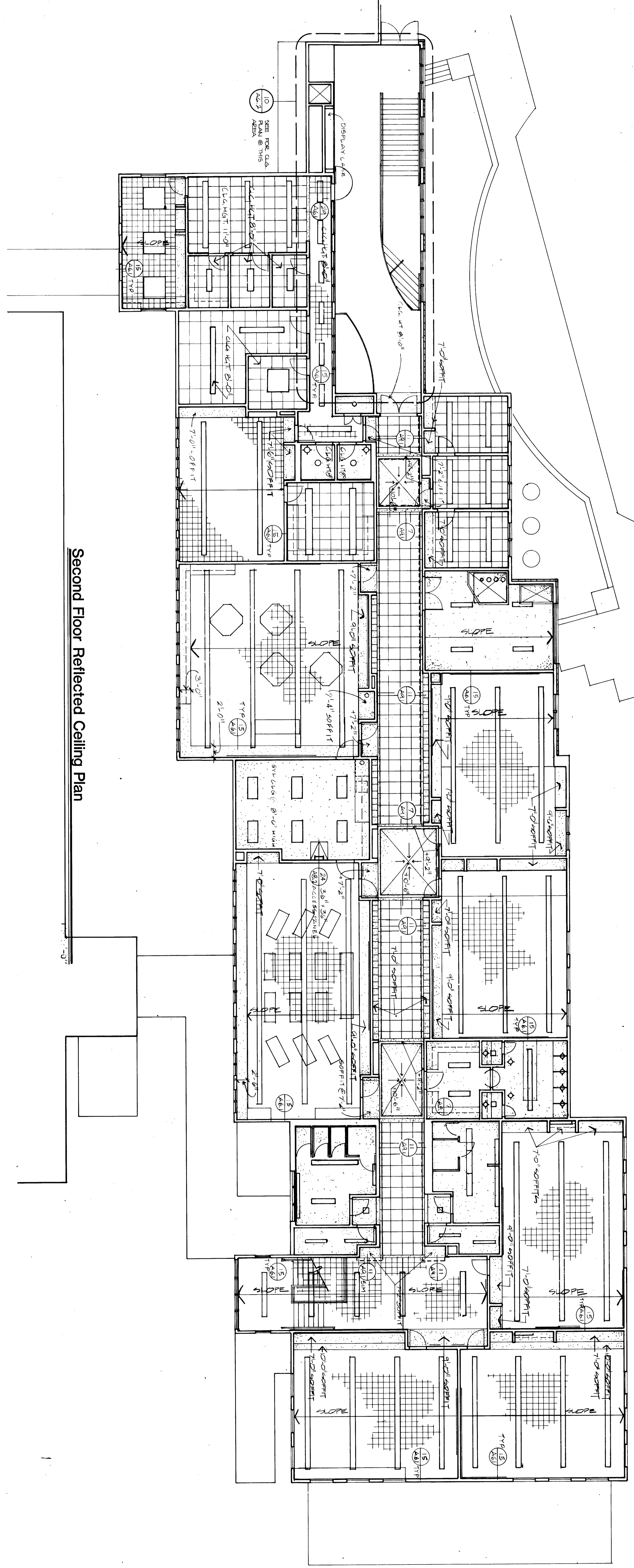
First Floor Reflected Ceiling Plan



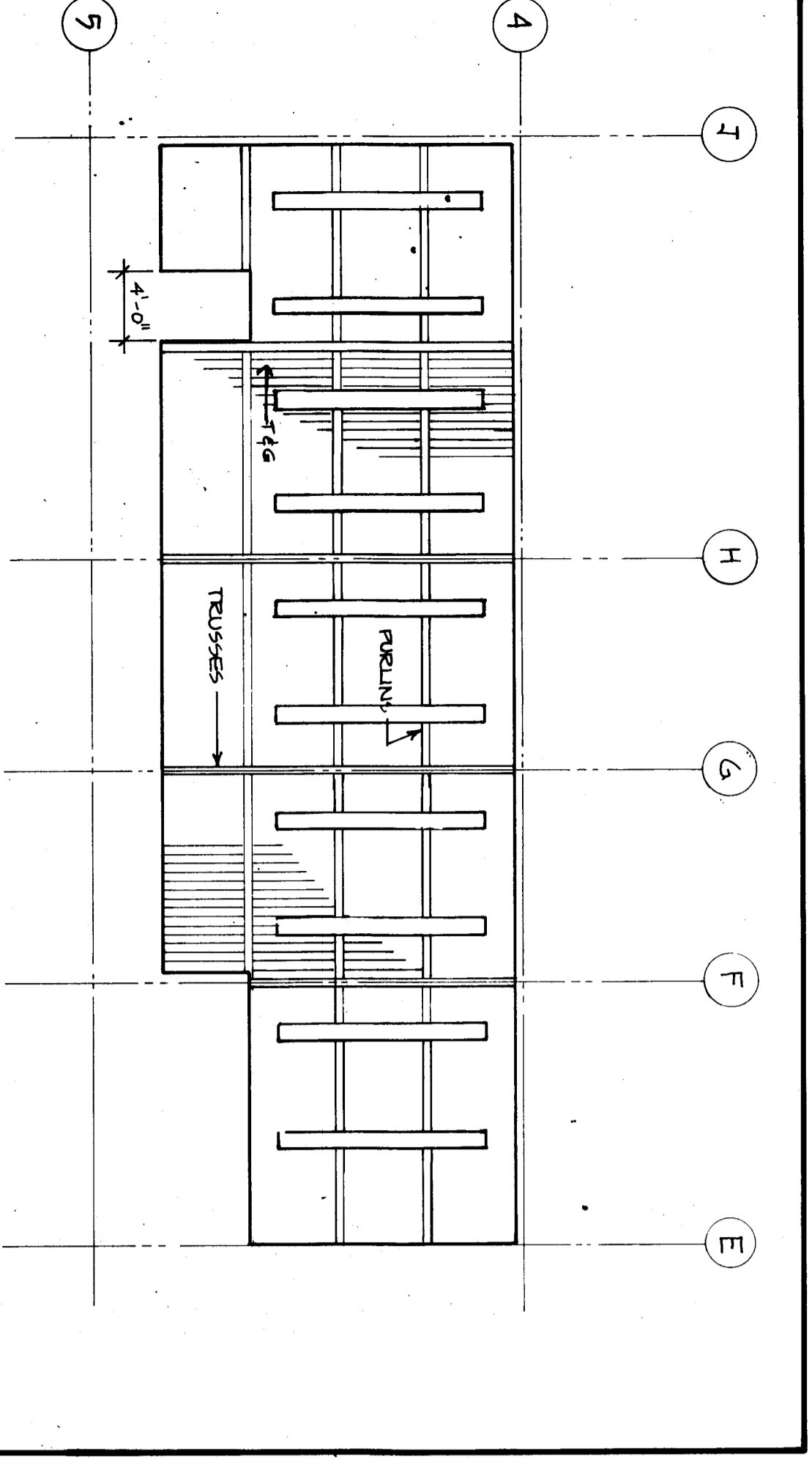
LEGEND

	Exposed Structural T&G Deck U.N.O.
	Acoustical Tile (12'x12')
	Suspended Acoust. Tile (24'x24')
	Suspended Acoust. Tile (24'x48')
	5/8" GPDW





Second Floor Reflected Ceiling Plan



Partial Cig. Plan at Entry

LEGEND

	Exposed Structural T&G Deck U.N.O.
	Acoustical Tile (12' x 12') U.N.O.
	Suspended Acoust. Tile (24' x 24') U.N.O.
	Suspended Acoust. Tile (24' x 48') U.N.O.
	5/8" GPDW.

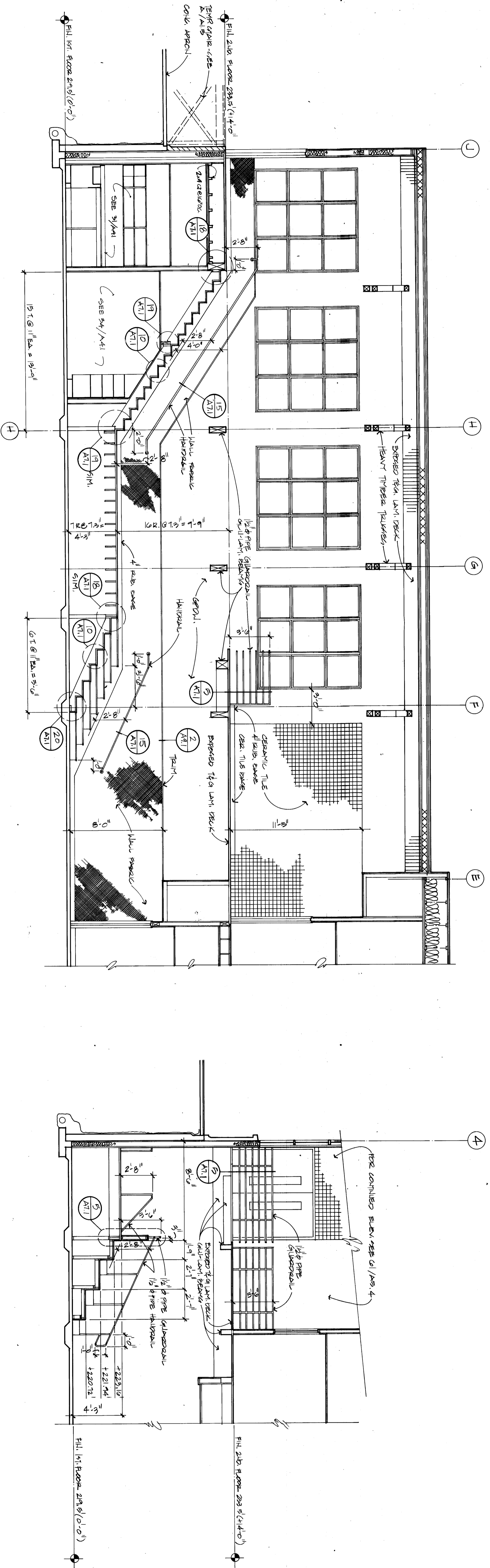


WRANGELL  
 HIGH SCHOOL

JOB NO.: 349  
 DRAWN BY:  
 TITLE:  
 Second Floor  
 Reflected Ceiling Plan

SHEET NO.:  
 A62  
 DATE: June 15, 1984



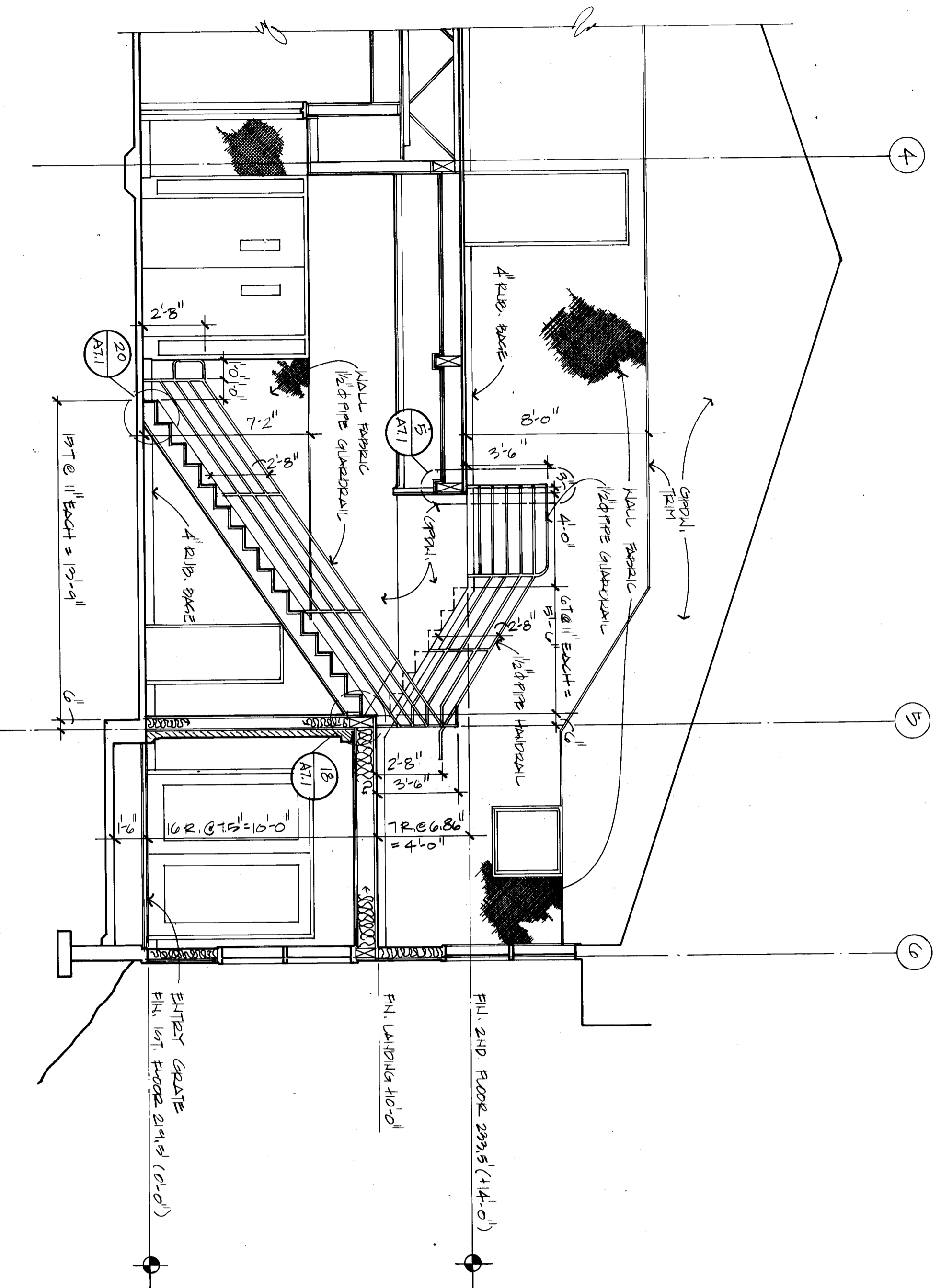


1 101 Stair #1

1/4"=1'-0"

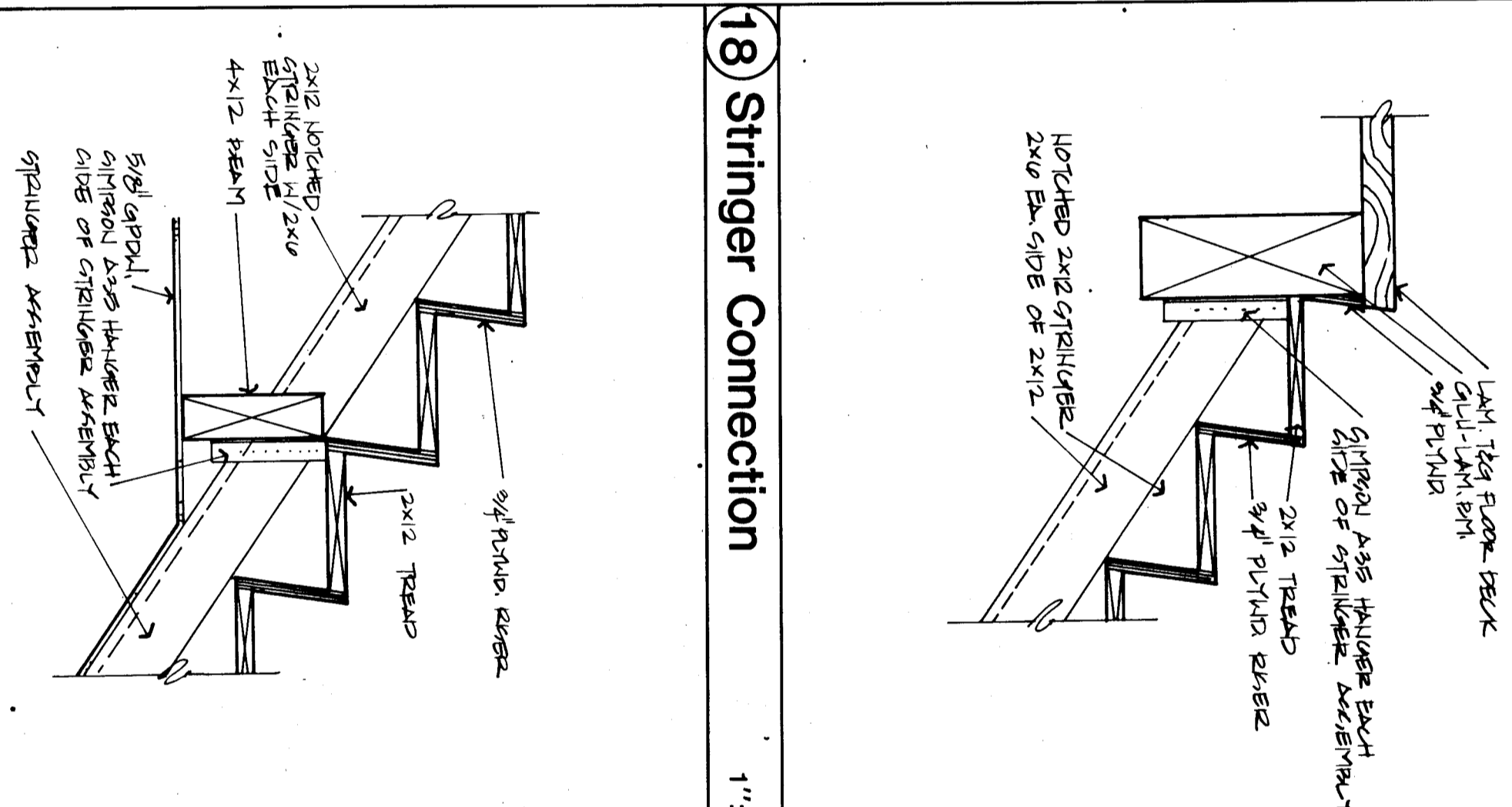
2 101 Stair #1

1/4"=1'-0"



3 125 Stair #2

1/4"=1'-0"

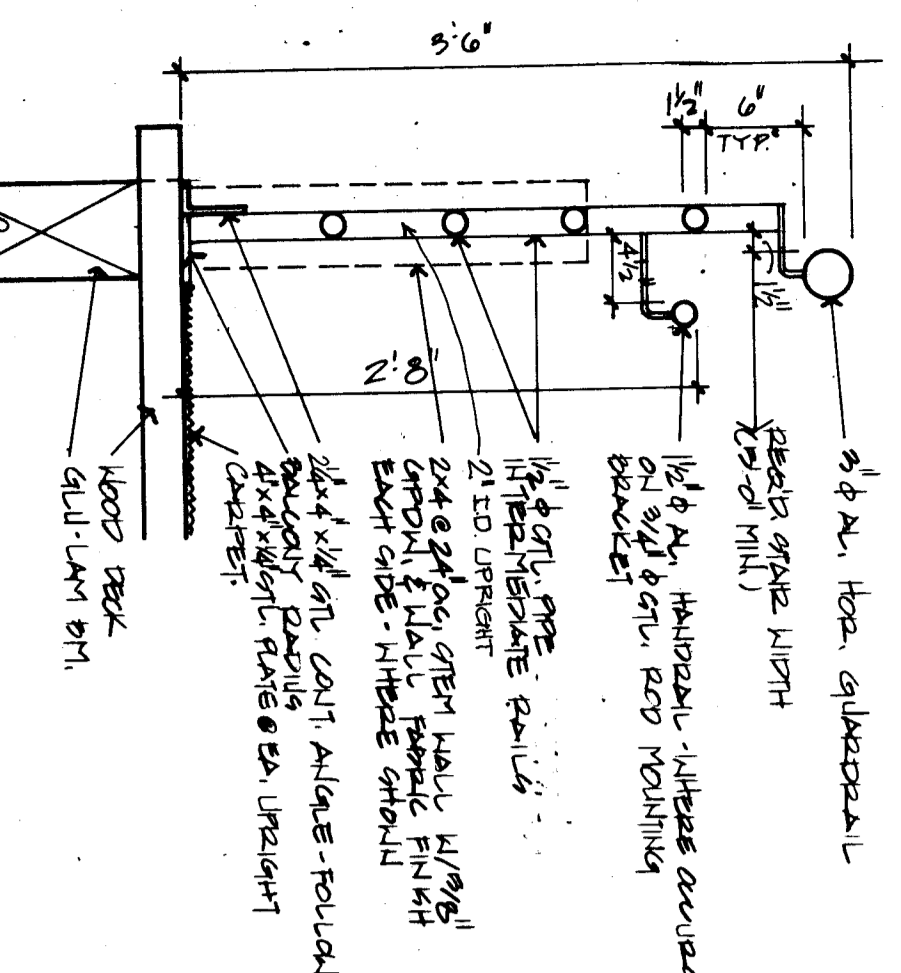


18 Stringer Connection

1"=1'-0"

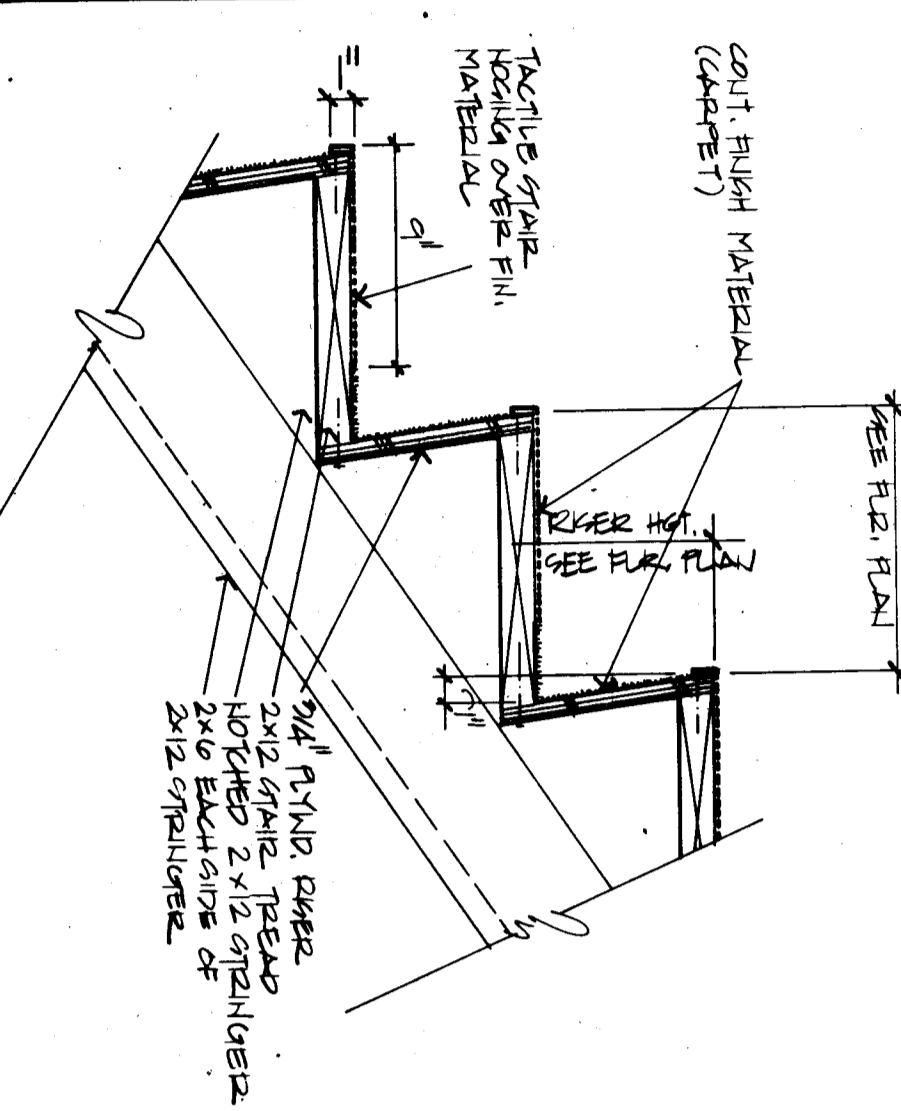
19 Intermediate Support

1"=1'-0"



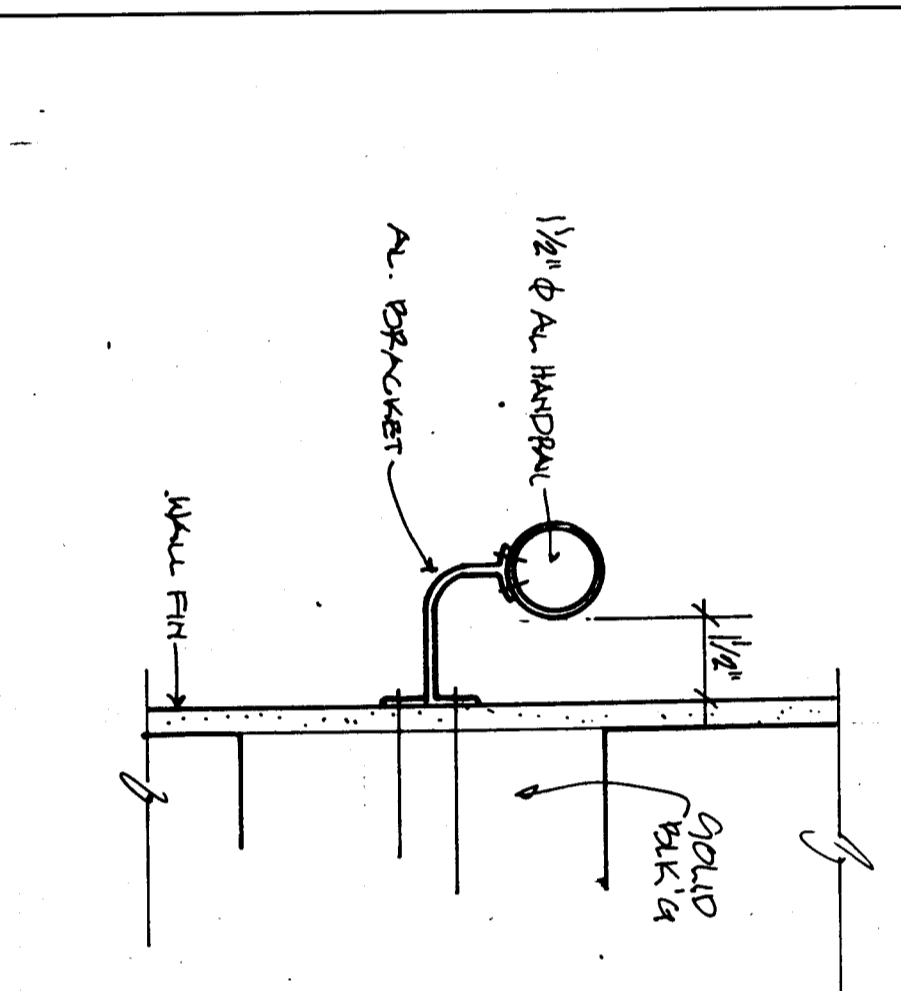
5 Guardrail

1"=1'-0"

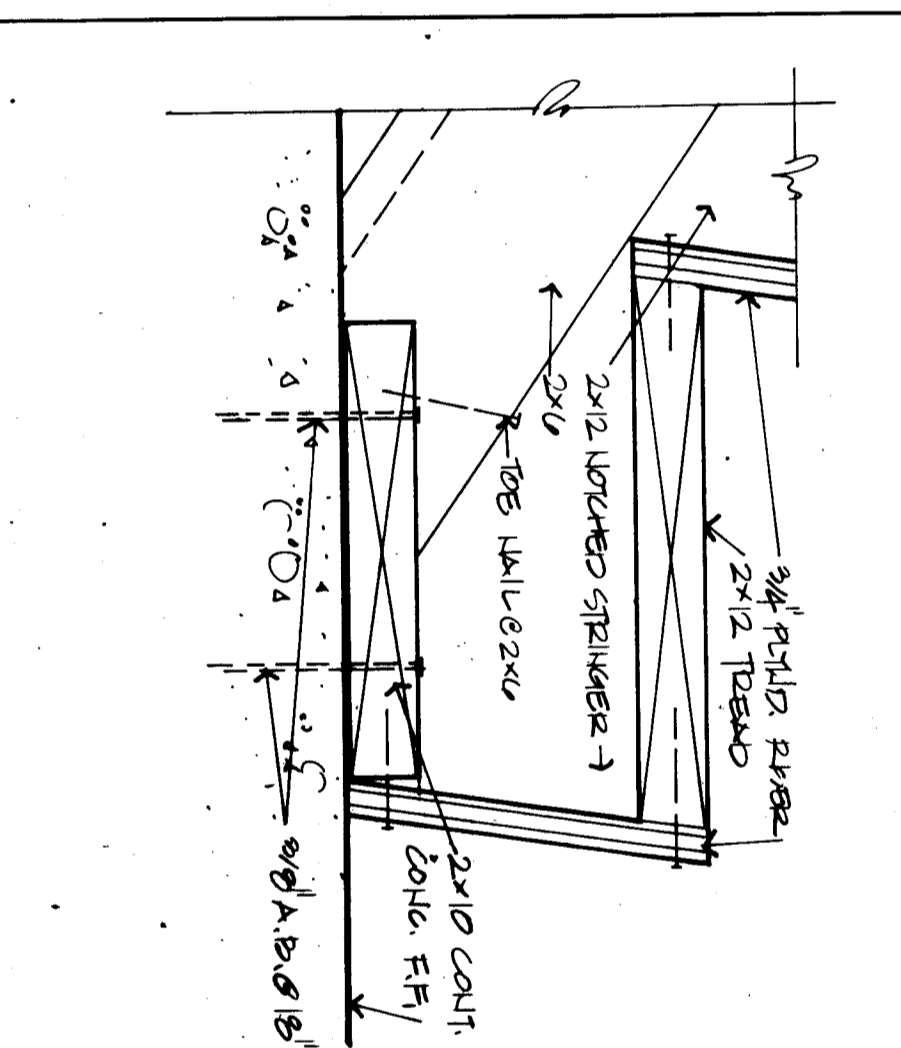


10 Typical Stair

1 1/2"=1'-0"



15 Handrail



20 Stringer Base Anchor

3"=1'-0"



WRANGELL  
HIGH SCHOOL

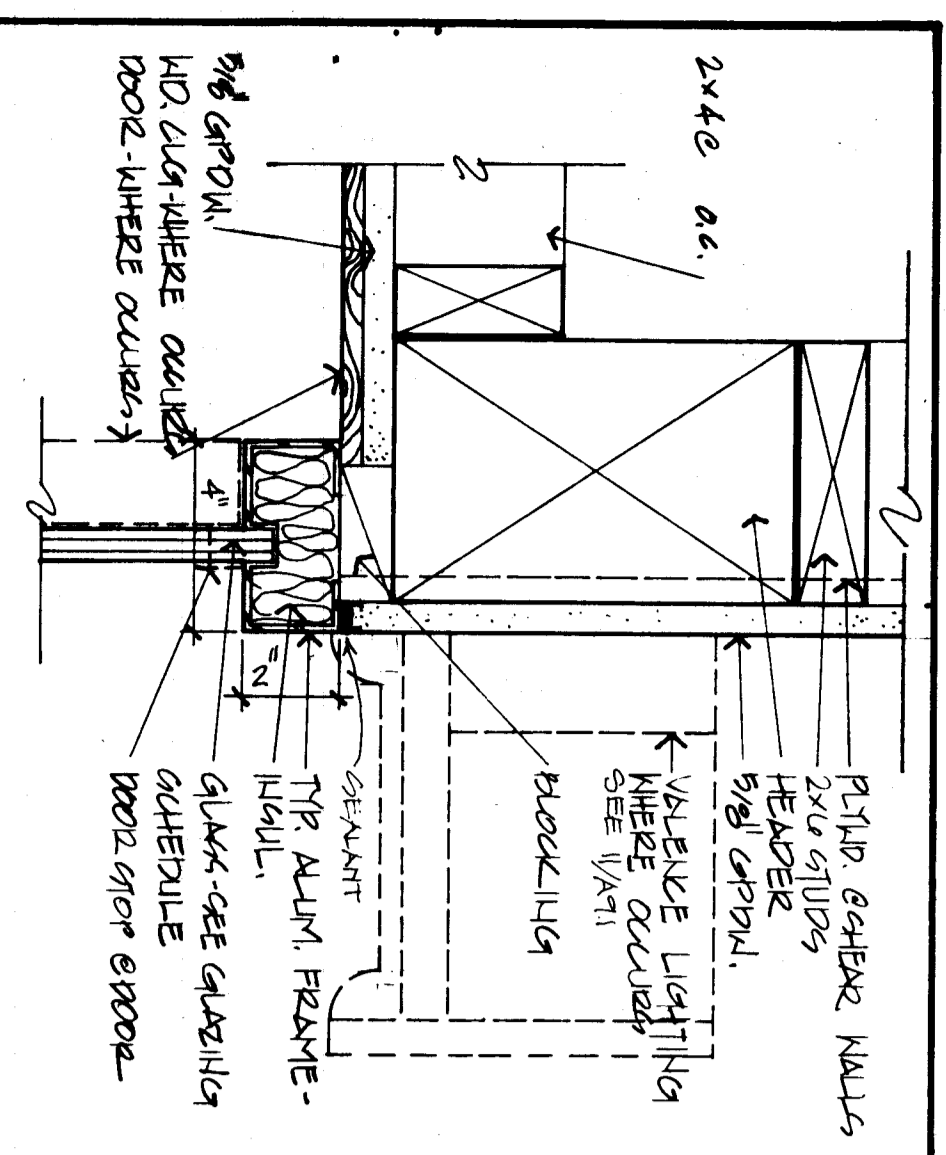
JOB NO.: 349  
DRAWN BY: M.A.R.  
TITLE:  
Stair Sections,  
Details

SHEET NO.:

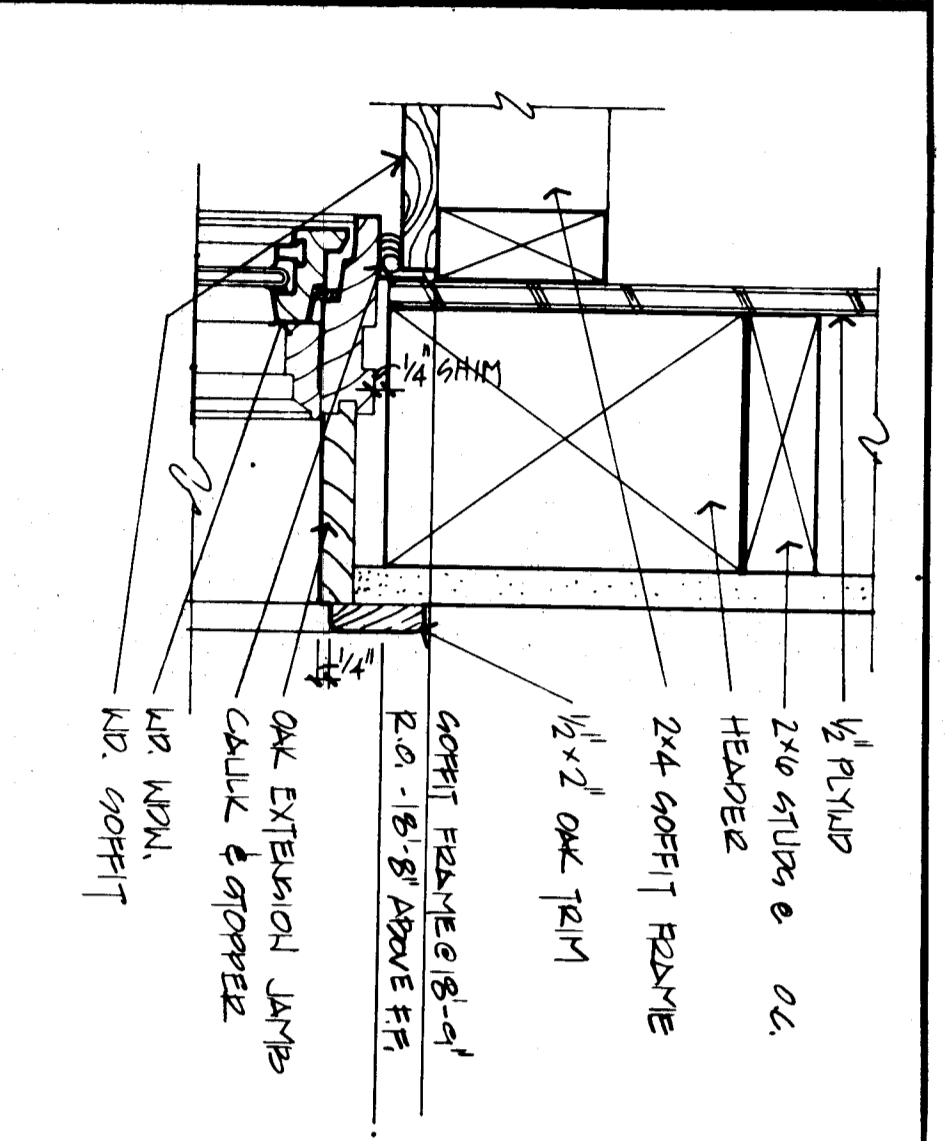
A7.1

DATE: June 15, 1984

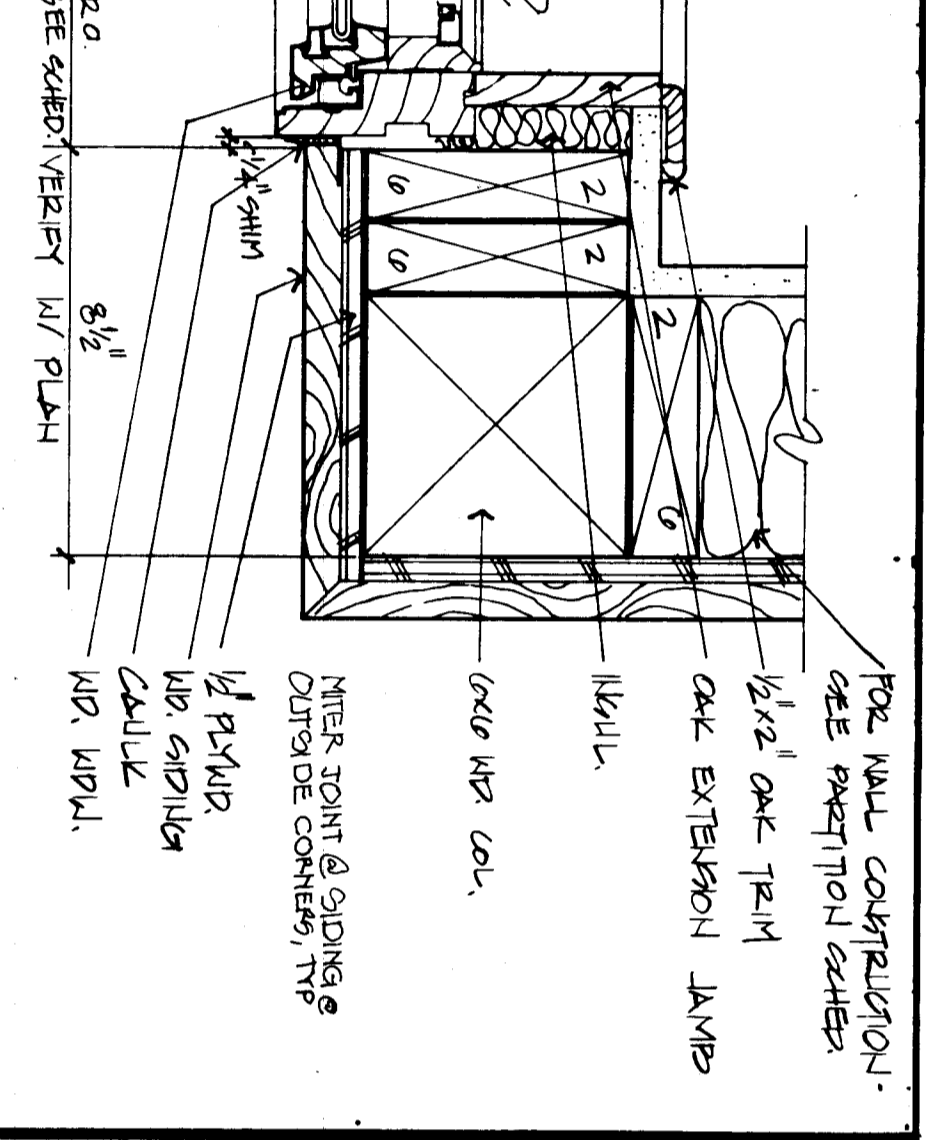
ackley  
jensen  
architects inc  
p.o. box 310 Juneau, Alaska, 99801



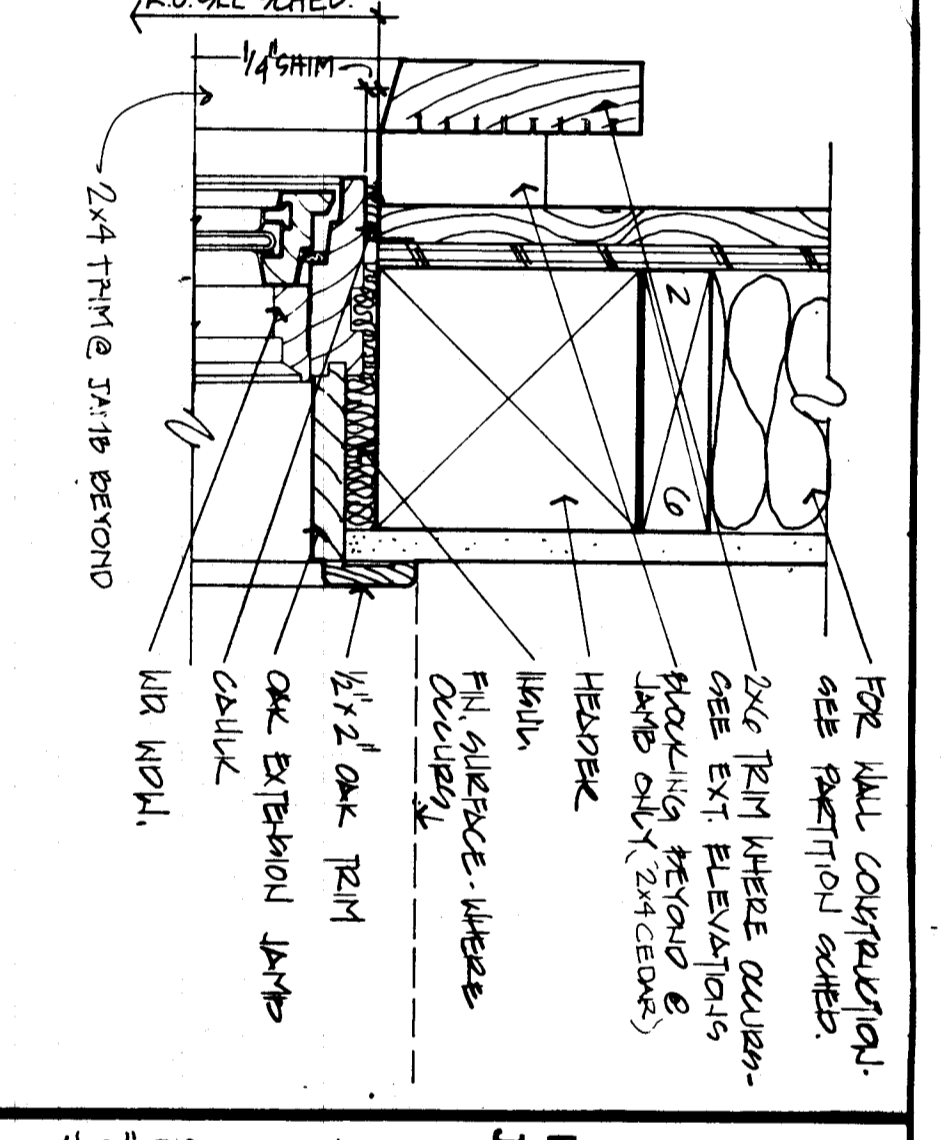
1 Head



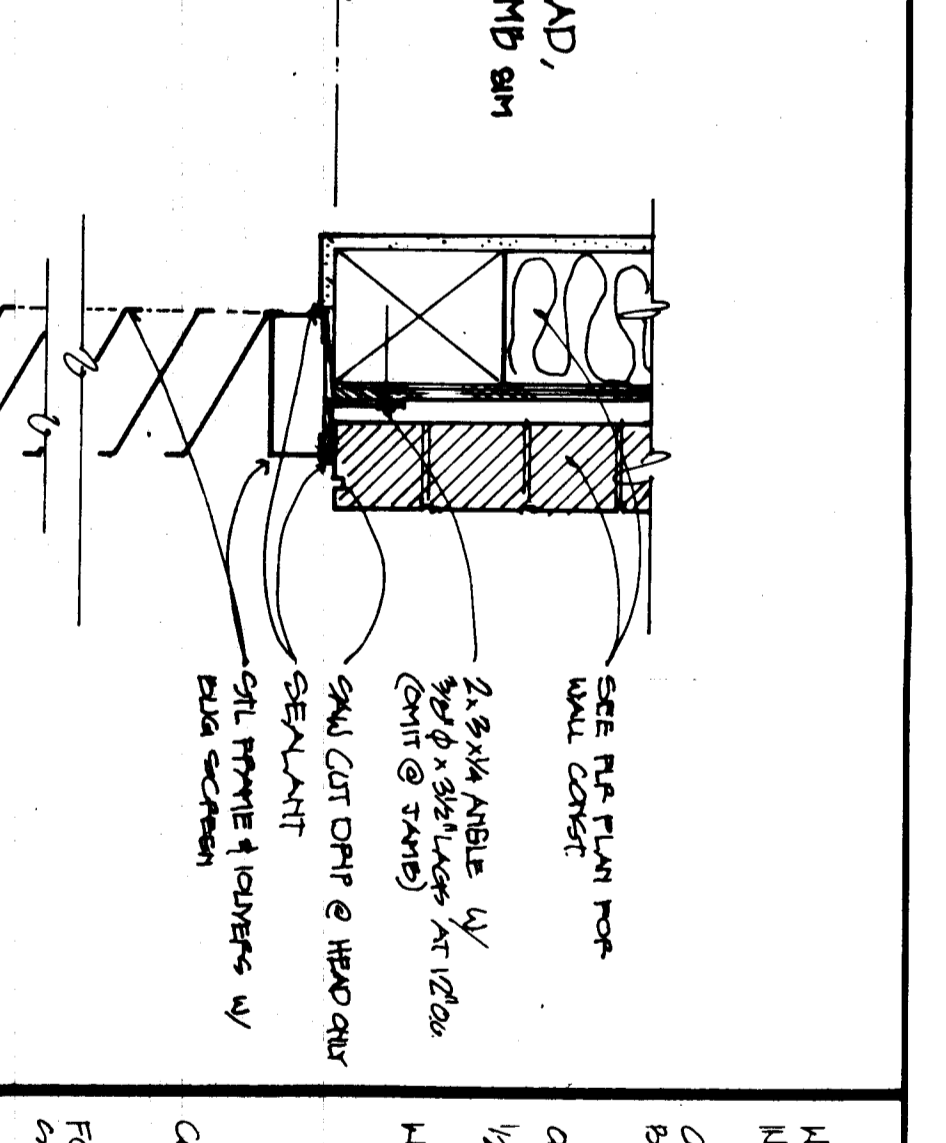
6 Head



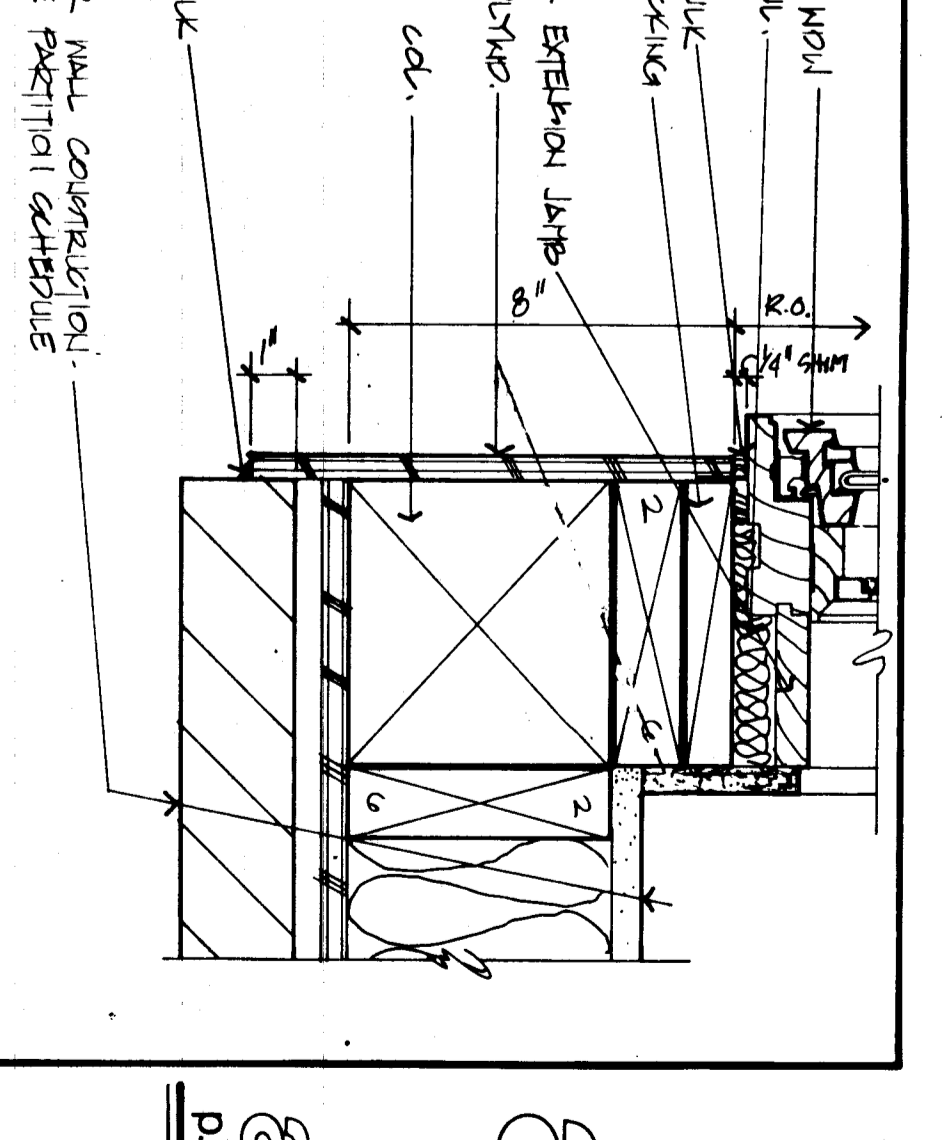
11 Jamb



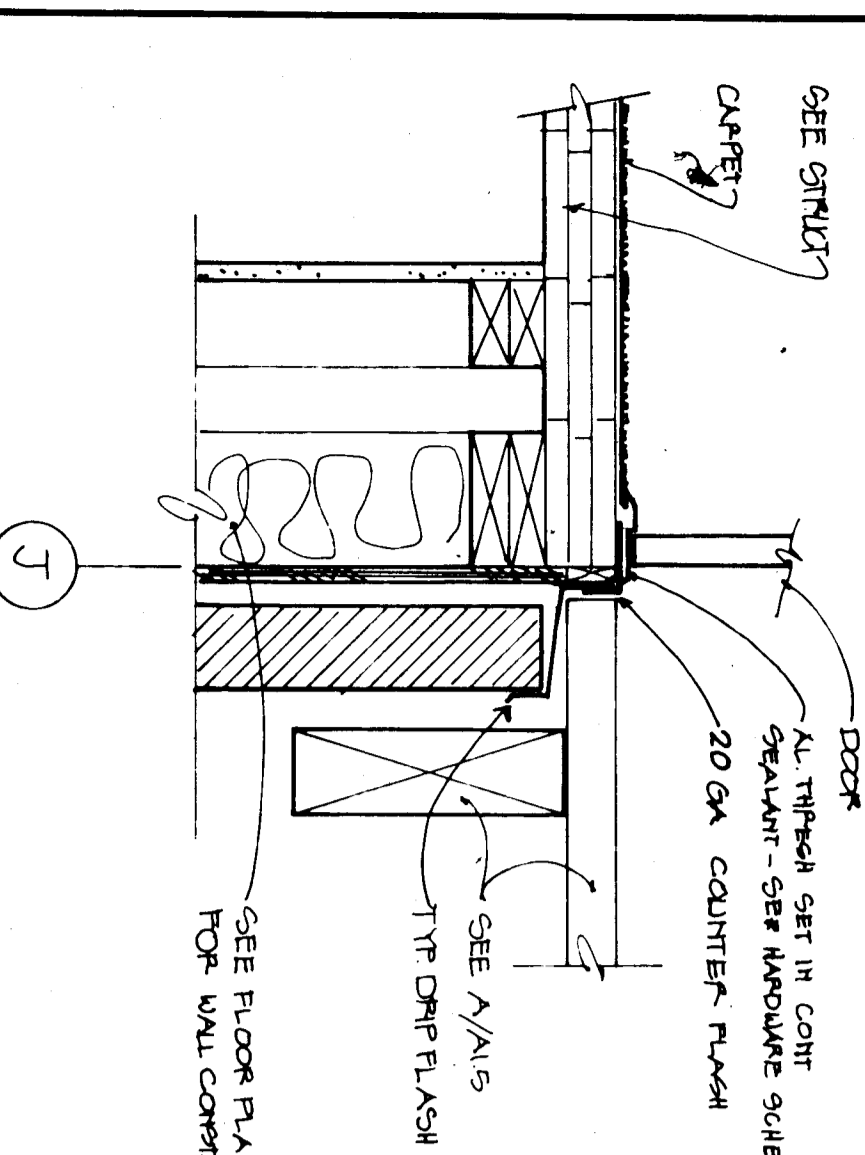
16 Head, Jamb sim.



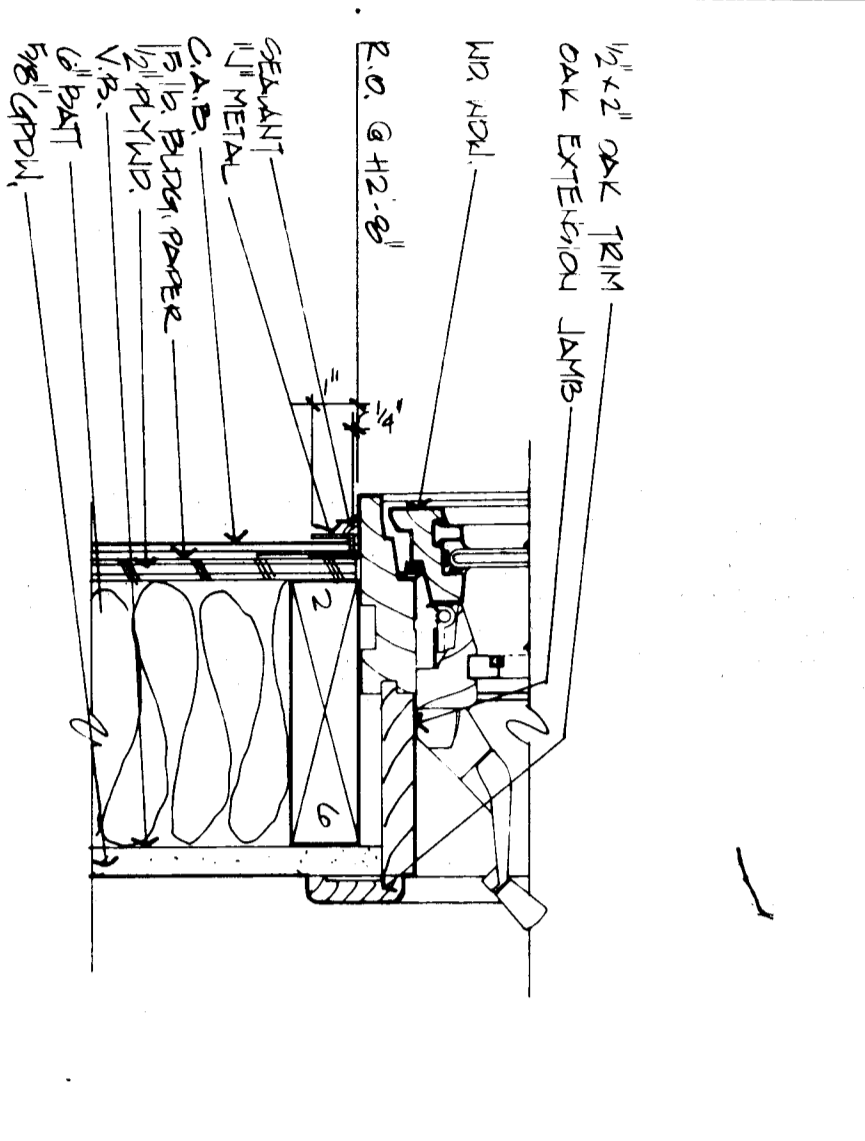
21 Lower



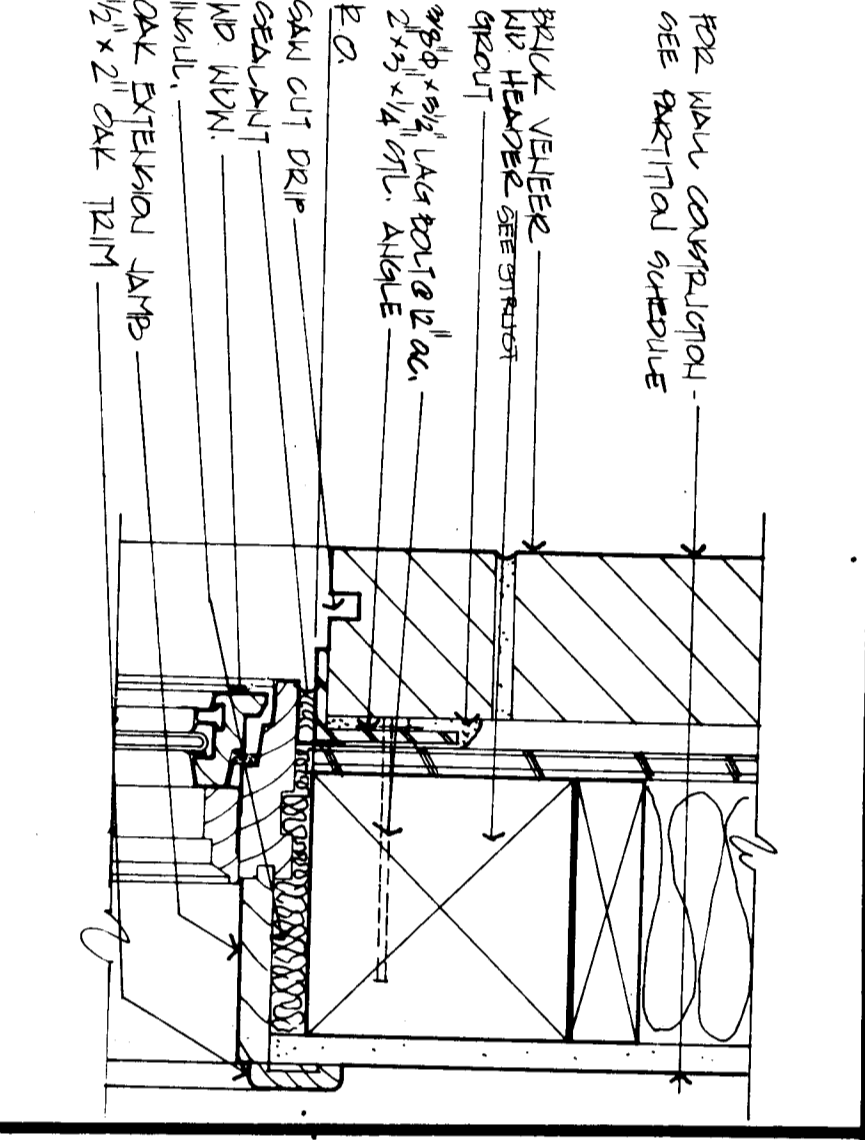
26 Jamb



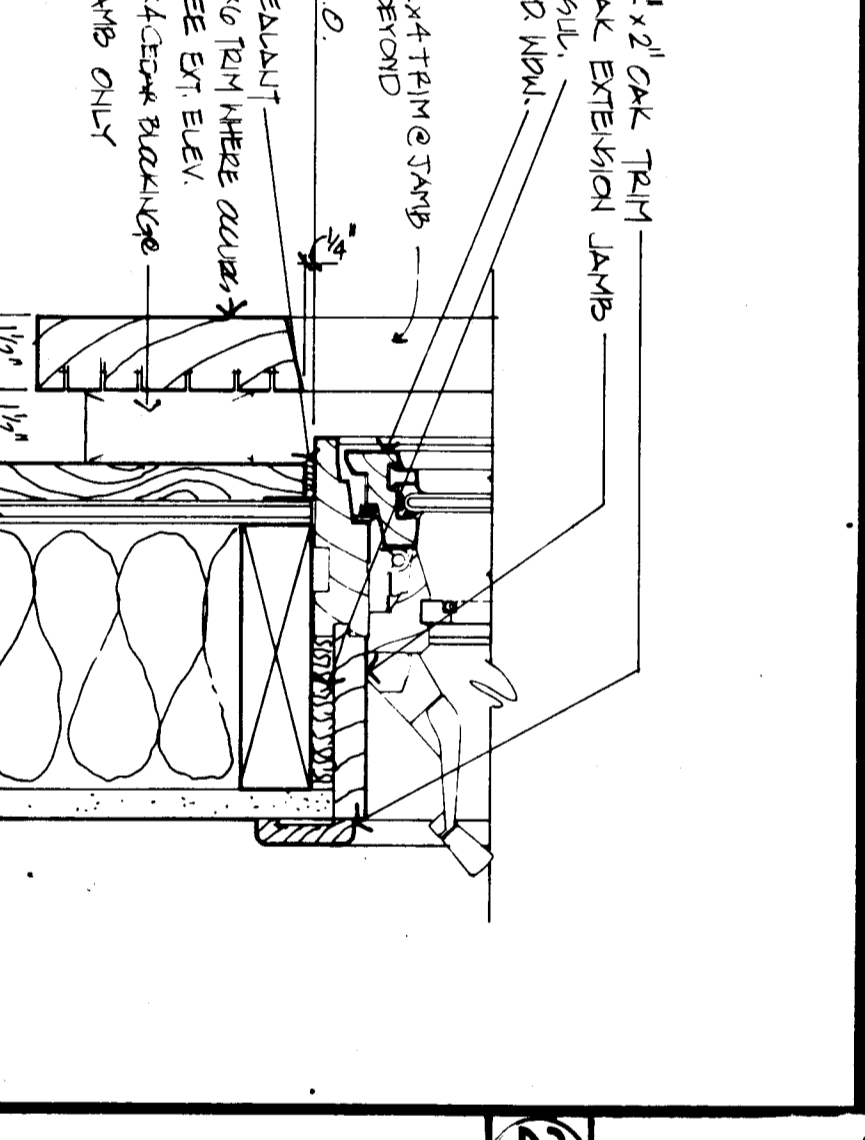
2 Threshold



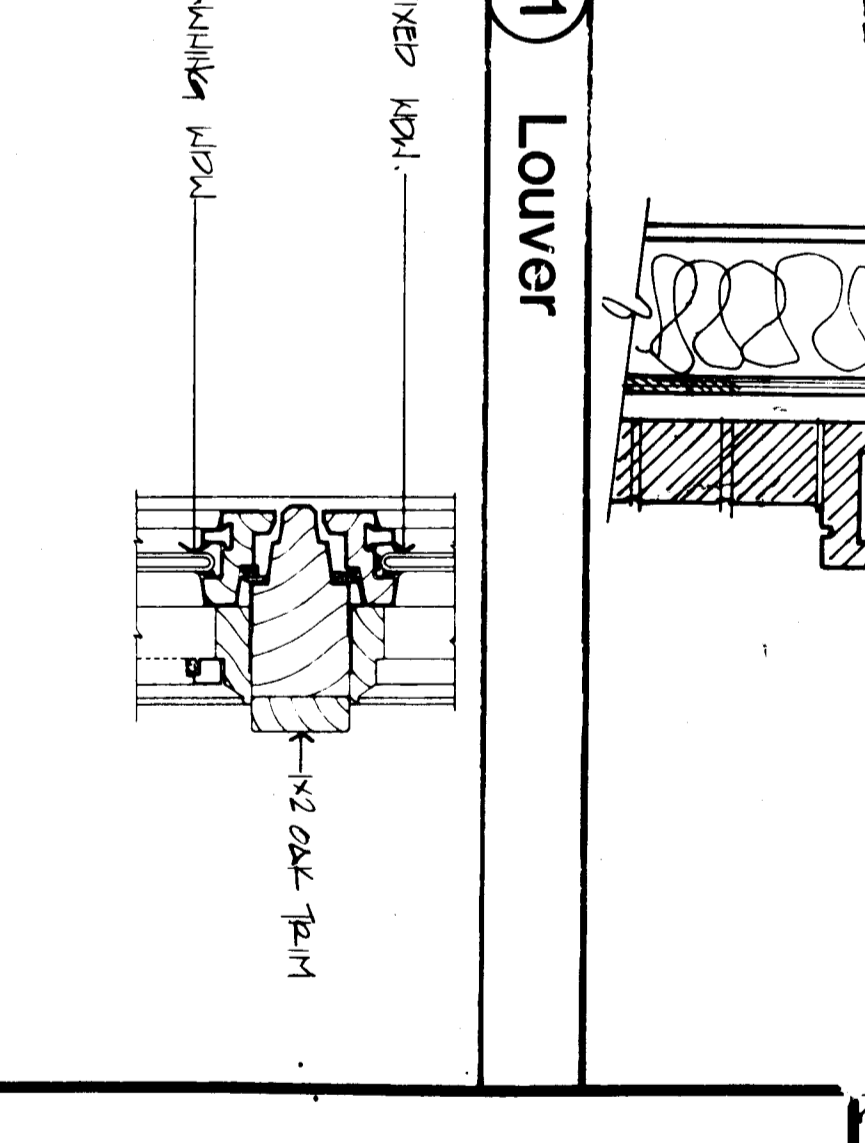
7 Sill



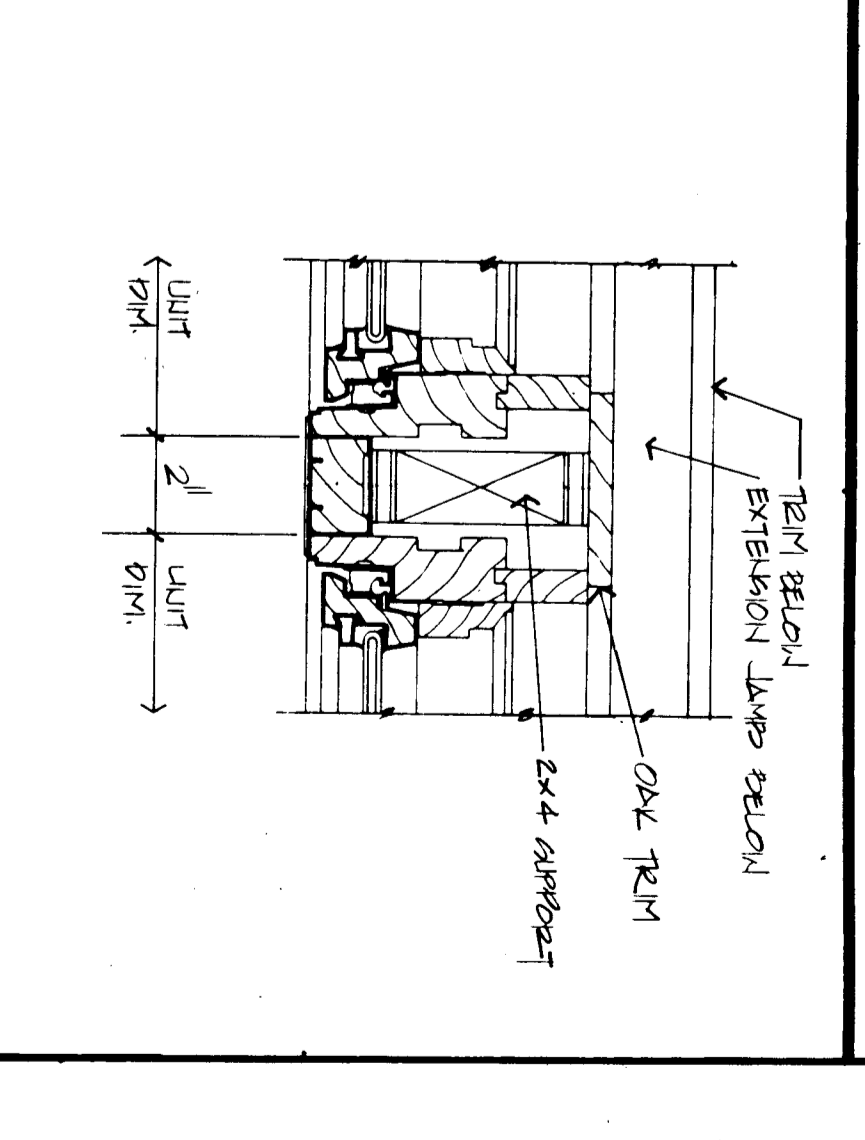
12 Head



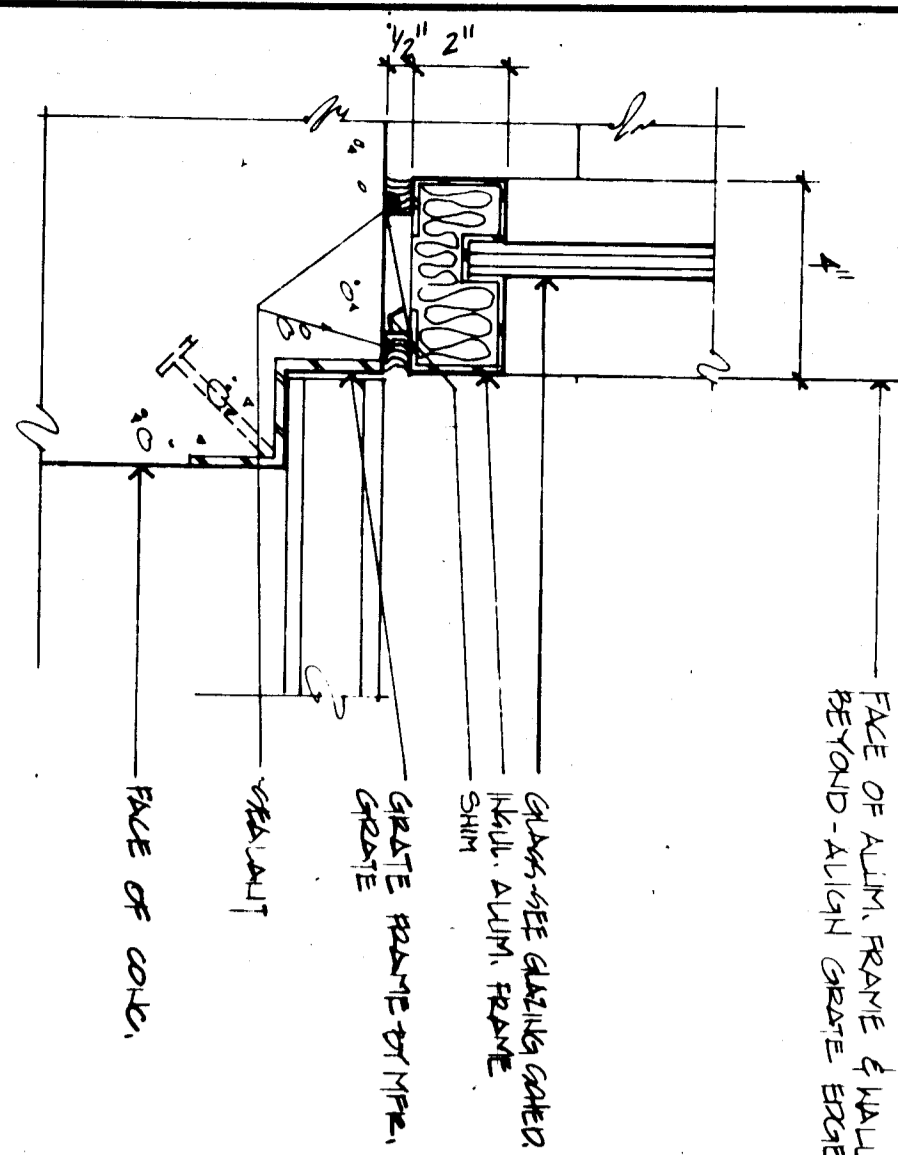
17 Sill



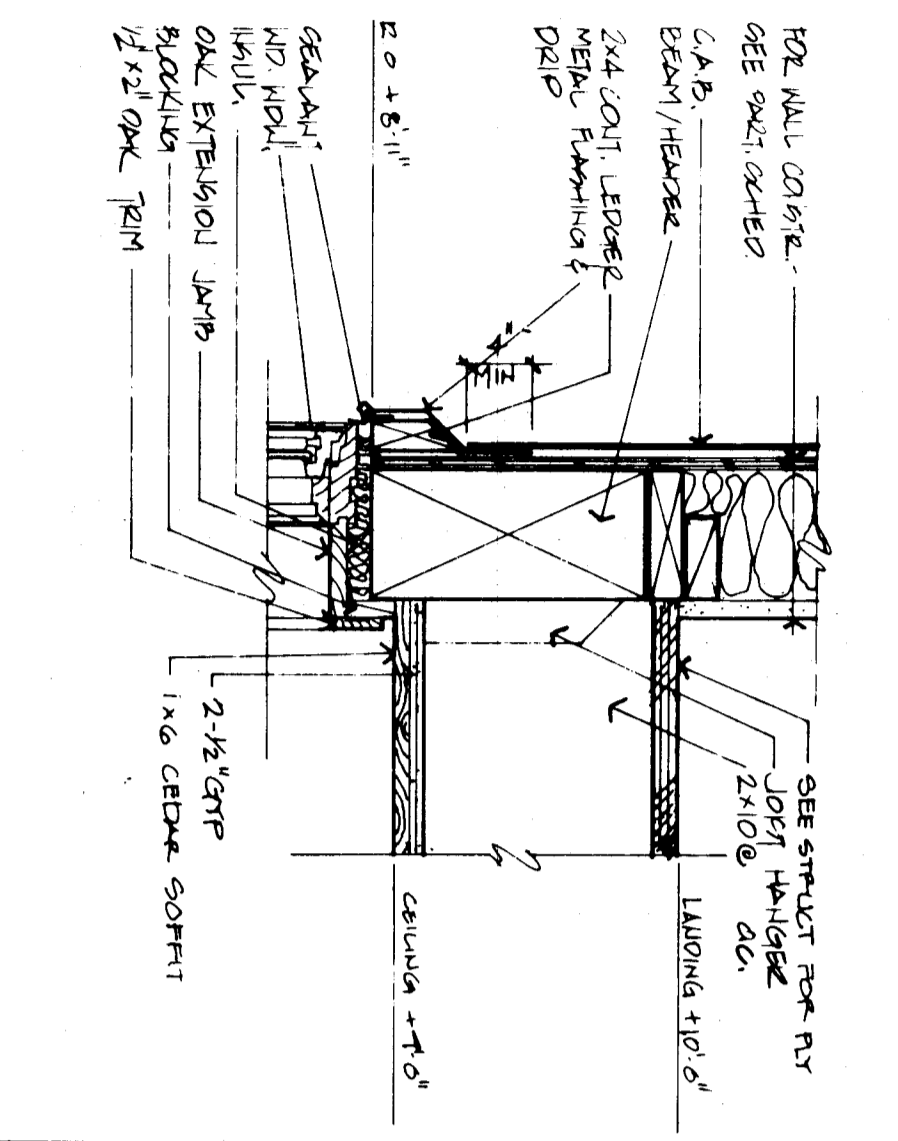
22 Transom



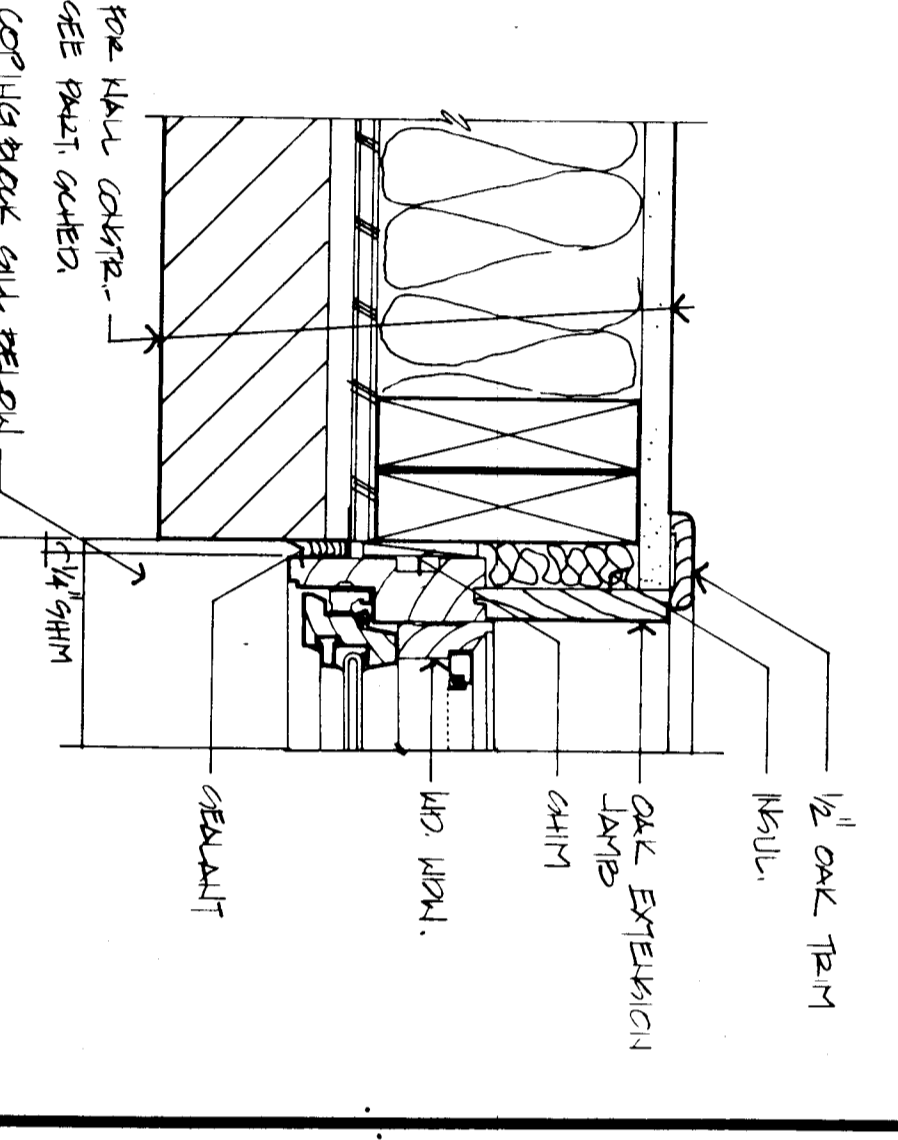
27 Mullion



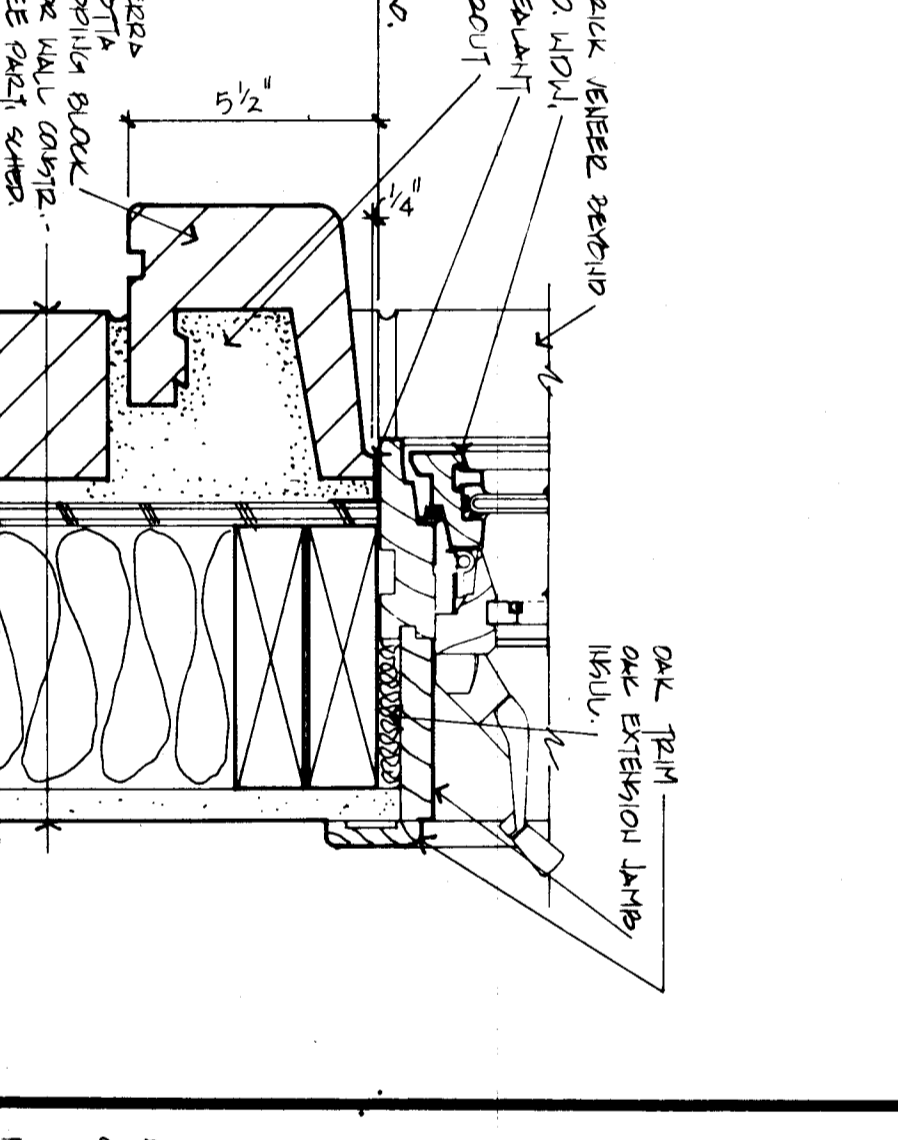
3 Sill



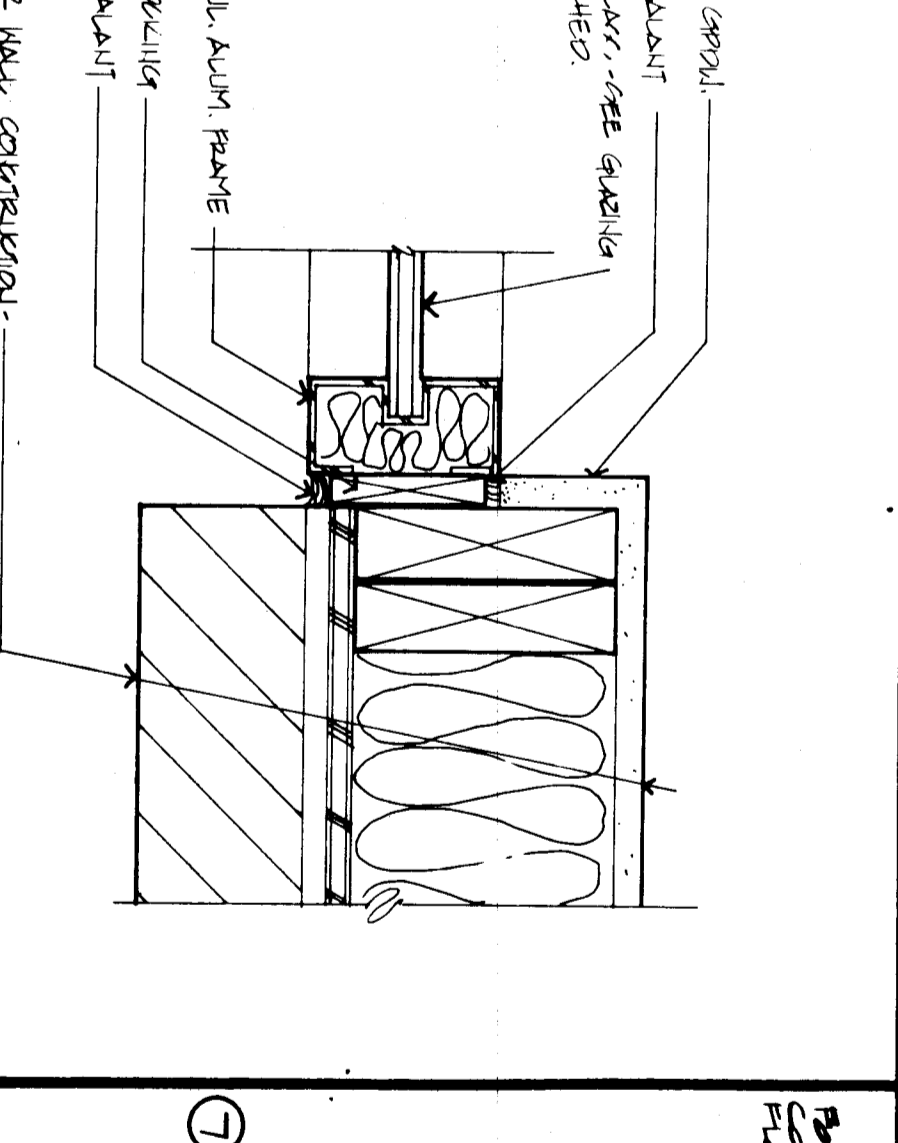
8 Head



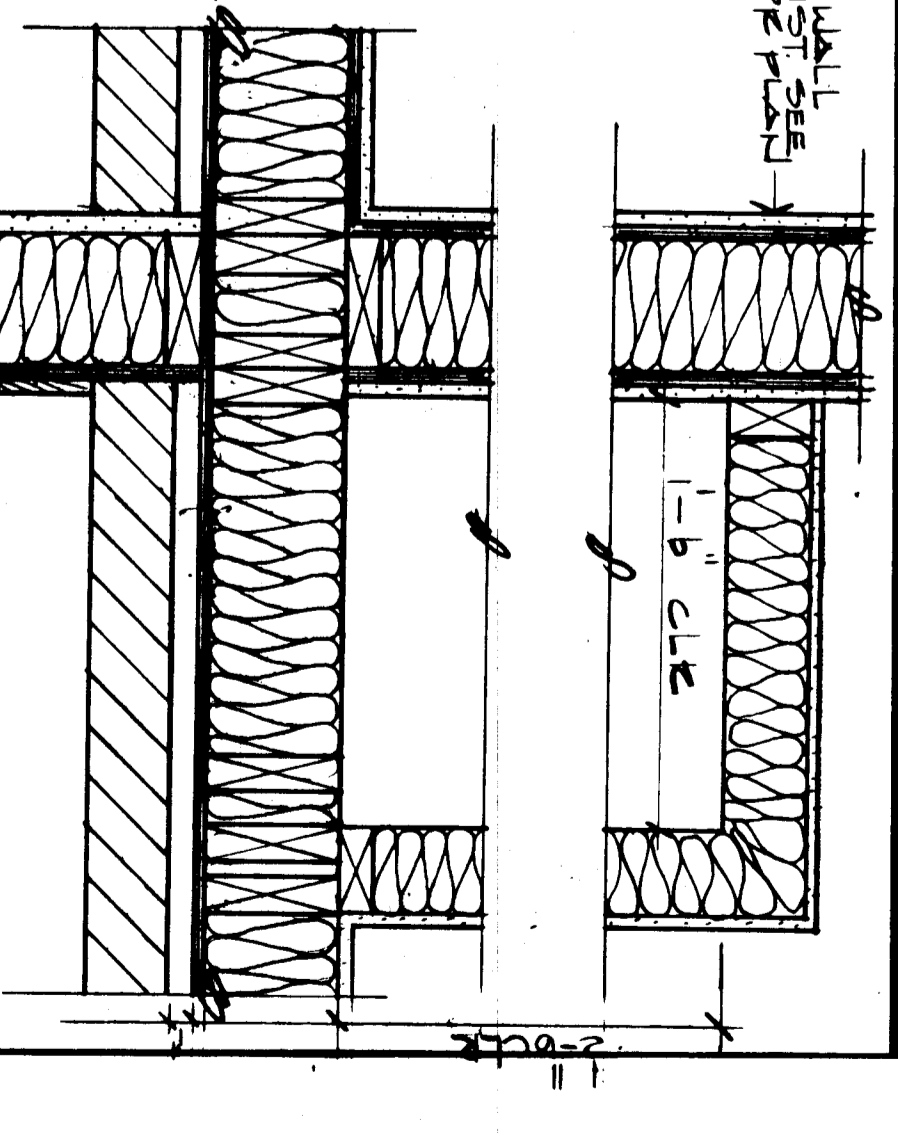
13 Jamb



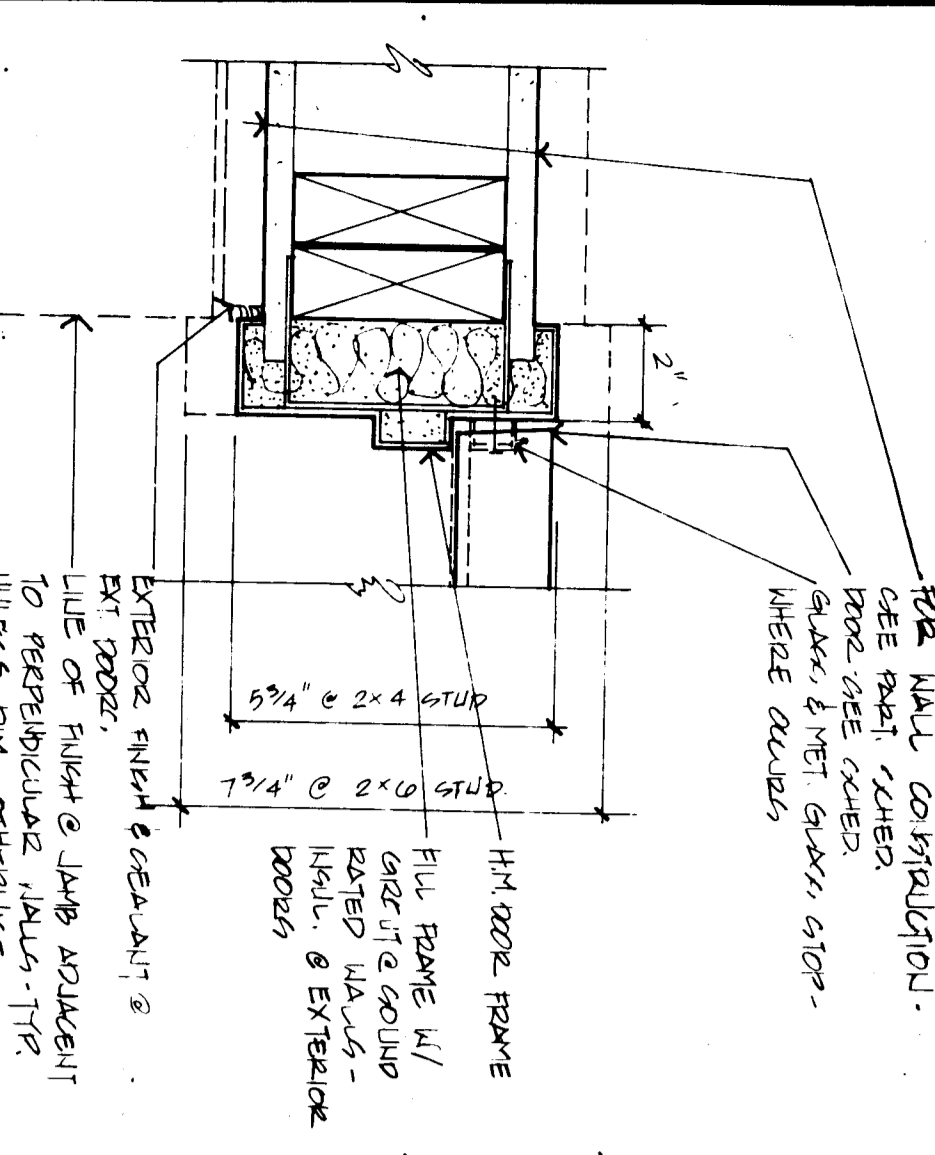
18 Sill



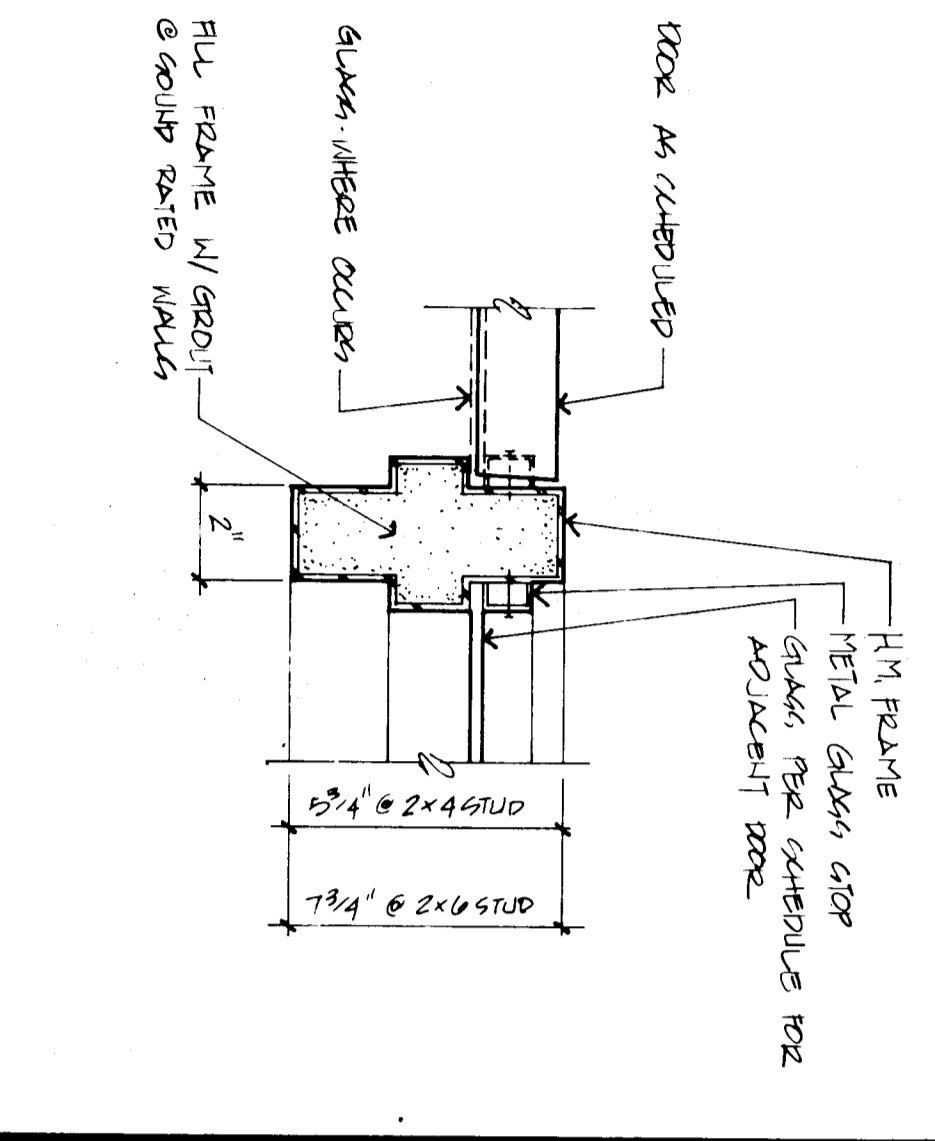
23 Jamb, head sim.



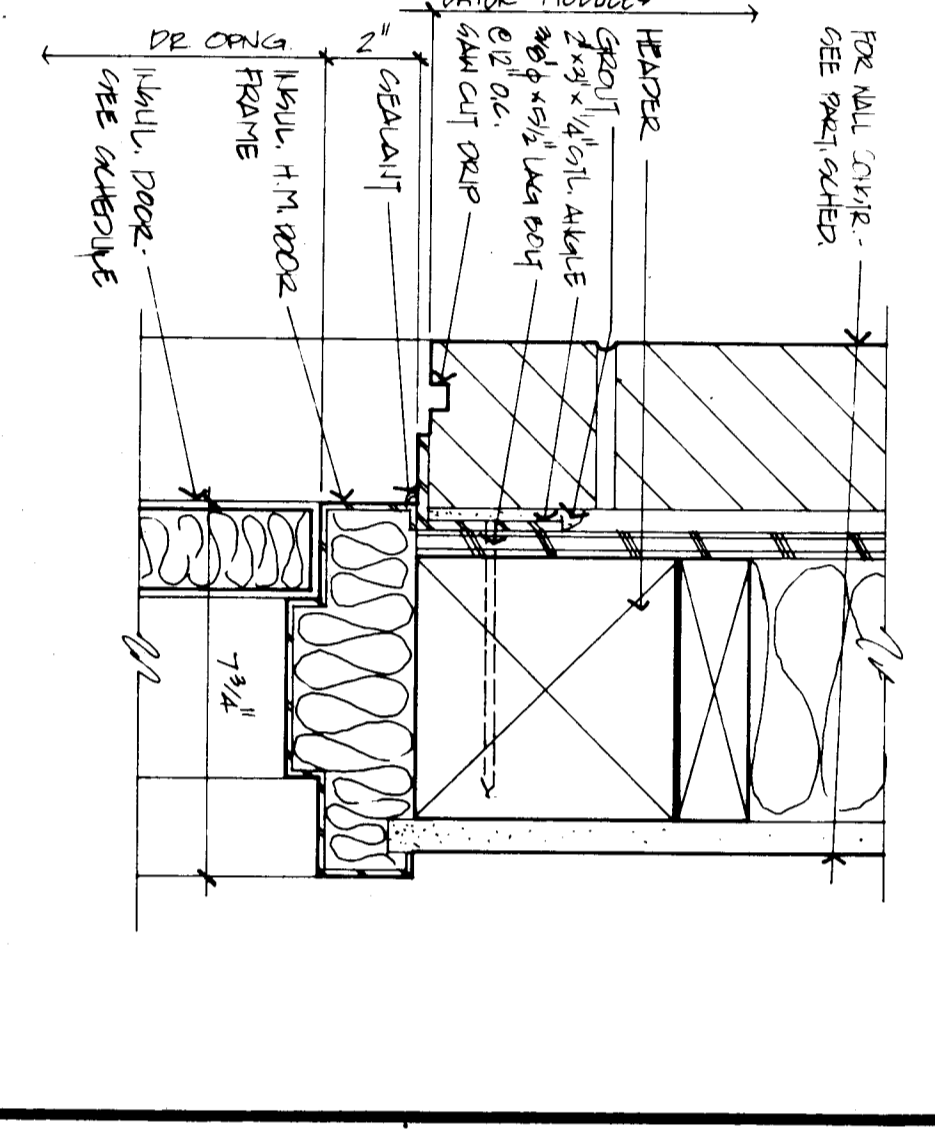
28 Jamb Duct Chase



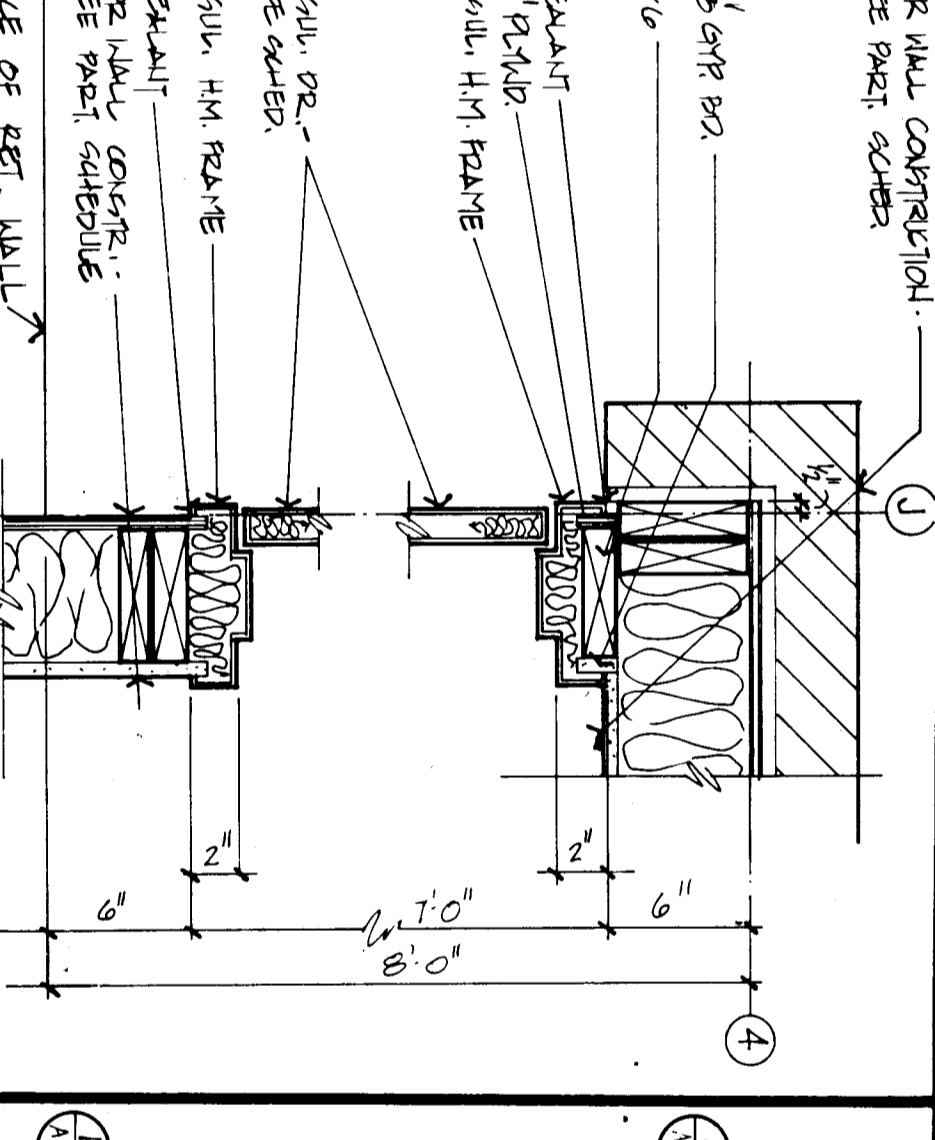
4 Jamb, head sill sim



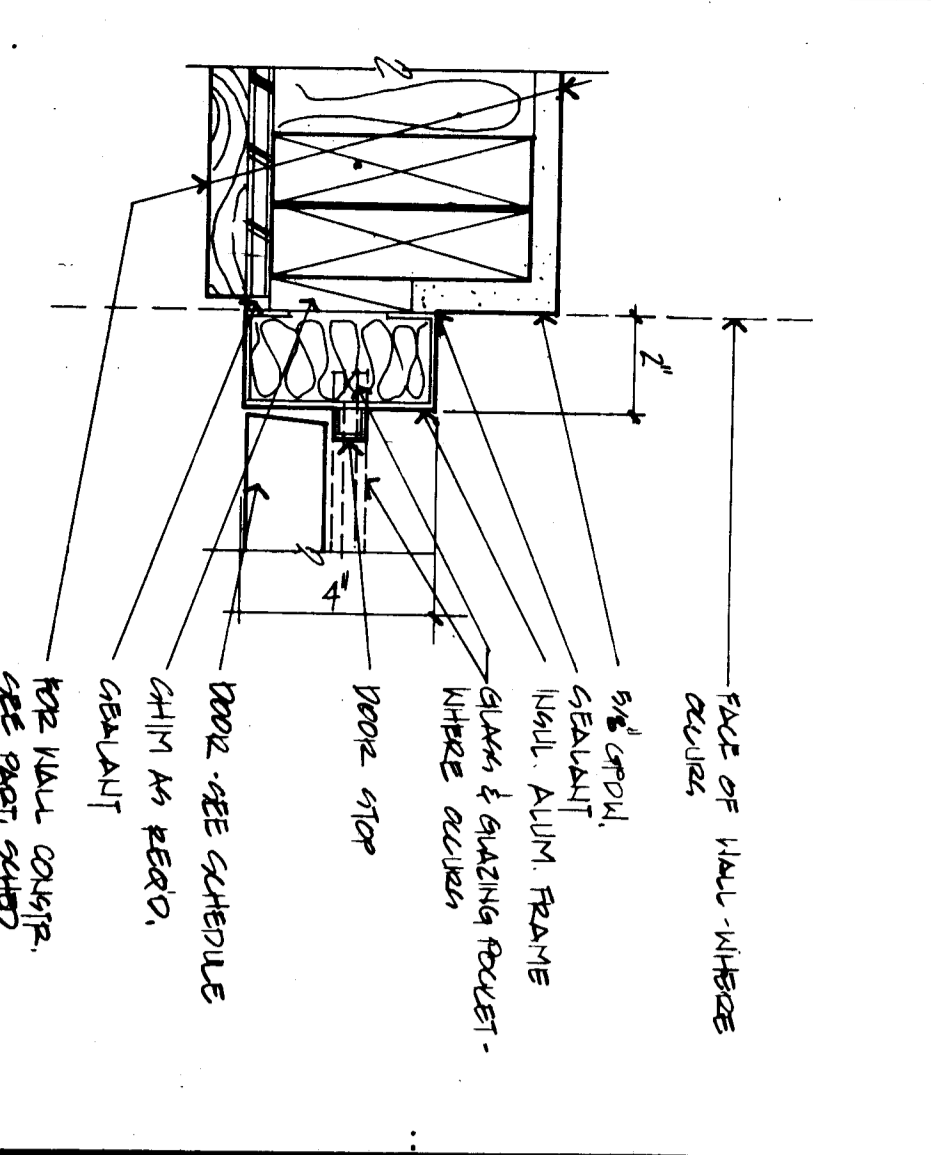
9 Mullion



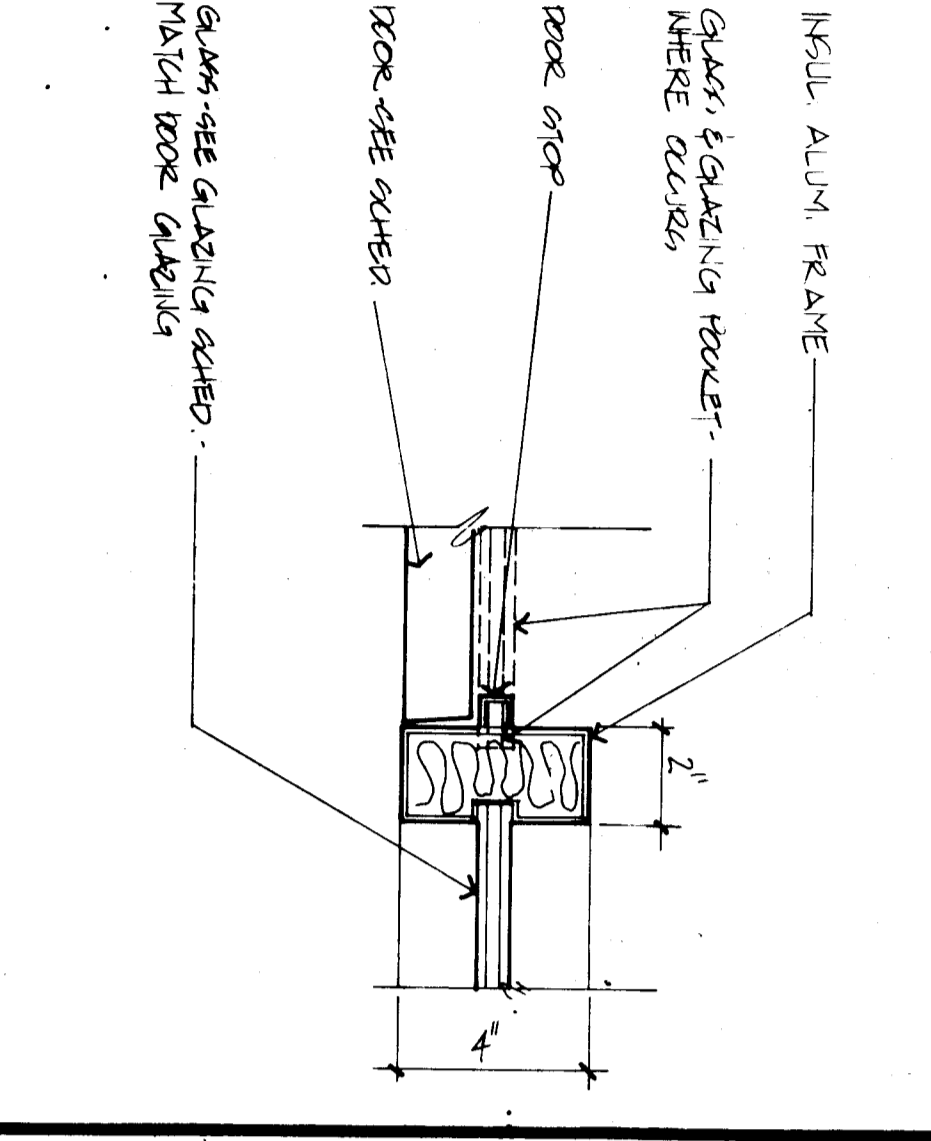
14 Head



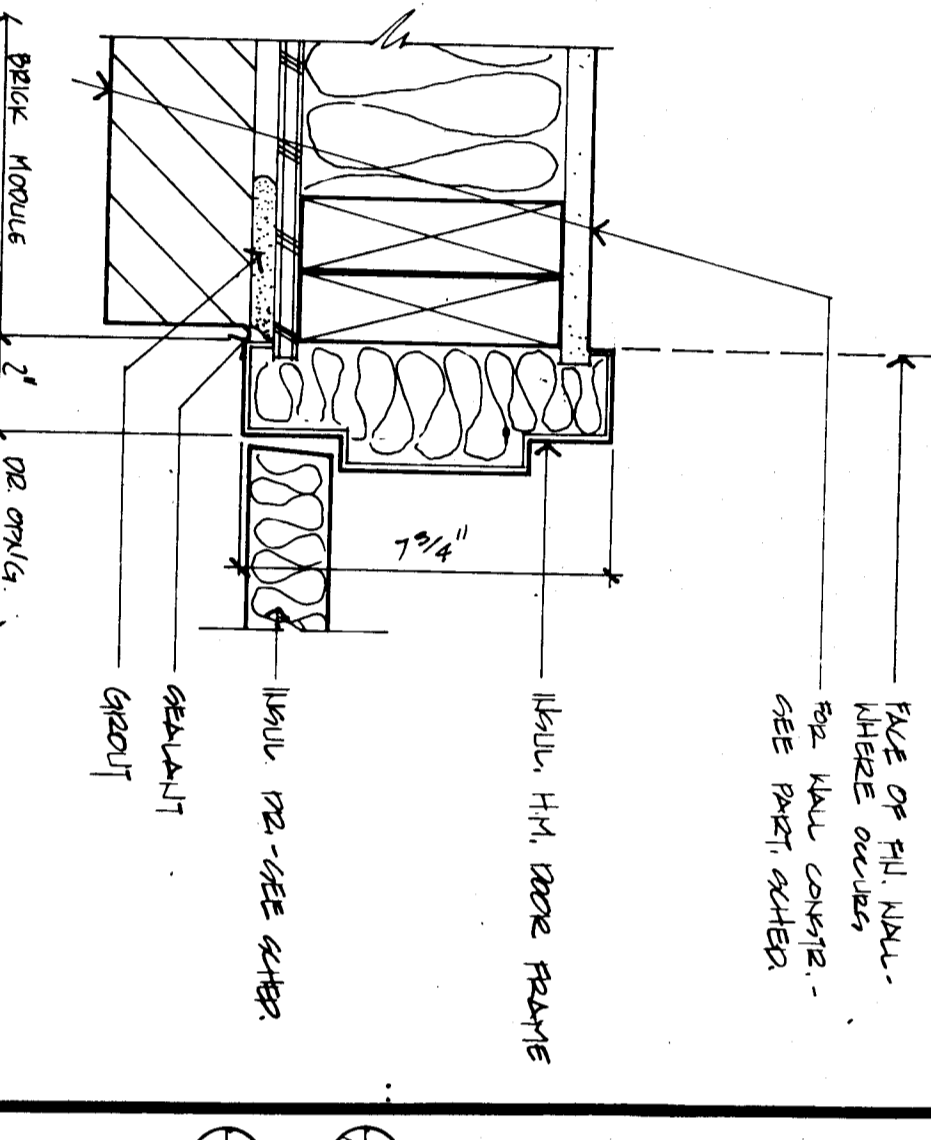
19 Jamb



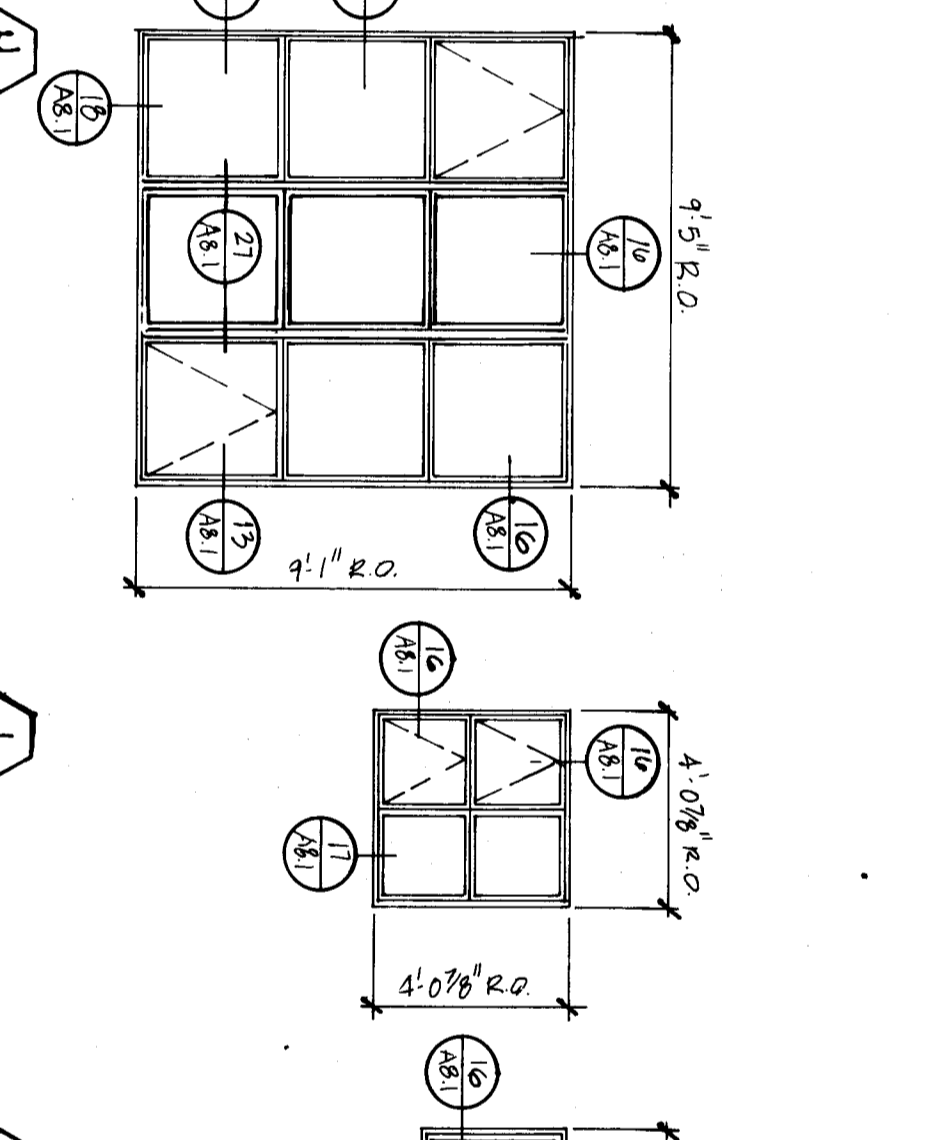
5 Jamb, head sim.



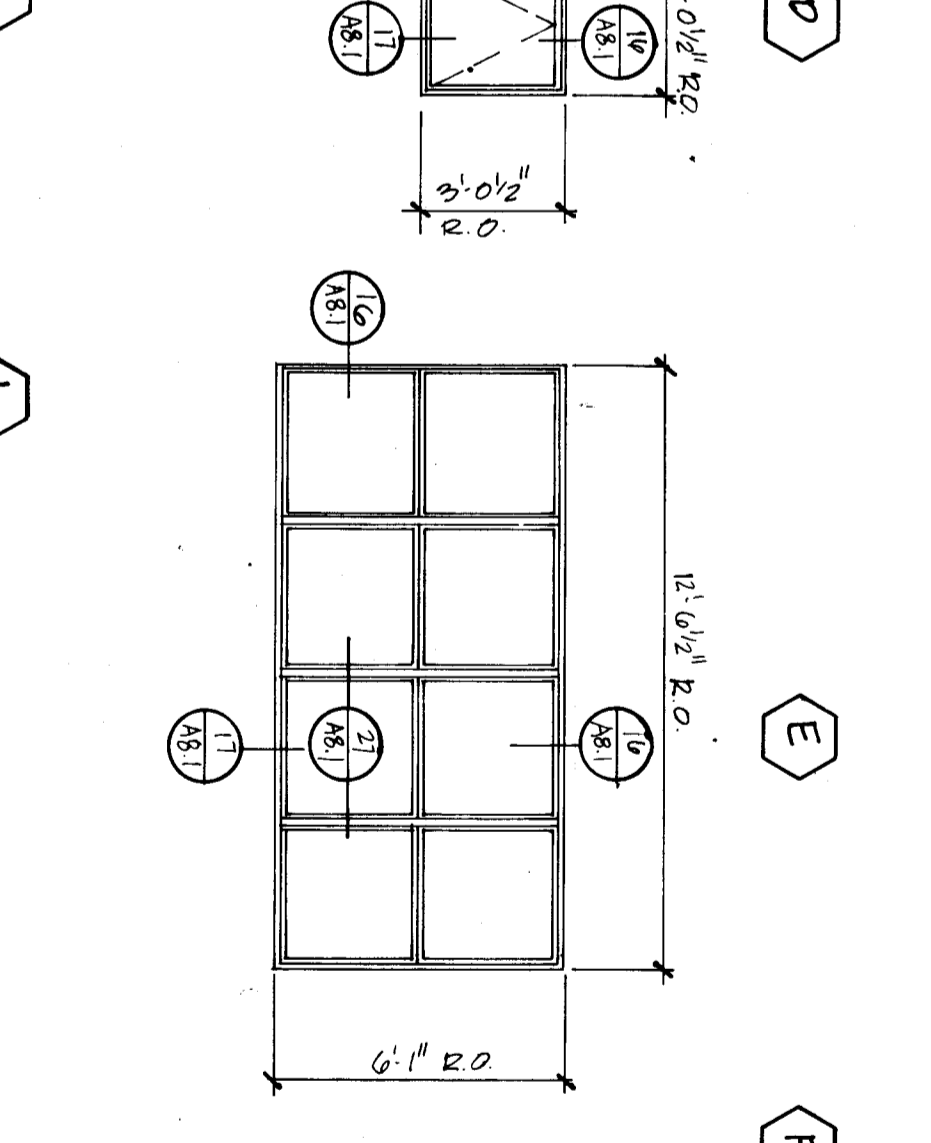
10 Mullion, transom sim.



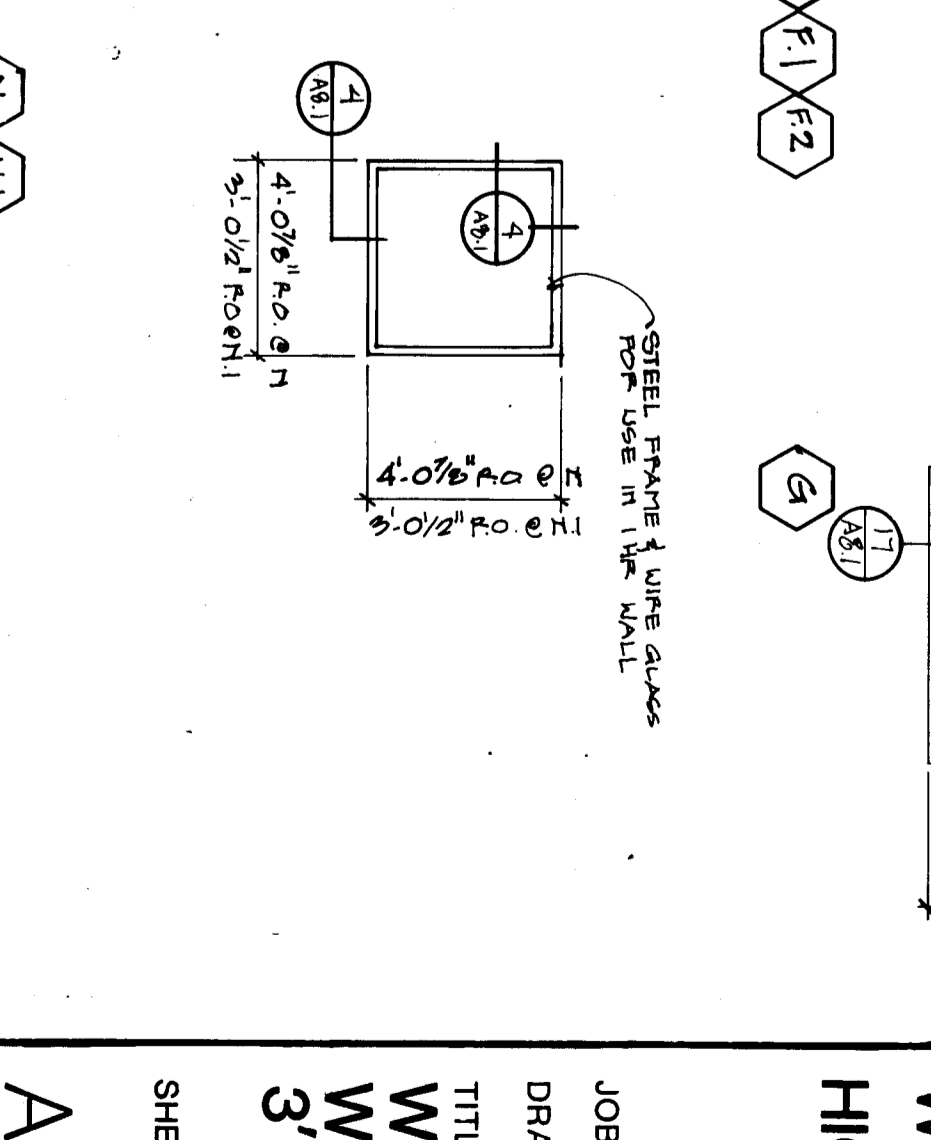
15 Jamb



Window Schedule



16



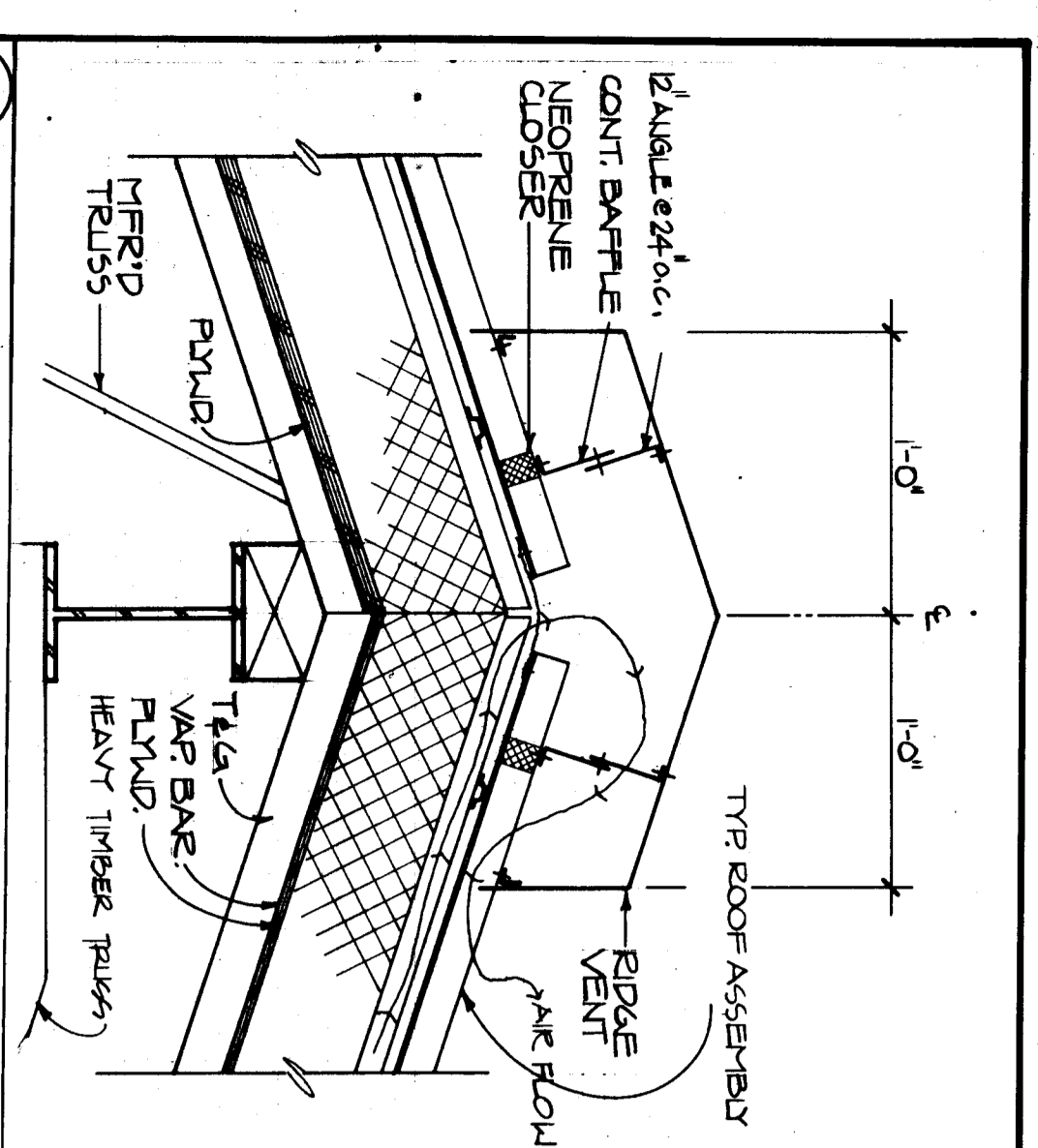
24



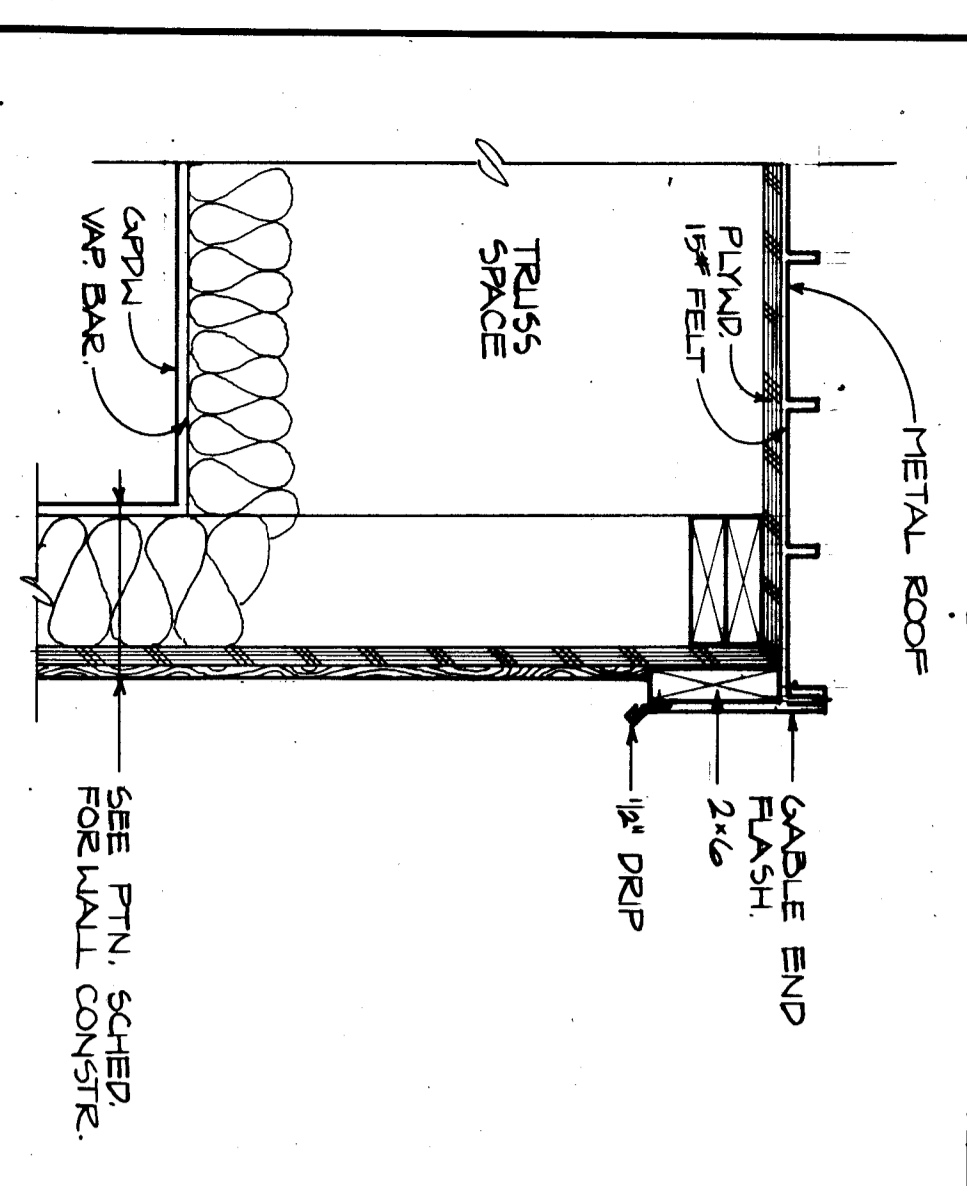
WRANGELL  
HIGH SCHOOL

JOB NO. : 349  
DRAWN BY : J.M.F.  
TITLE :  
Window Schedule &  
Window Details  
3'-1'-0" U.O.N.  
SHEET NO. :  
A8.1  
DATE : June 15, 1984

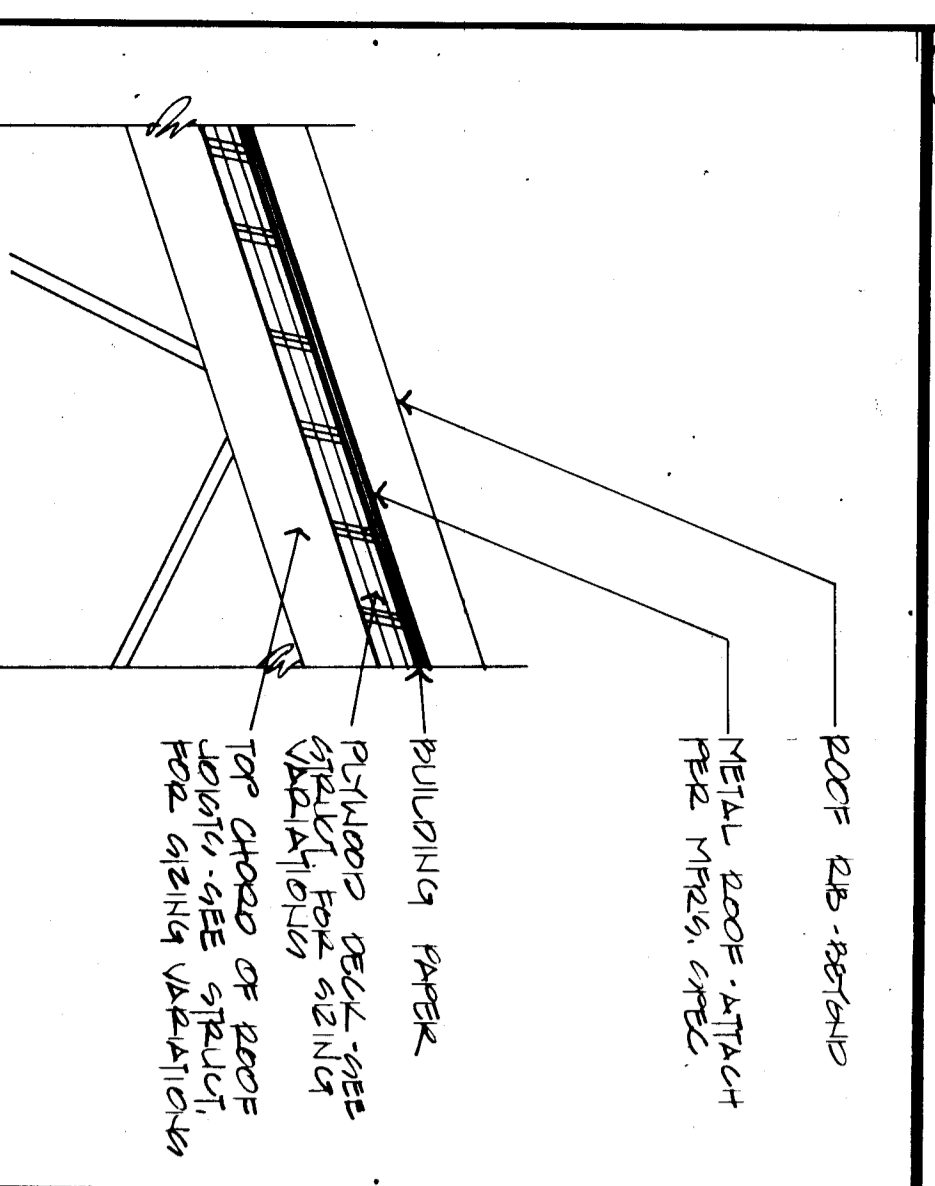
ackley  
jensen  
architects inc.  
P.O. Box 310, Lunenburg, Alaska 99802



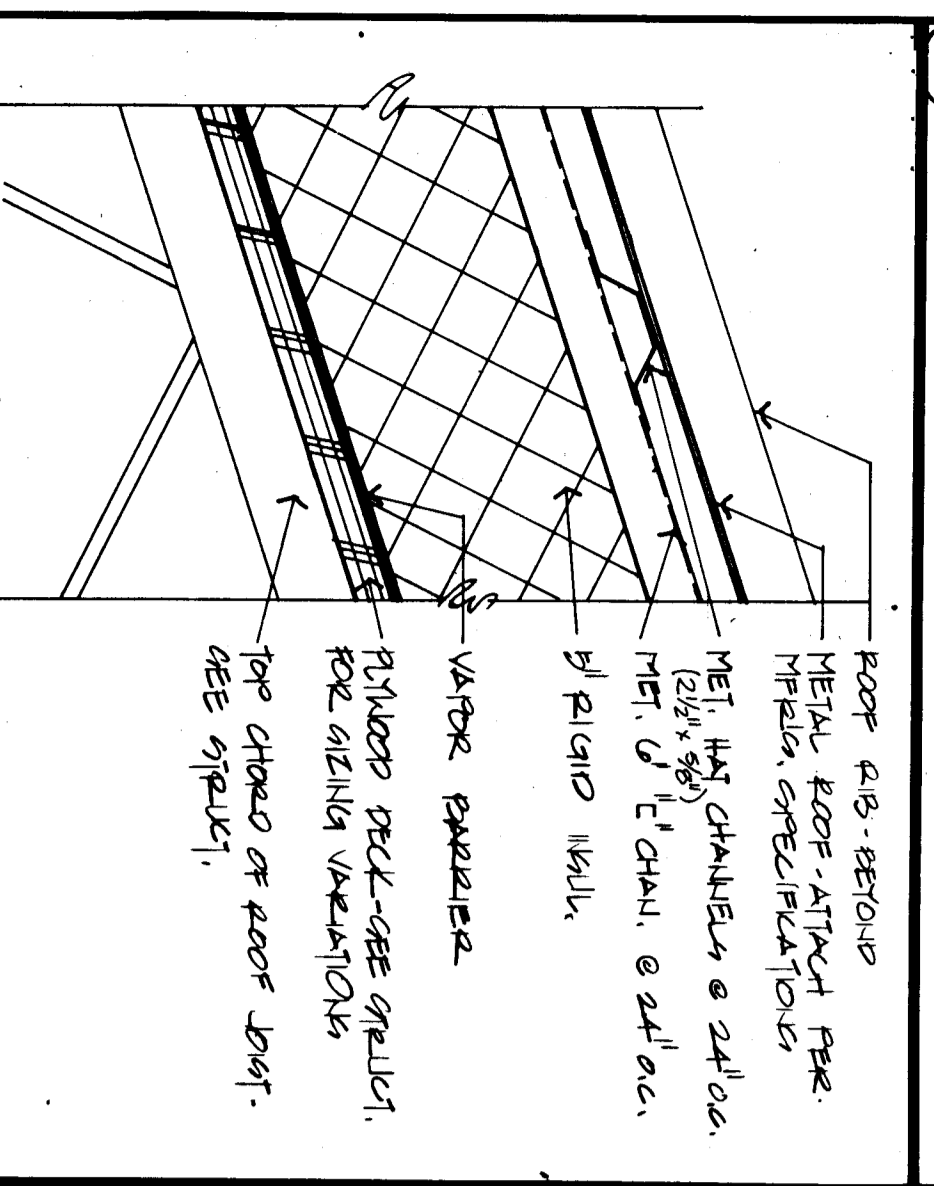
1 Ridge Vent at Gable End 11/2" x 1'-0"



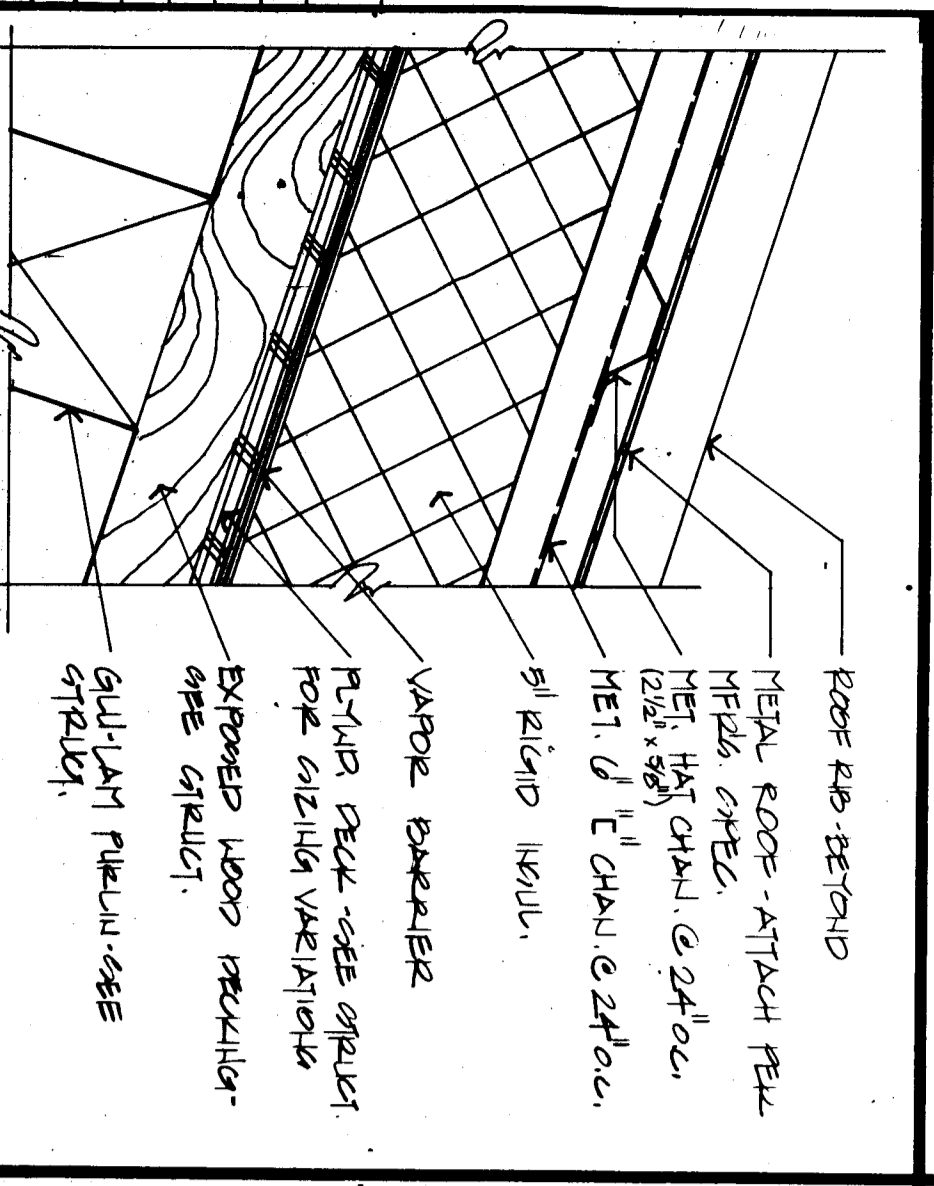
2 Roof Flash at Gable End 11/2" x 1'-0"



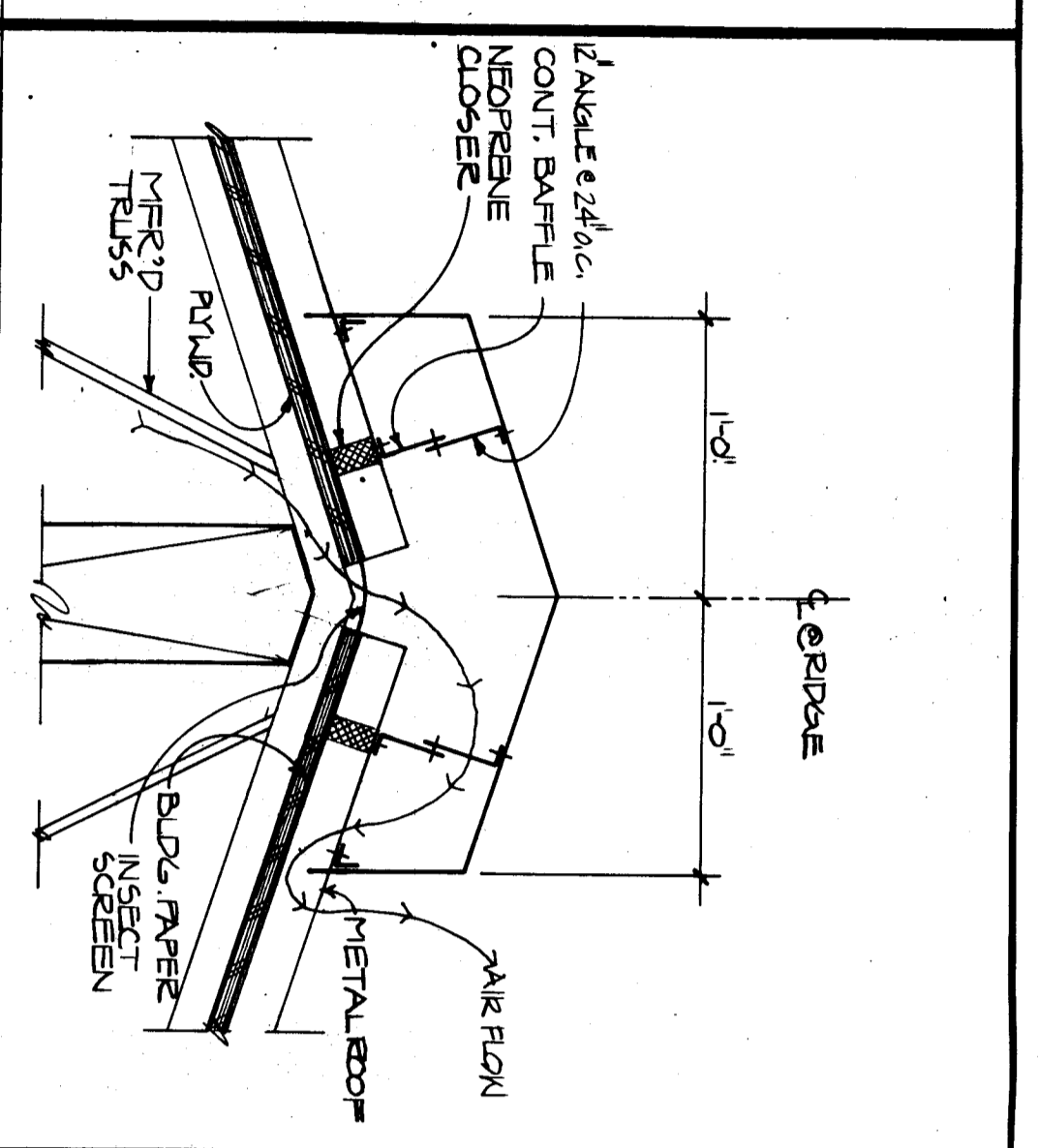
3 Typical Roof Assembly



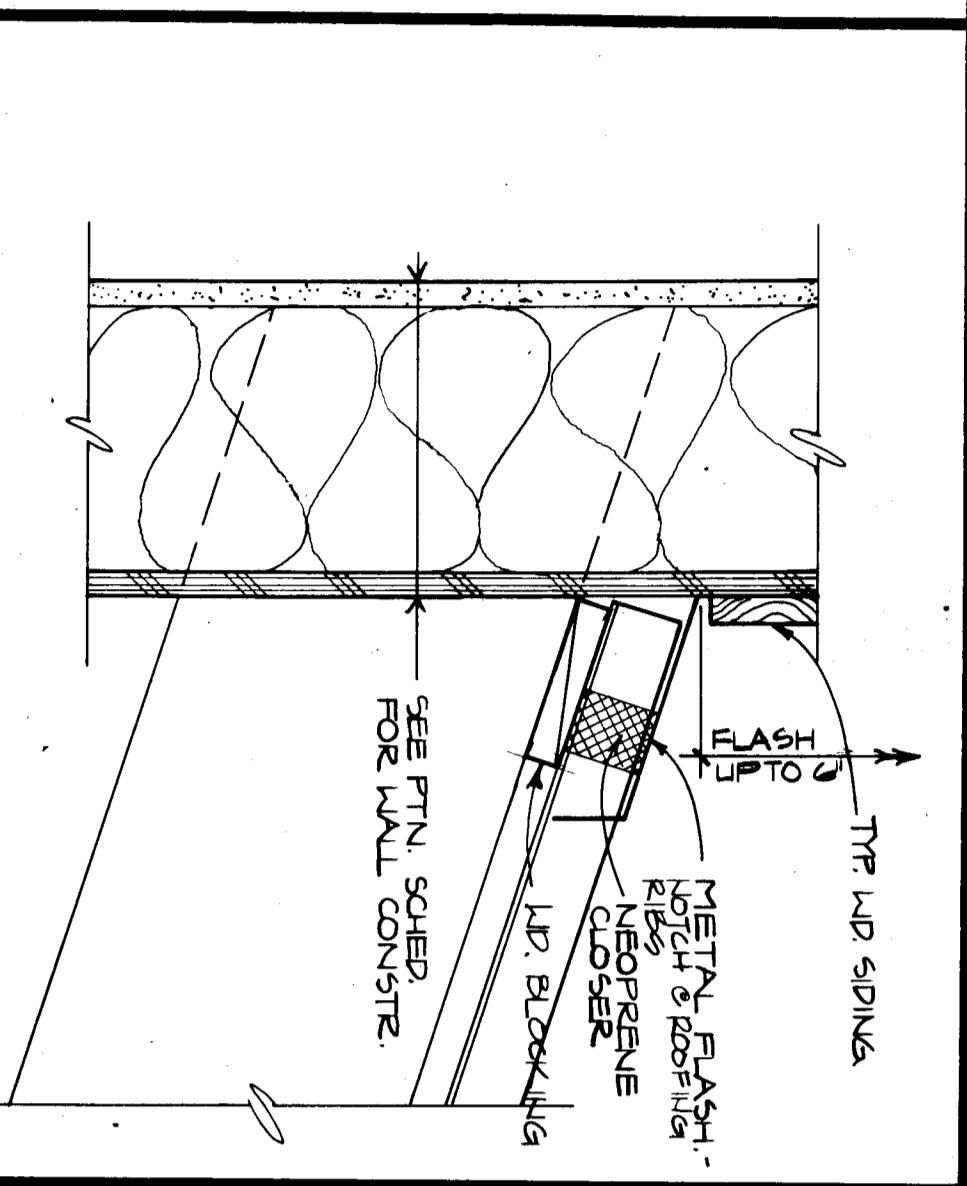
4 Typical Roof Assembly



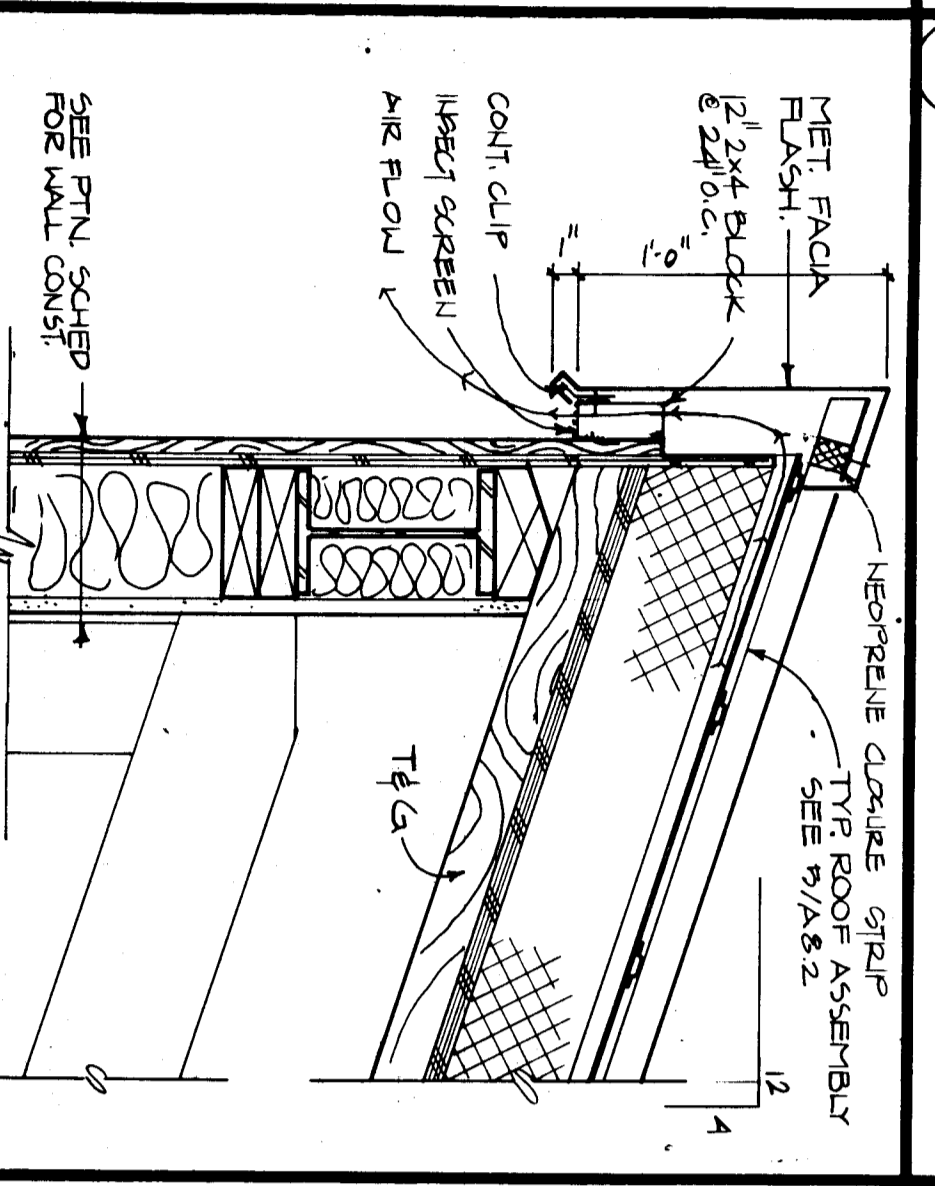
5 Typical Roof Assembly



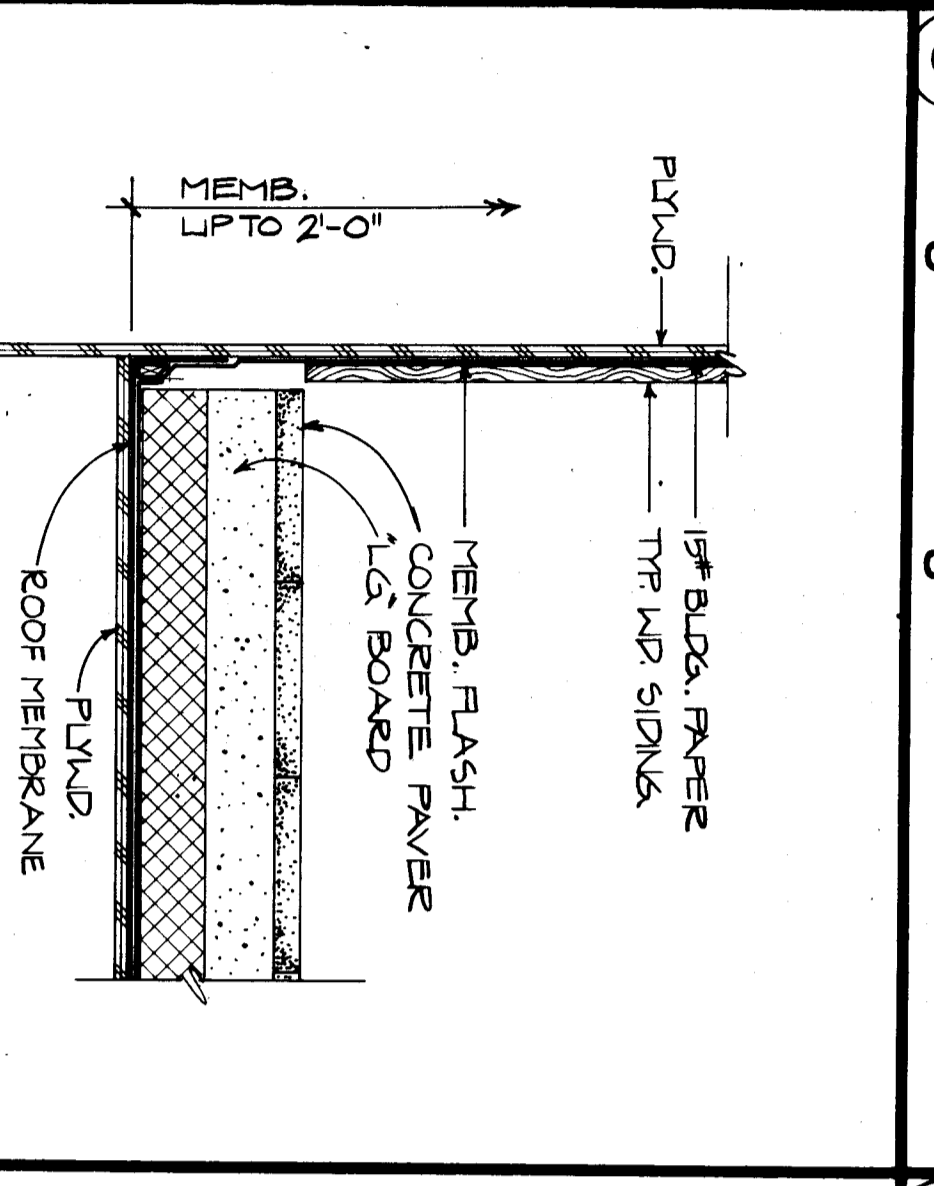
6 Ridge Vent at Mfr'd Truss 11/2" x 1'-0"



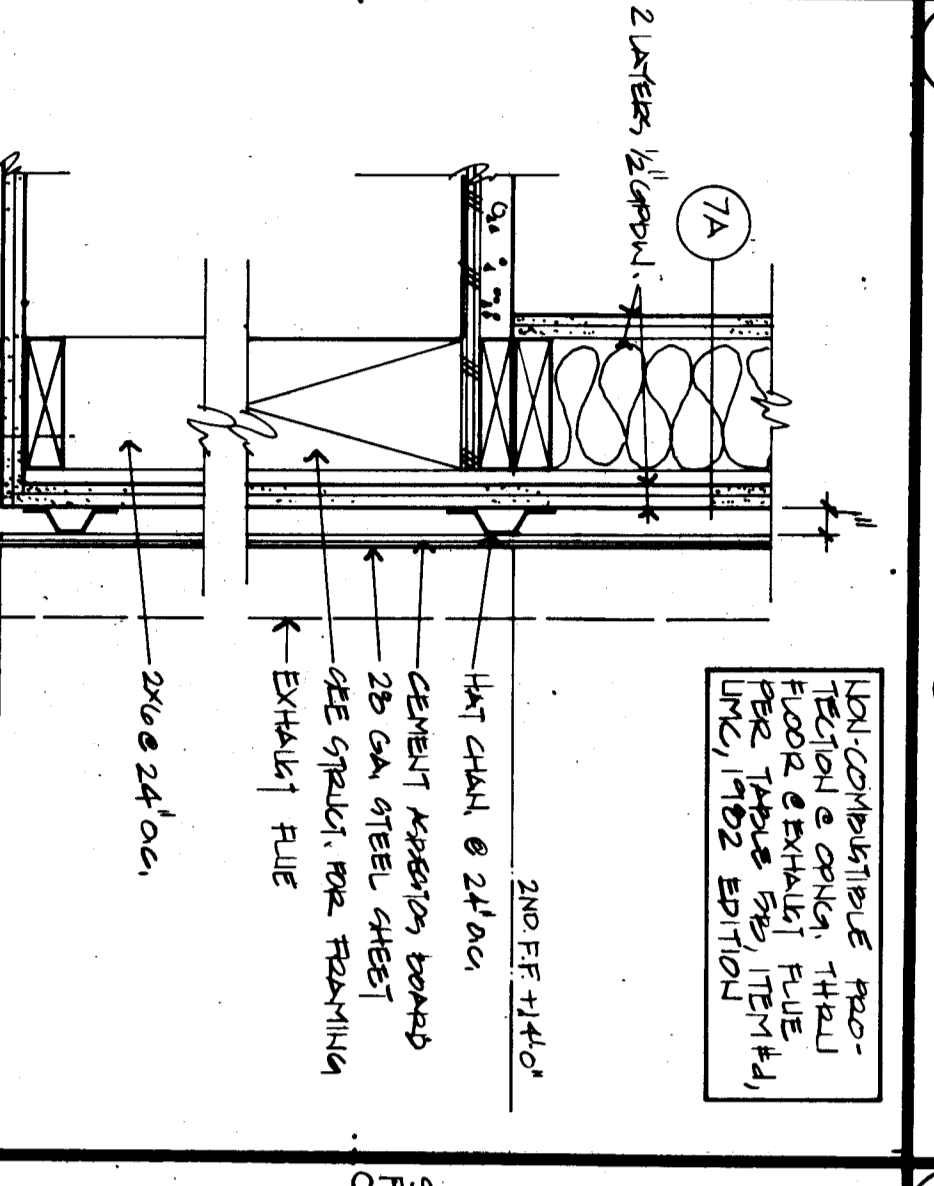
7 Flash at Shed Roof



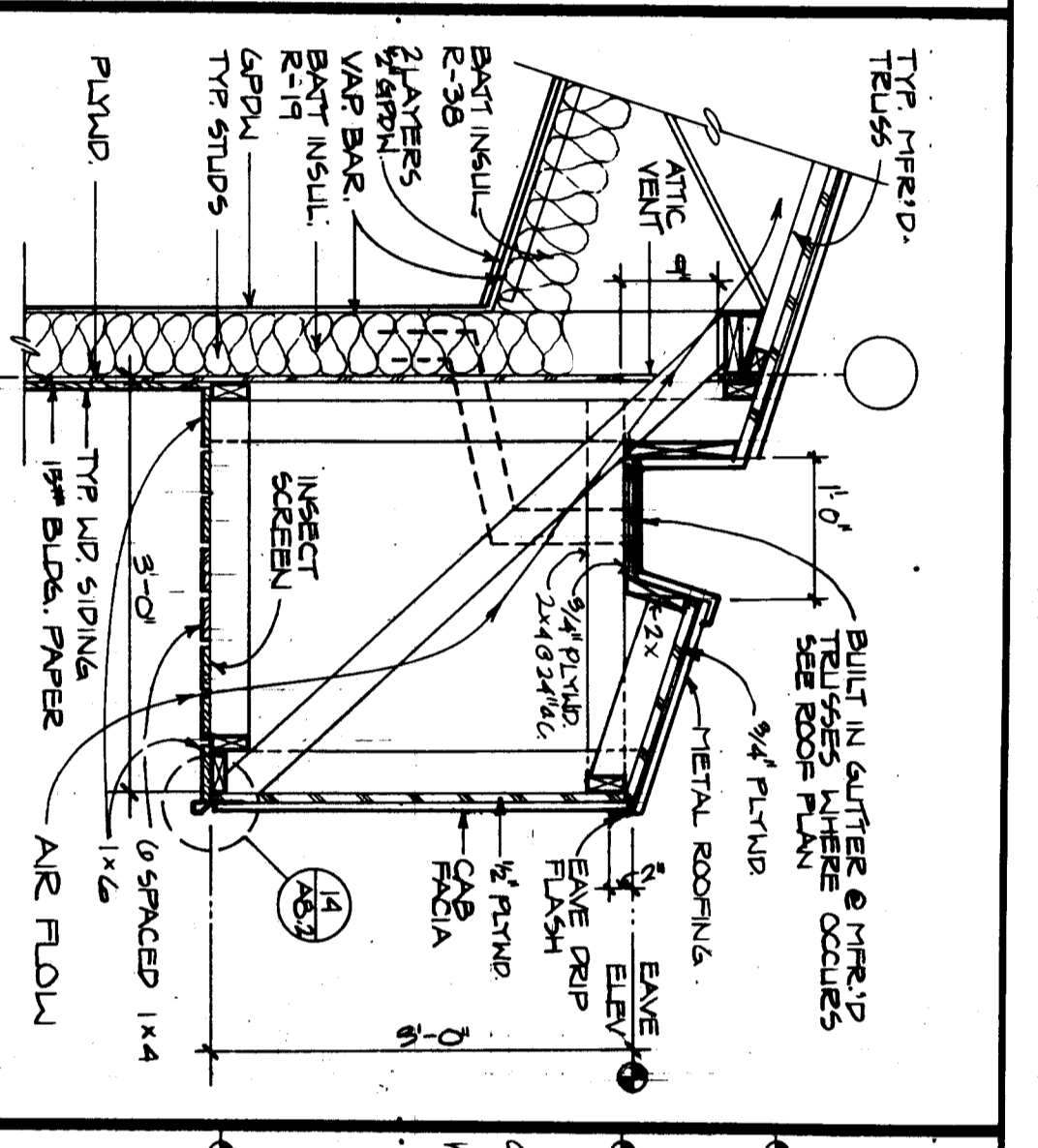
8 Ridge Flashing 11/2" x 1'-0"



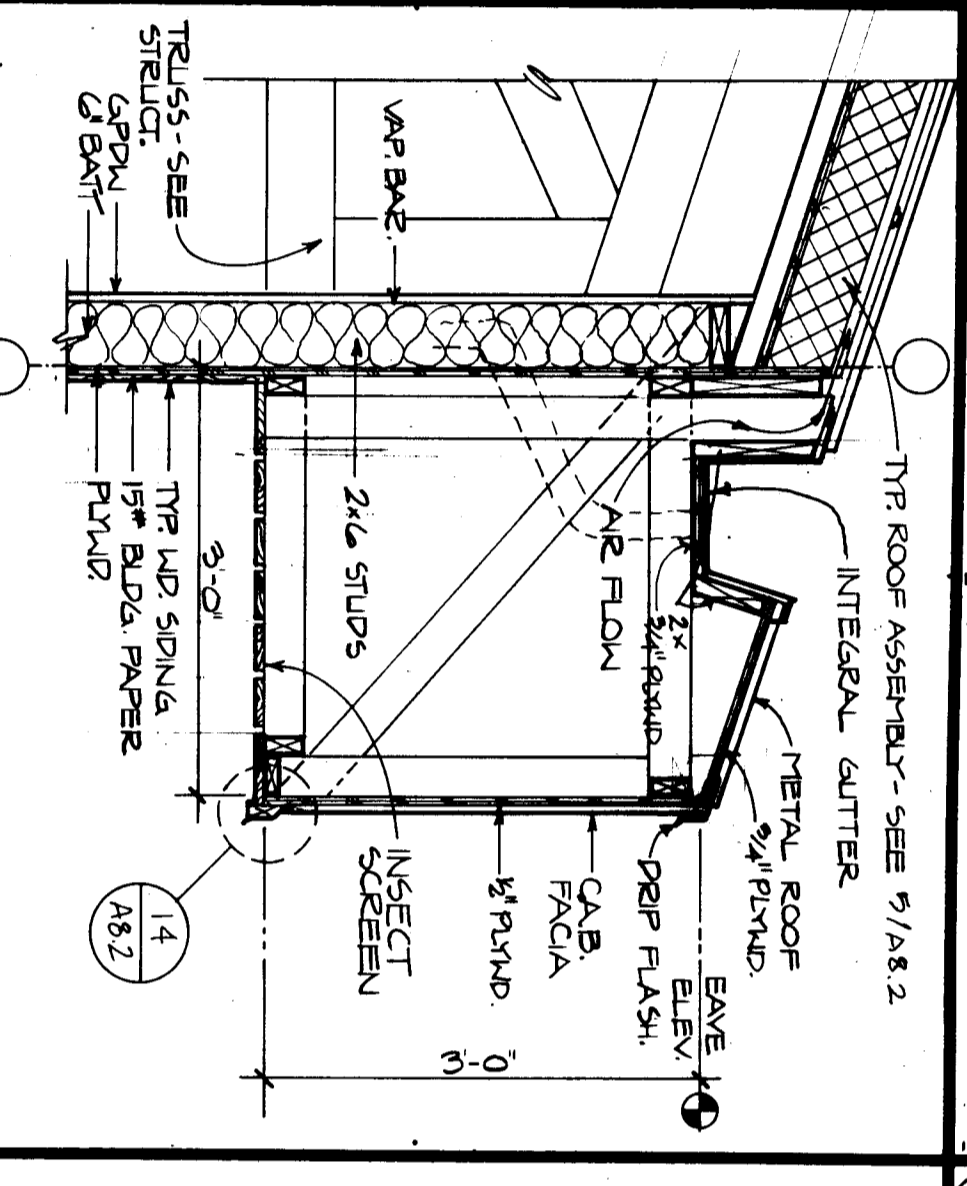
9 Membrane Flashing 11/2" x 1'-0"



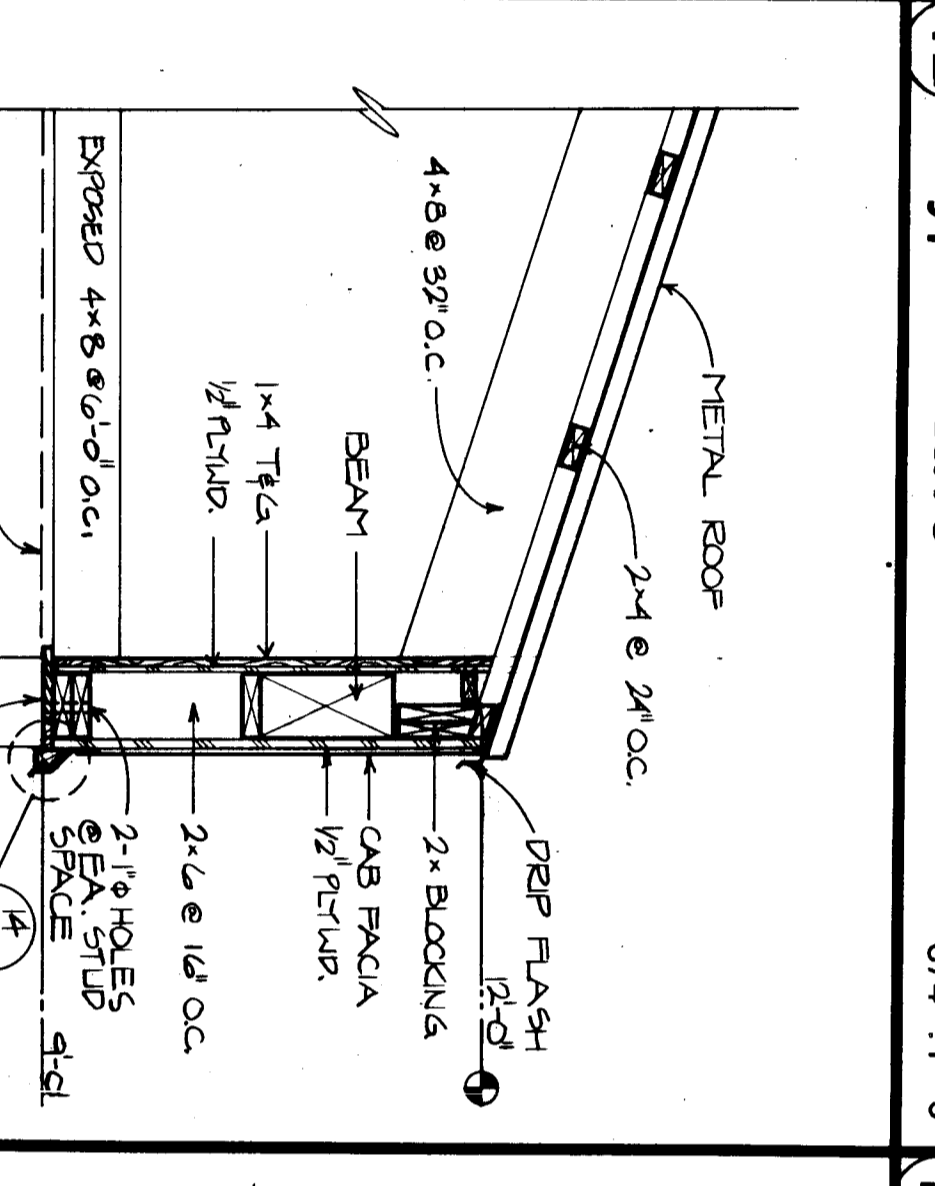
10 Mech. Rm. Opening 11/2" x 1'-0"



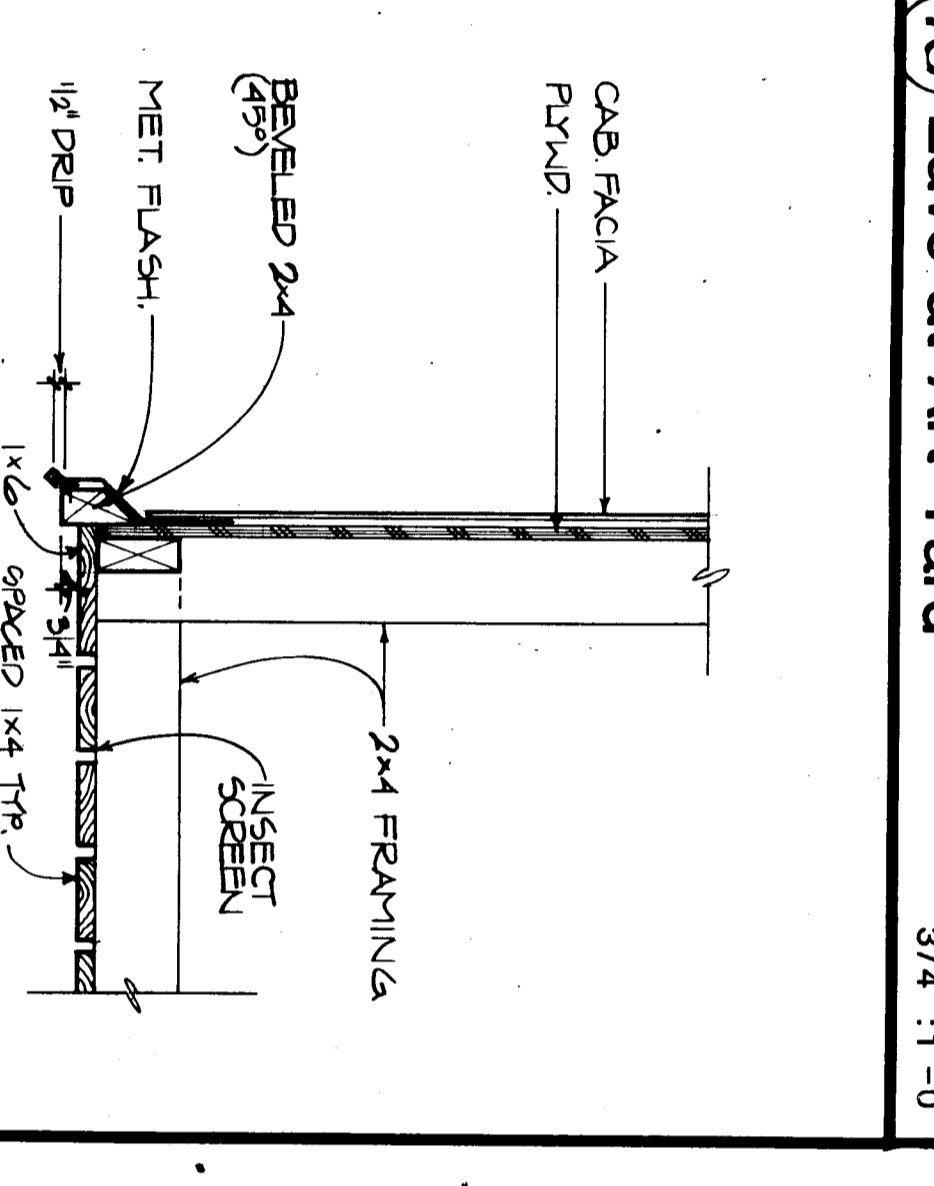
11 Typical Eave 3/4" x 1'-0"



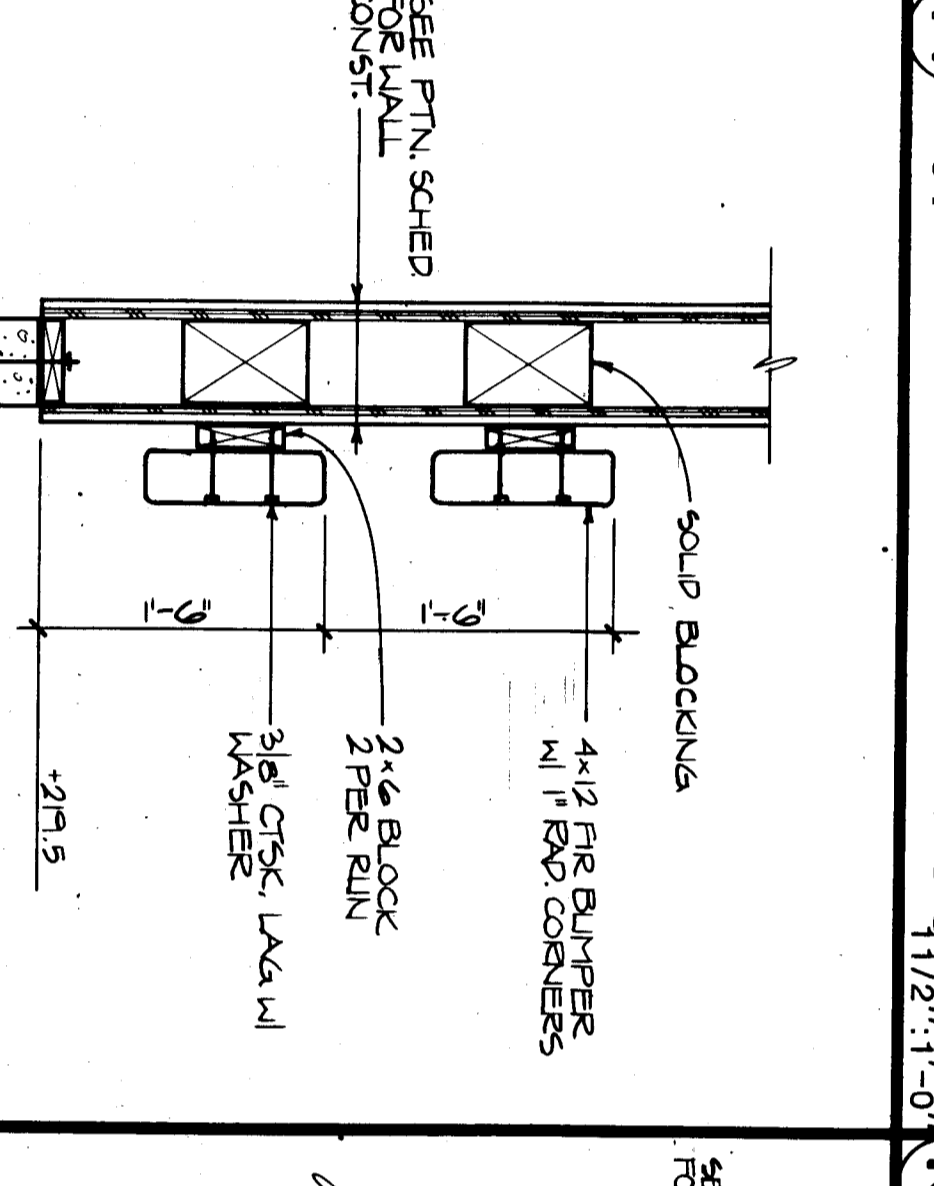
12 Typical Eave 3/4" x 1'-0"



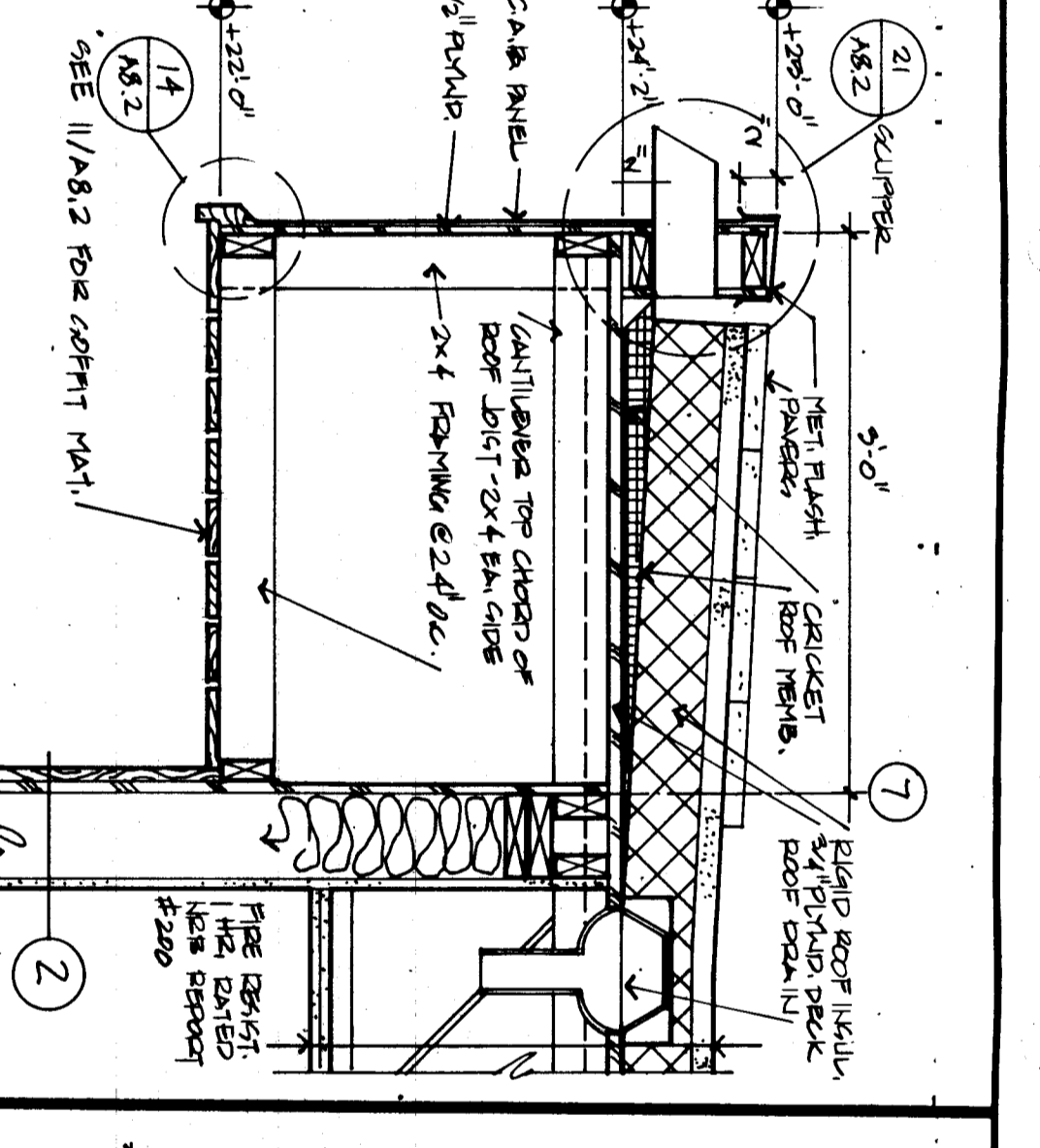
13 Eave at Art Yard 3/4" x 1'-0"



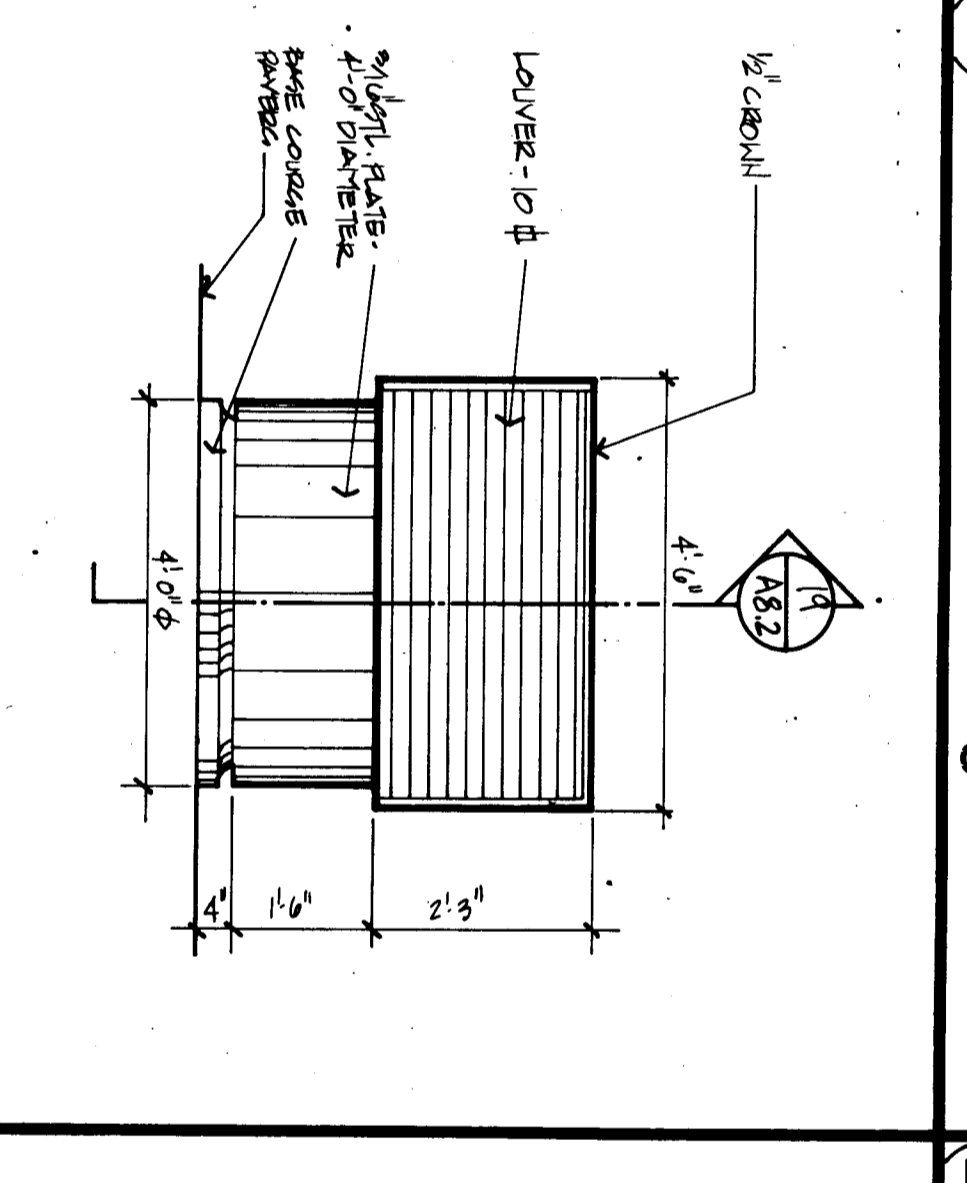
14 Typ. Flash at C.A.B. Panels 11/2" x 1'-0"



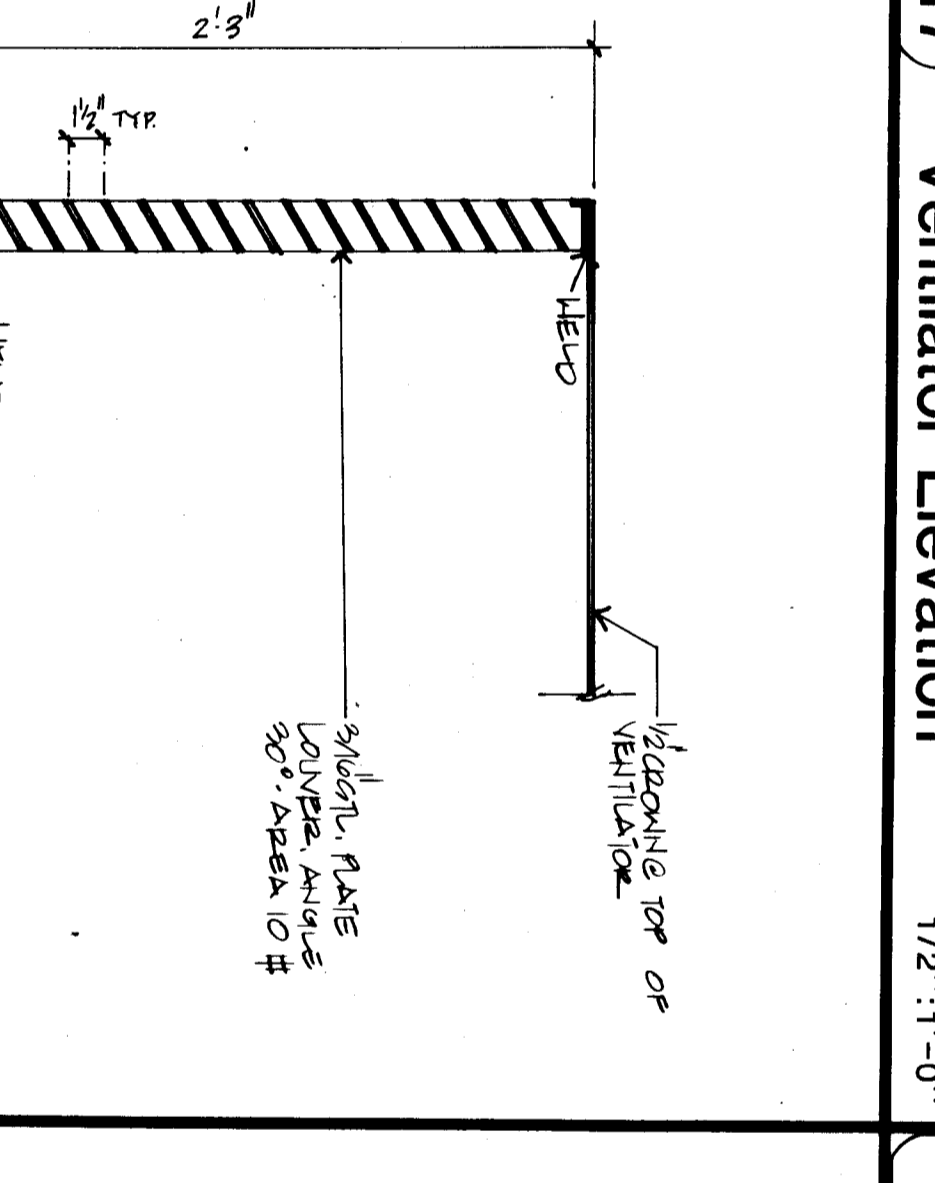
15 Plaster at Art Yard 1" x 1'-0"



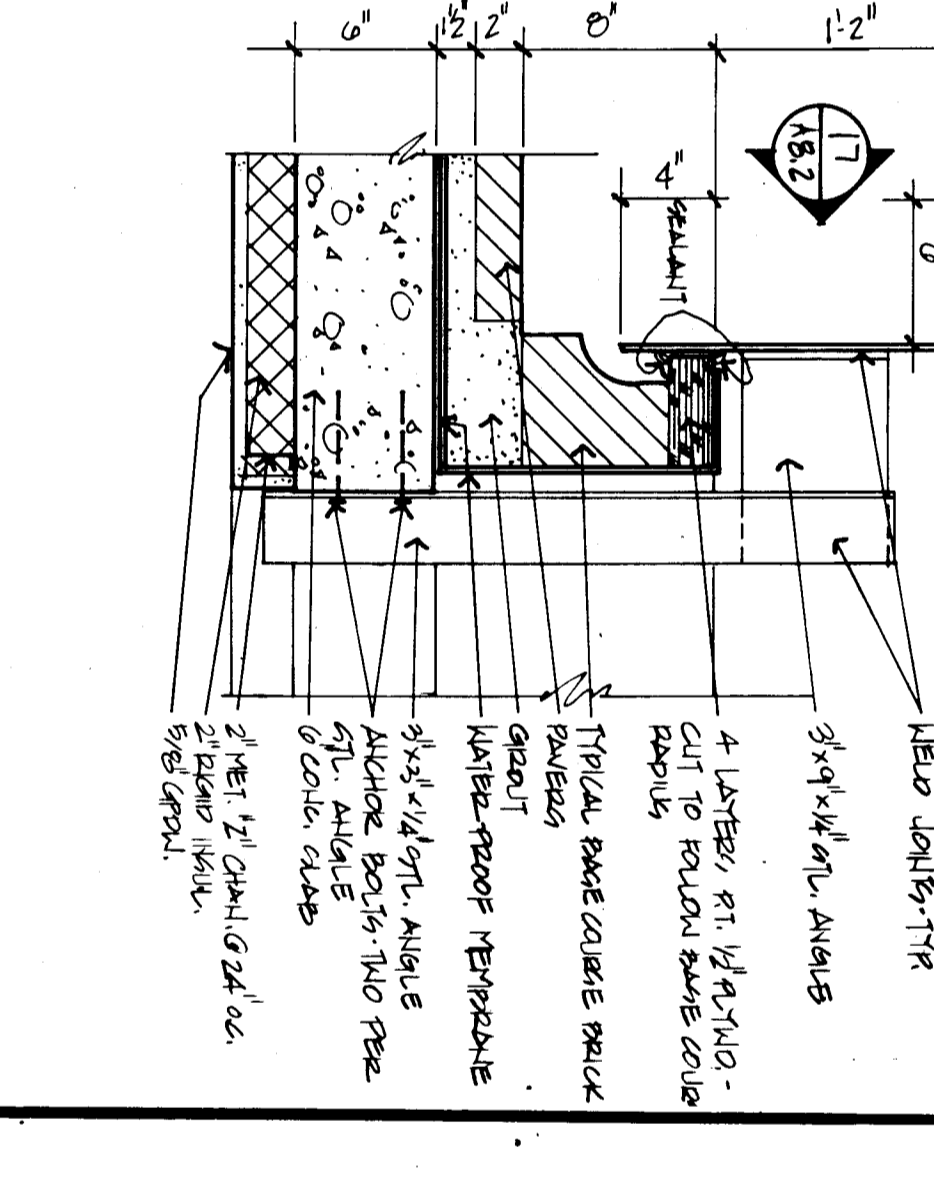
16 Flat Roof Overhang 1" x 1'-0"



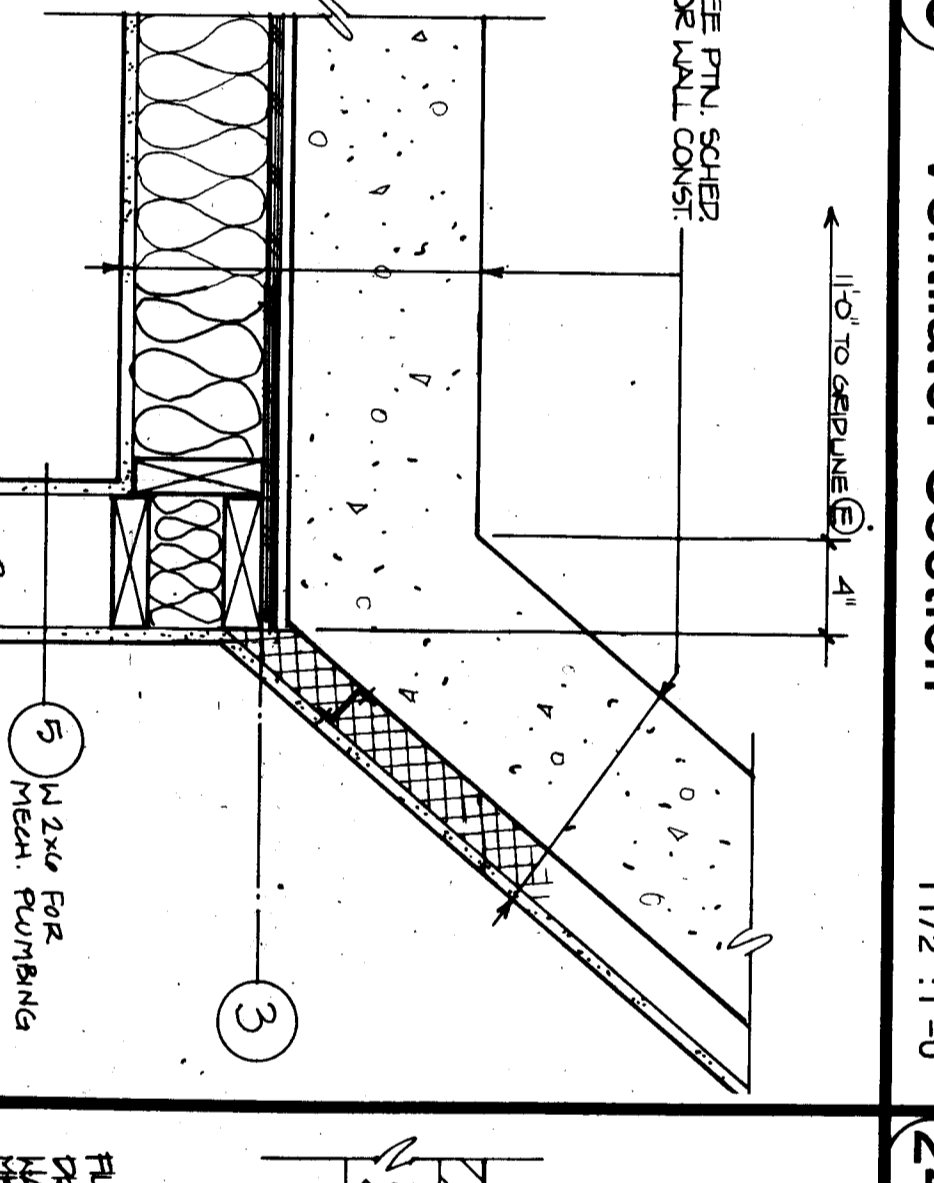
17 Ventilator Elevation 1/2" x 1'-0"



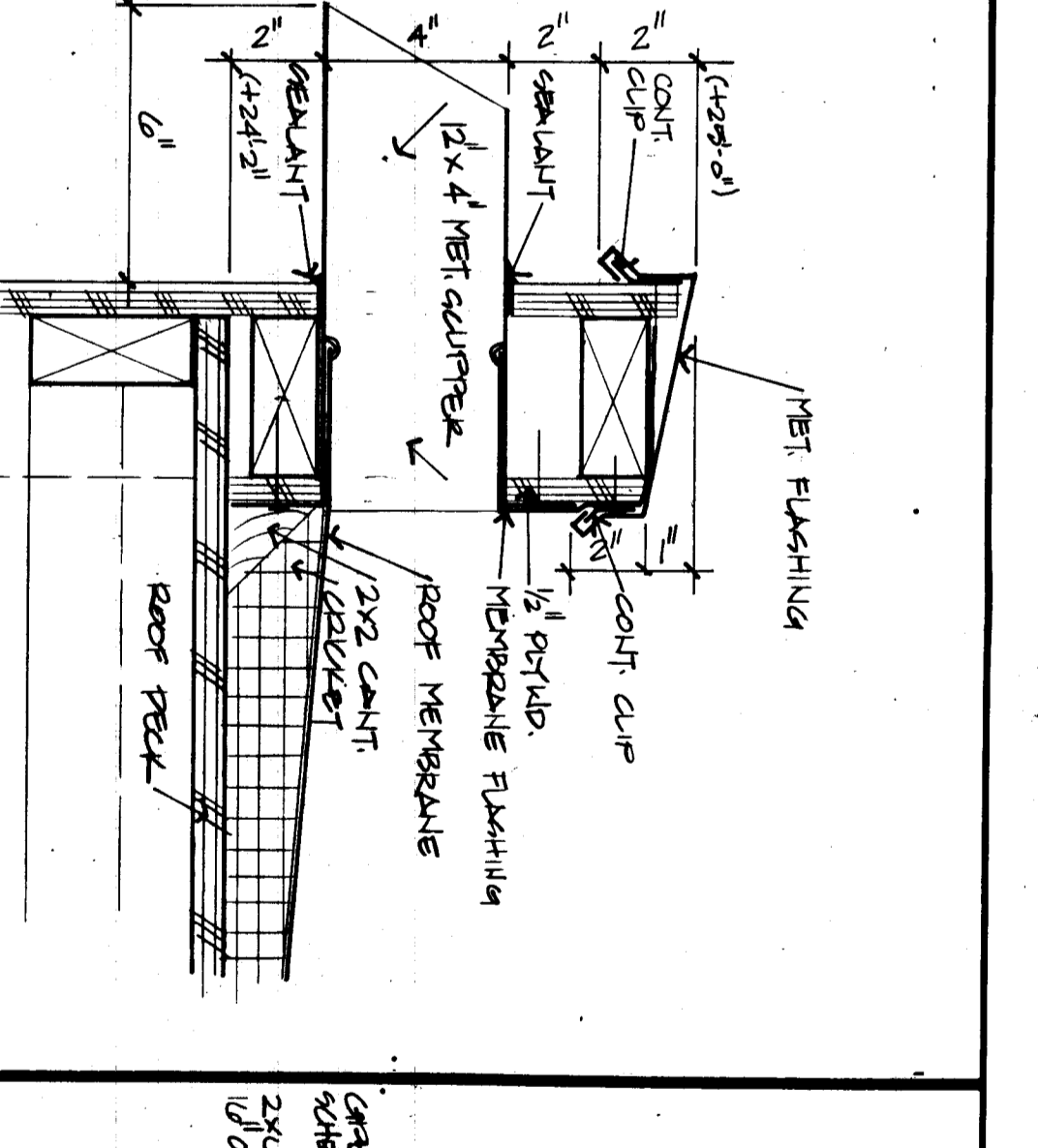
19 Ventilator Section 11/2" x 1'-0"



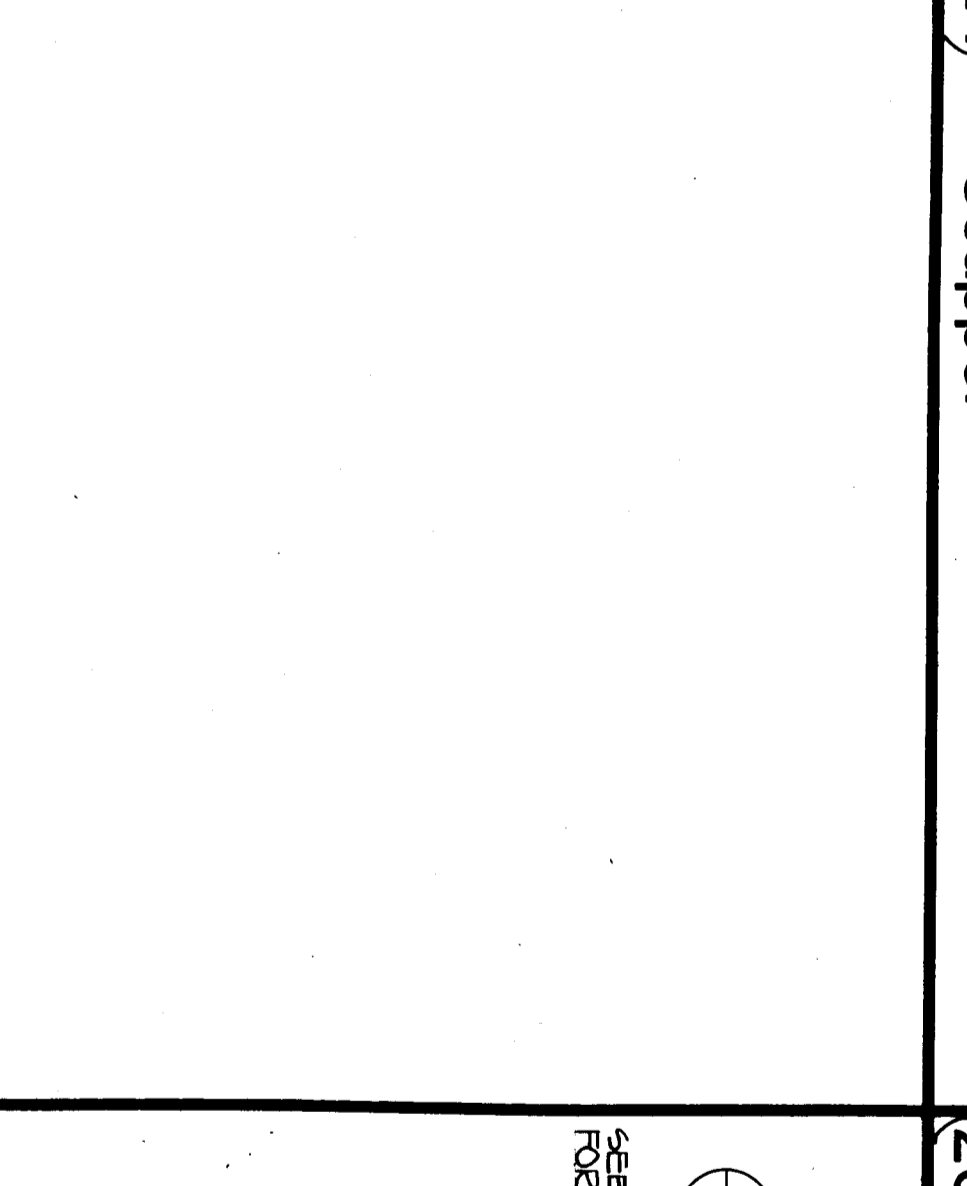
24 Access Panel 1" x 1'-0"



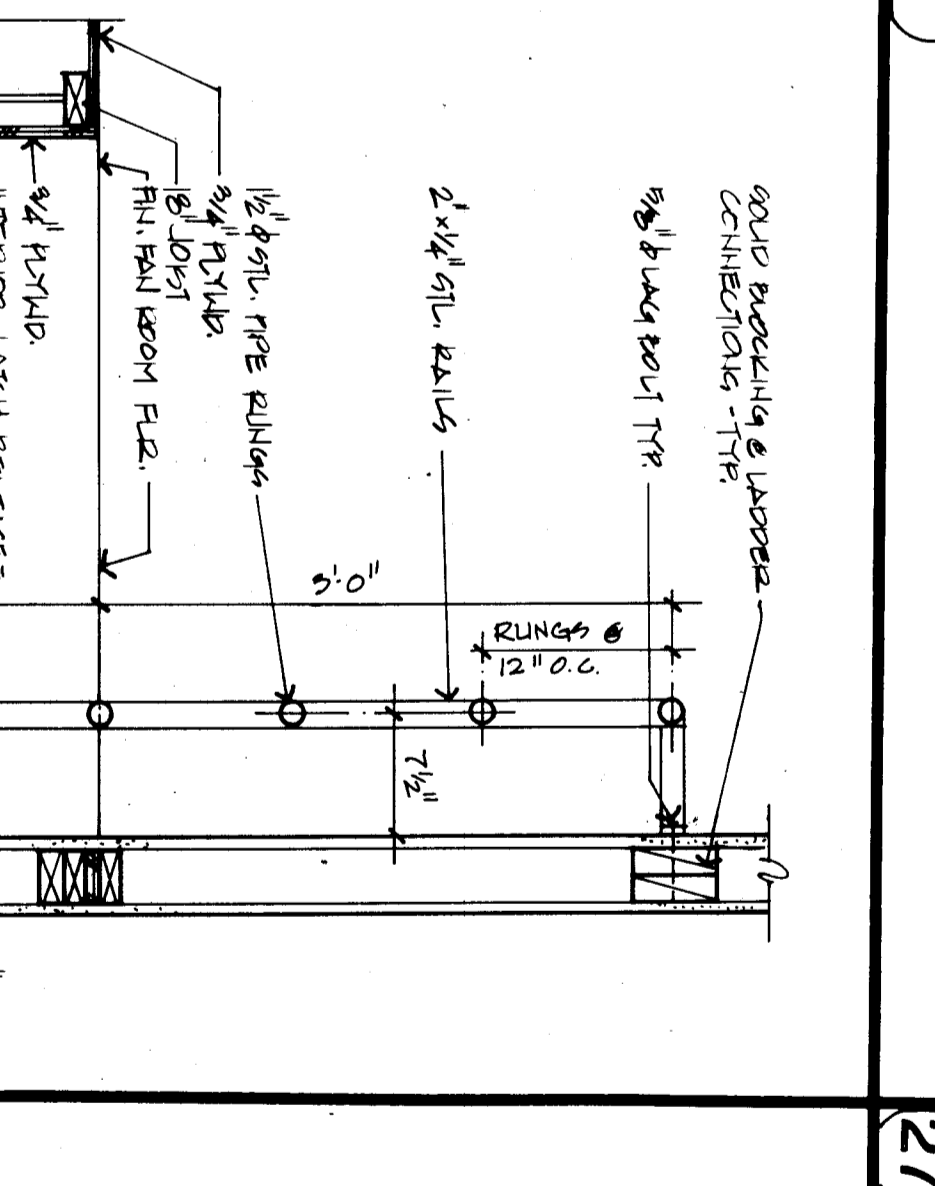
20 Wall at Retaining Wall 11/2" x 1'-0"



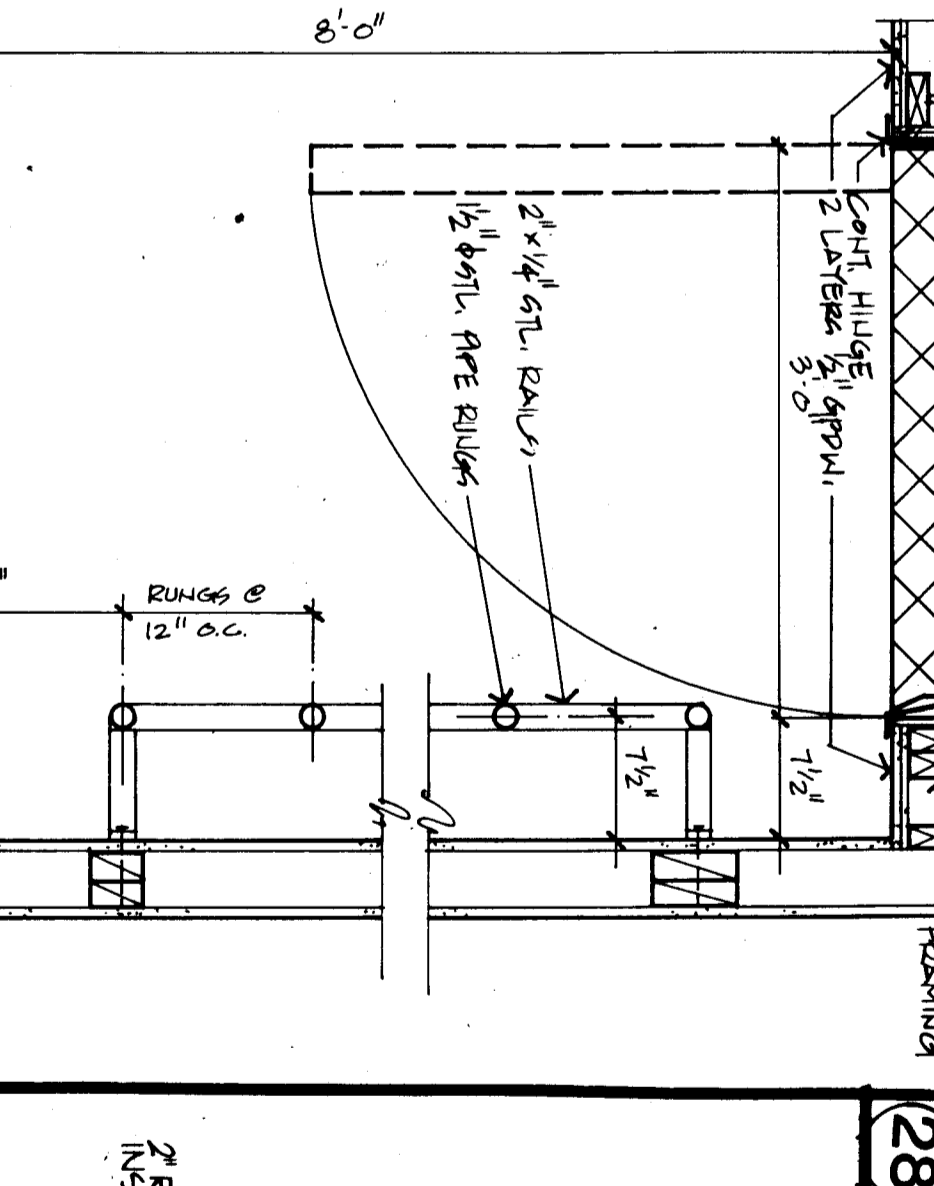
21 Scupper 11/2" x 1'-0"



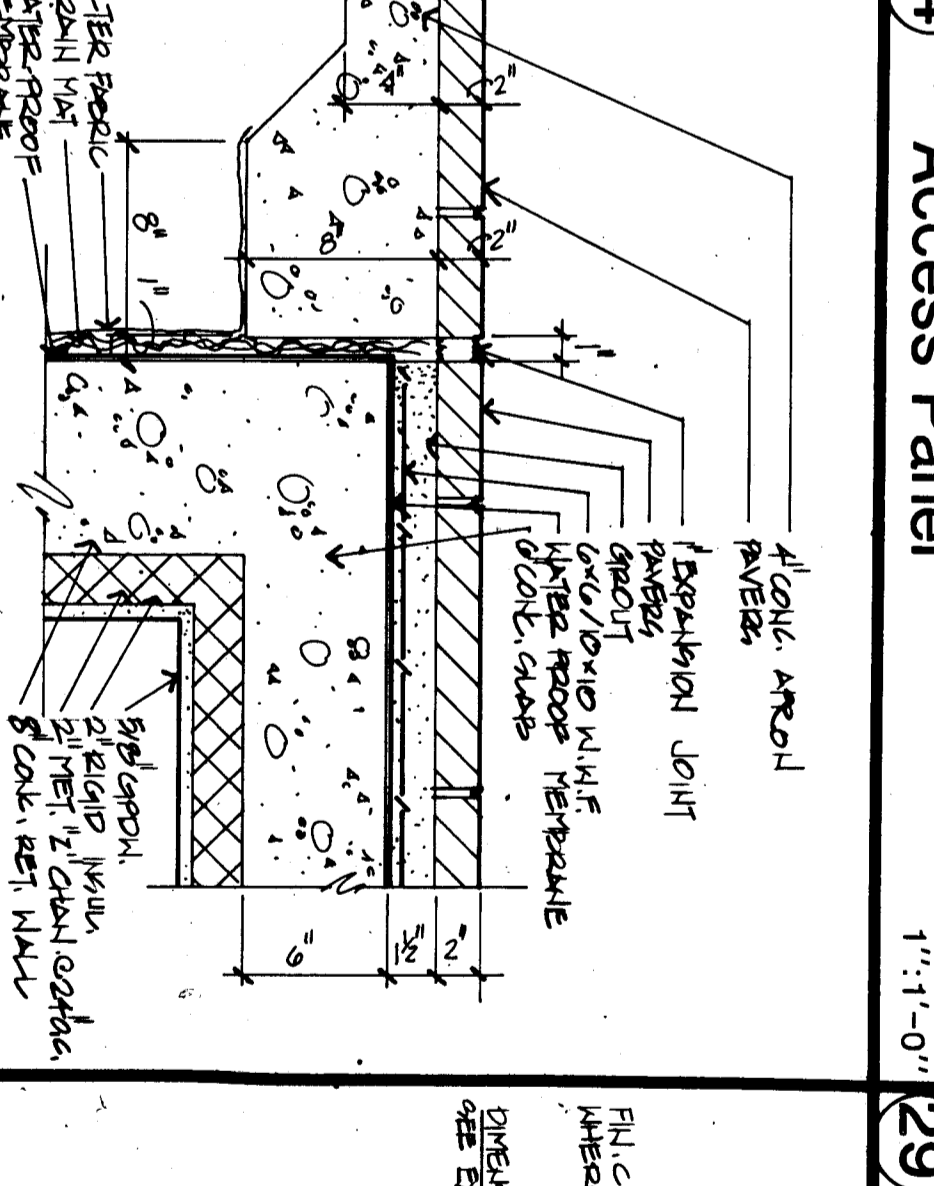
27 Expansion Joint 11/2" x 1'-0"



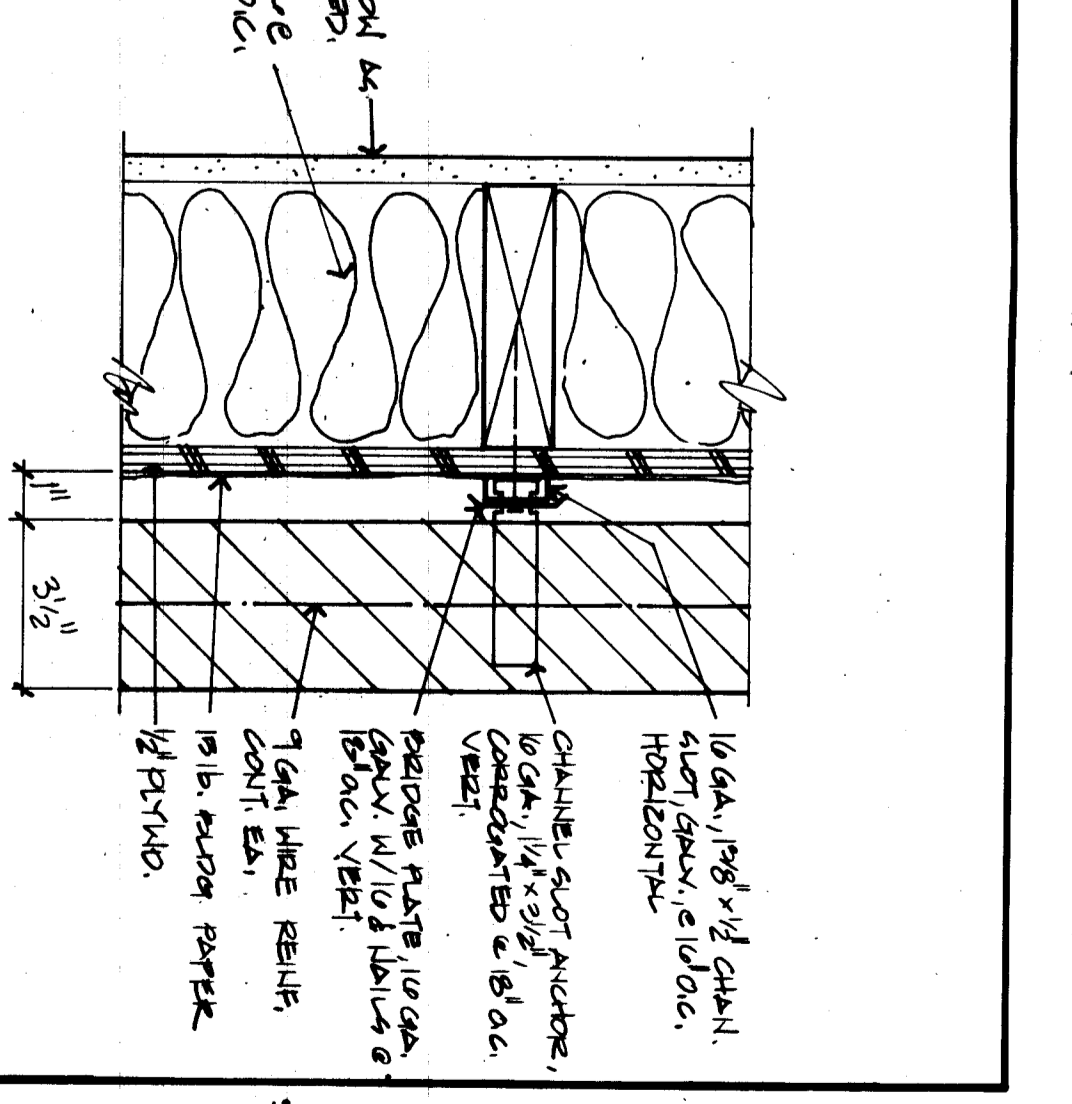
28 Veneer Detail 11/2" x 1'-0"



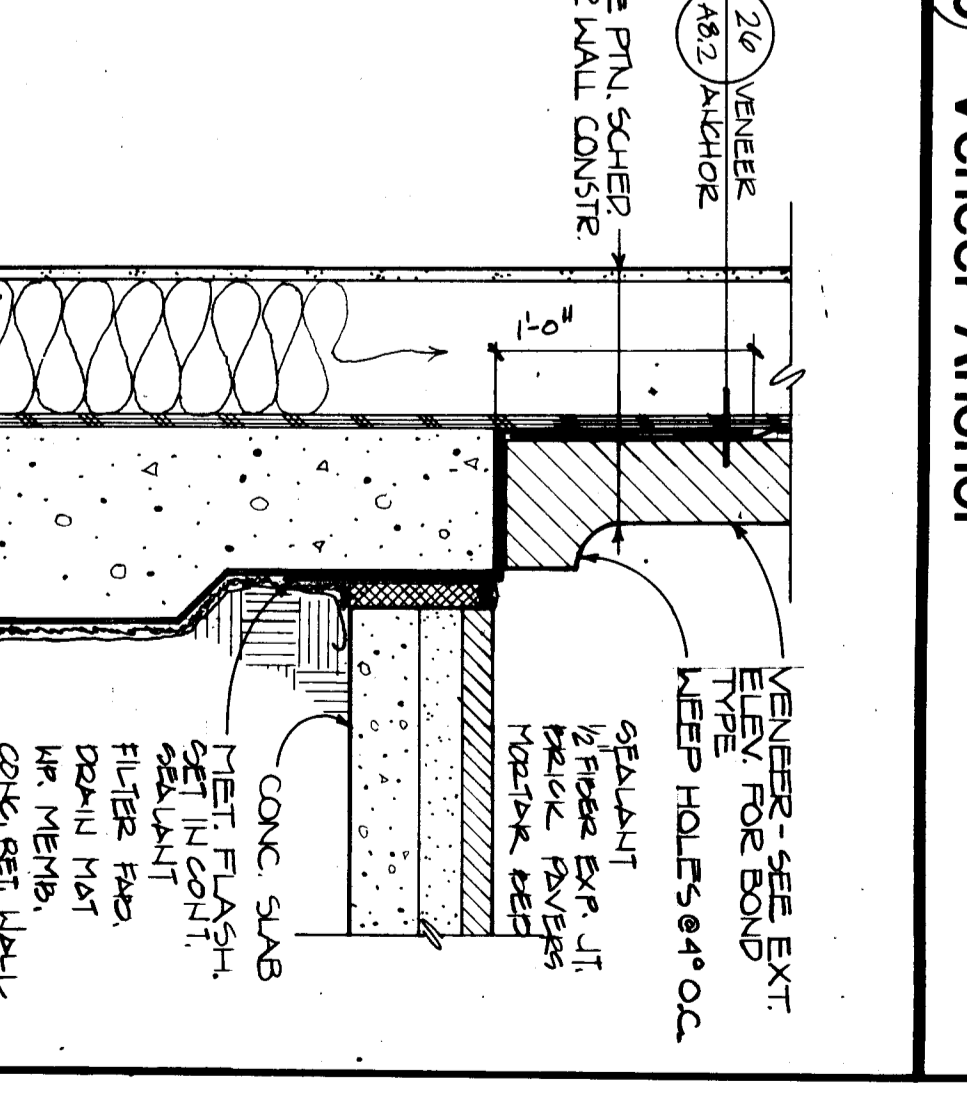
29 Base Course Detail 11/2" x 1'-0"



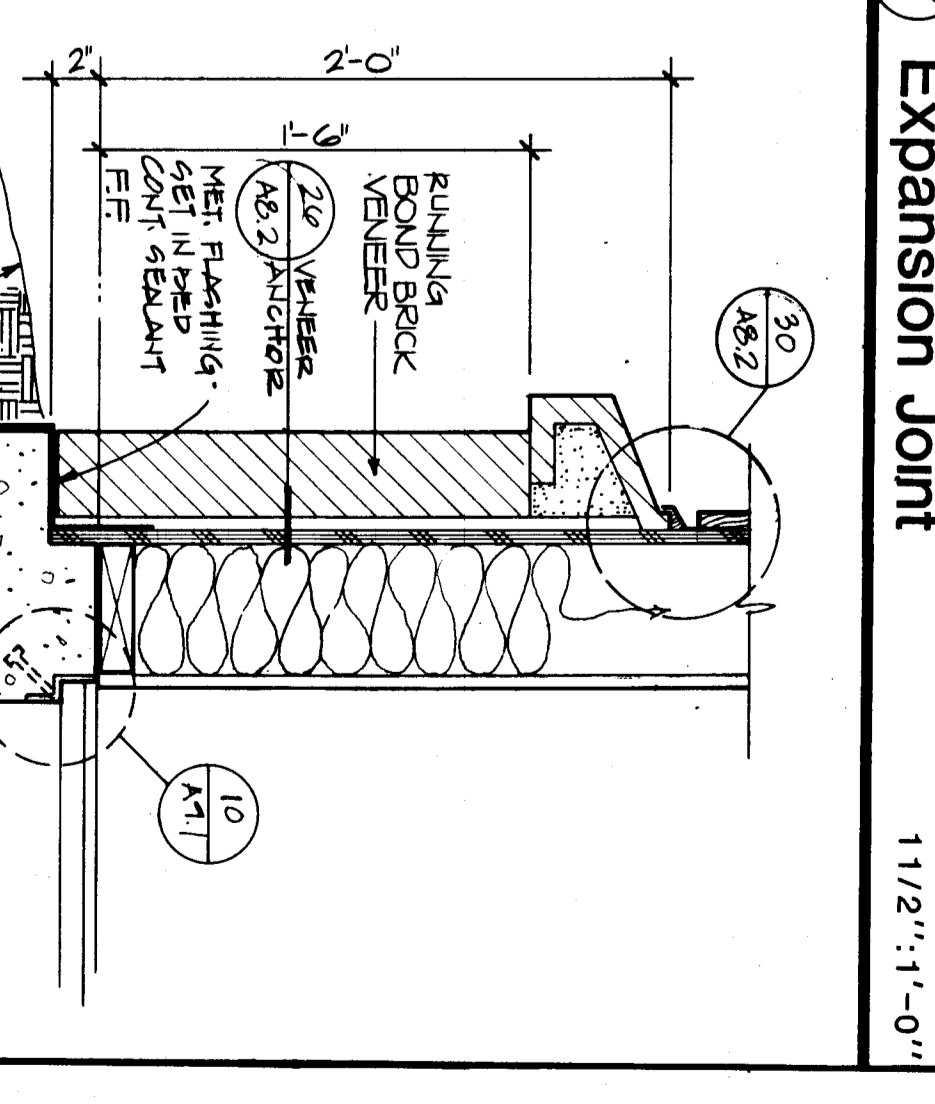
29 Expansion Joint 11/2" x 1'-0"



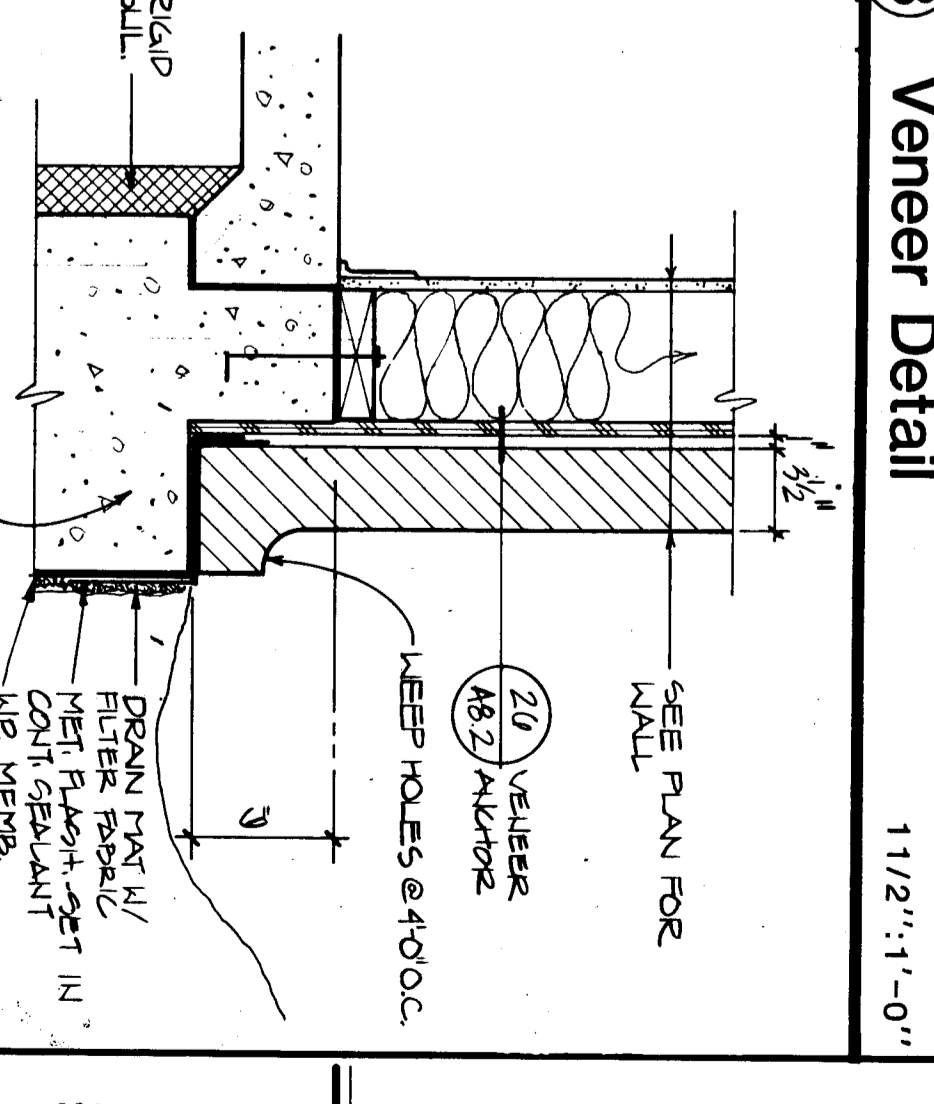
26 Veneer Anchor 11/2" x 1'-0"



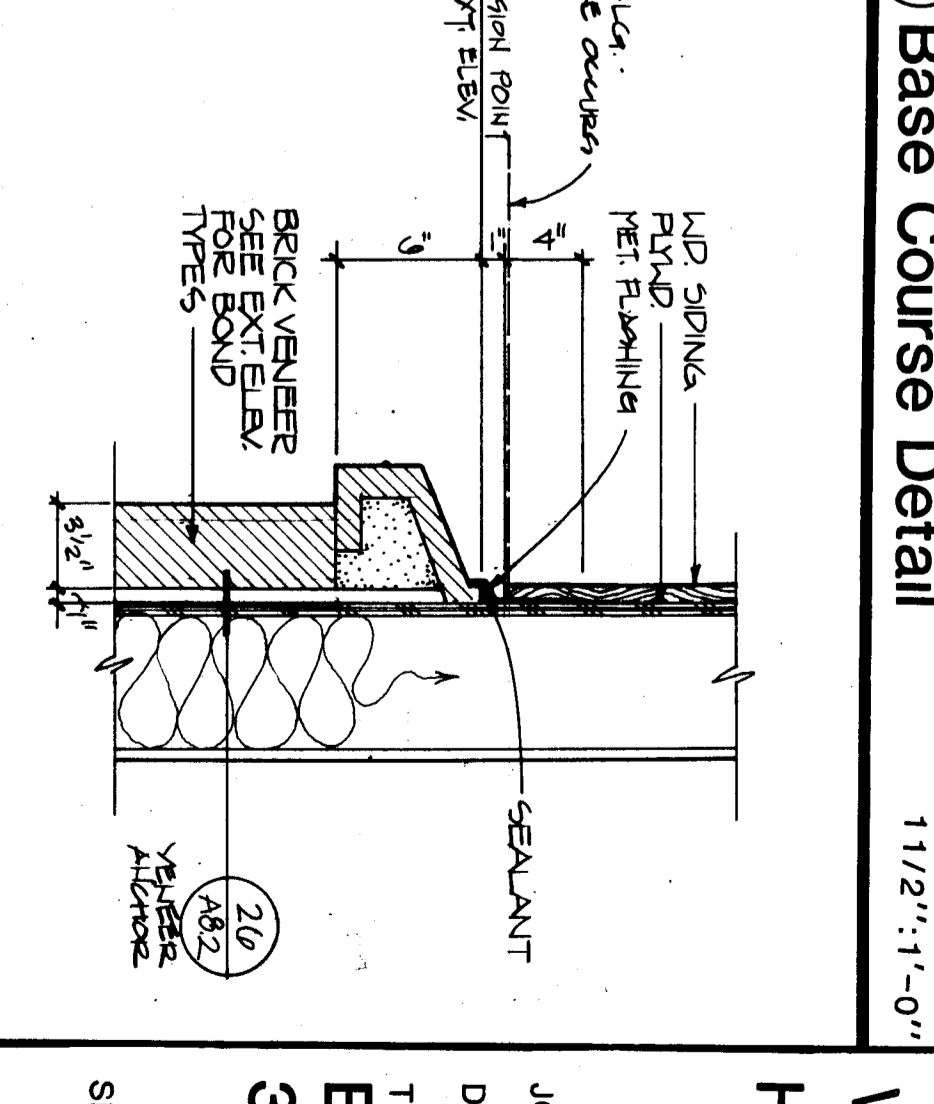
27 Expansion Joint 11/2" x 1'-0"



28 Veneer Detail 11/2" x 1'-0"

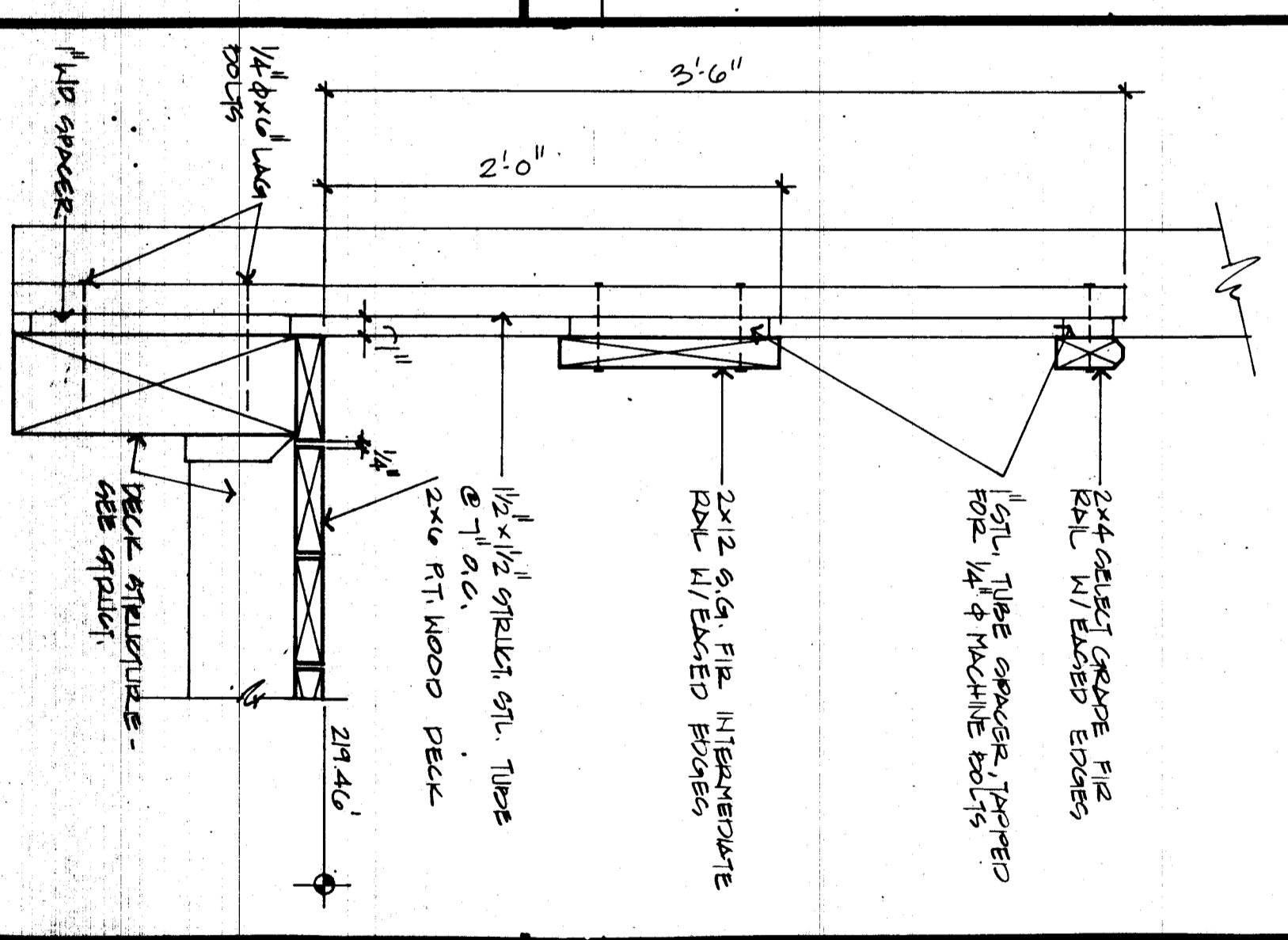


29 Base Course Detail 11/2" x 1'-0"

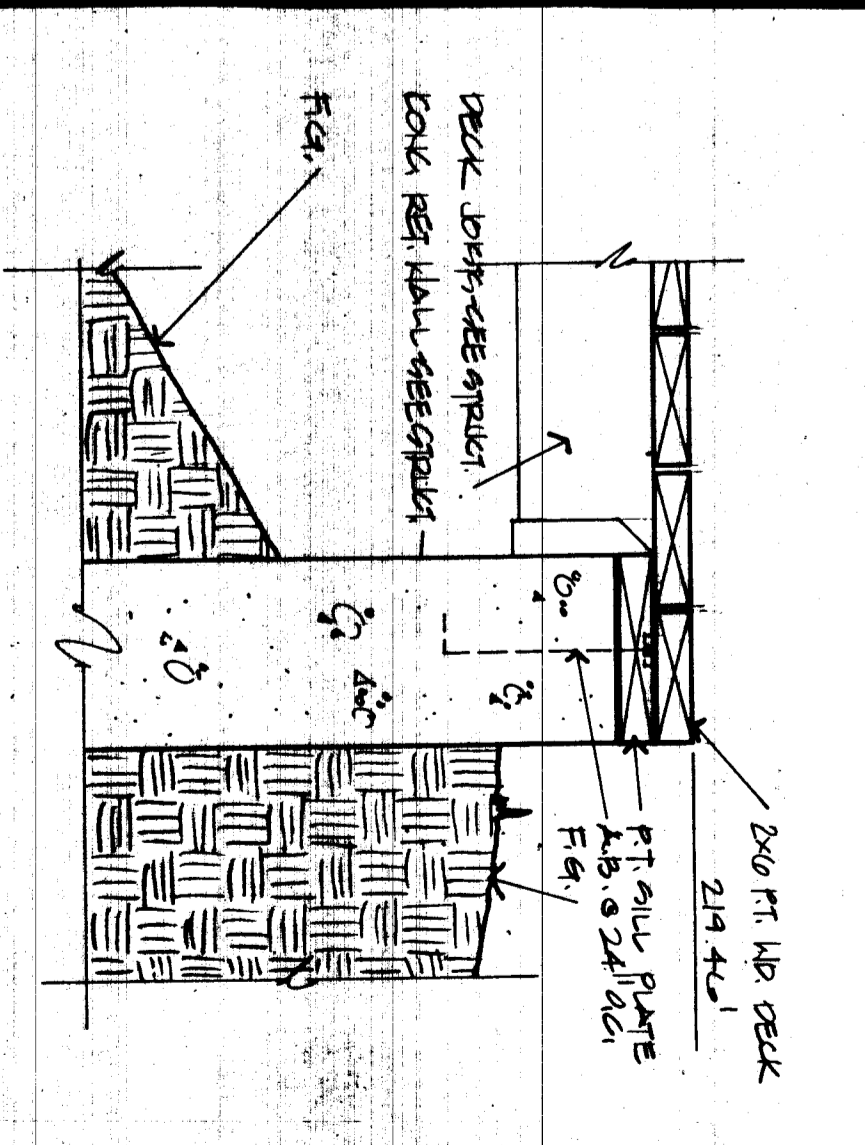


30 Coping Block 11/2" x 1'-0"

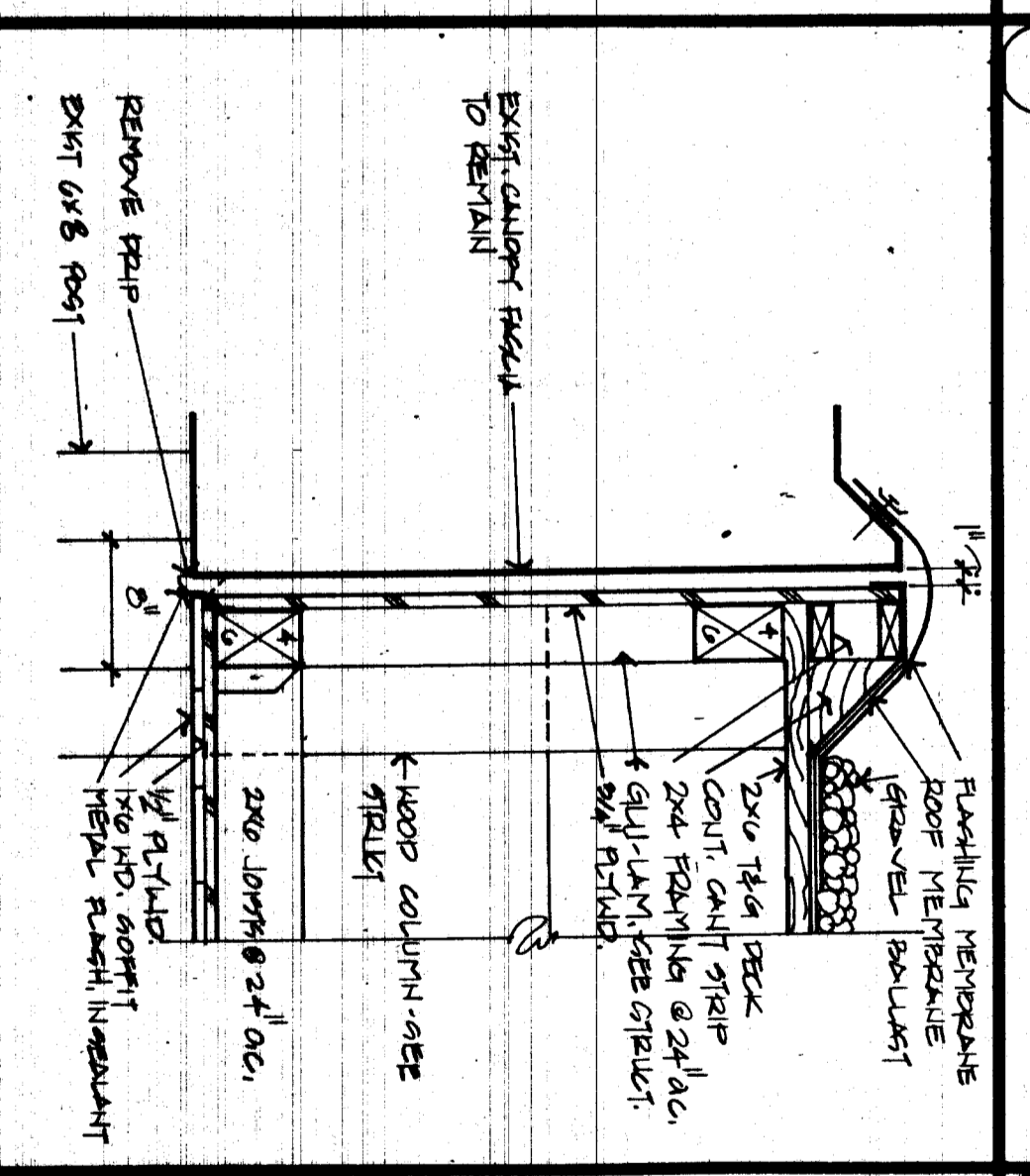
25 Guardrail Section 1 1/2" x 1'-0"



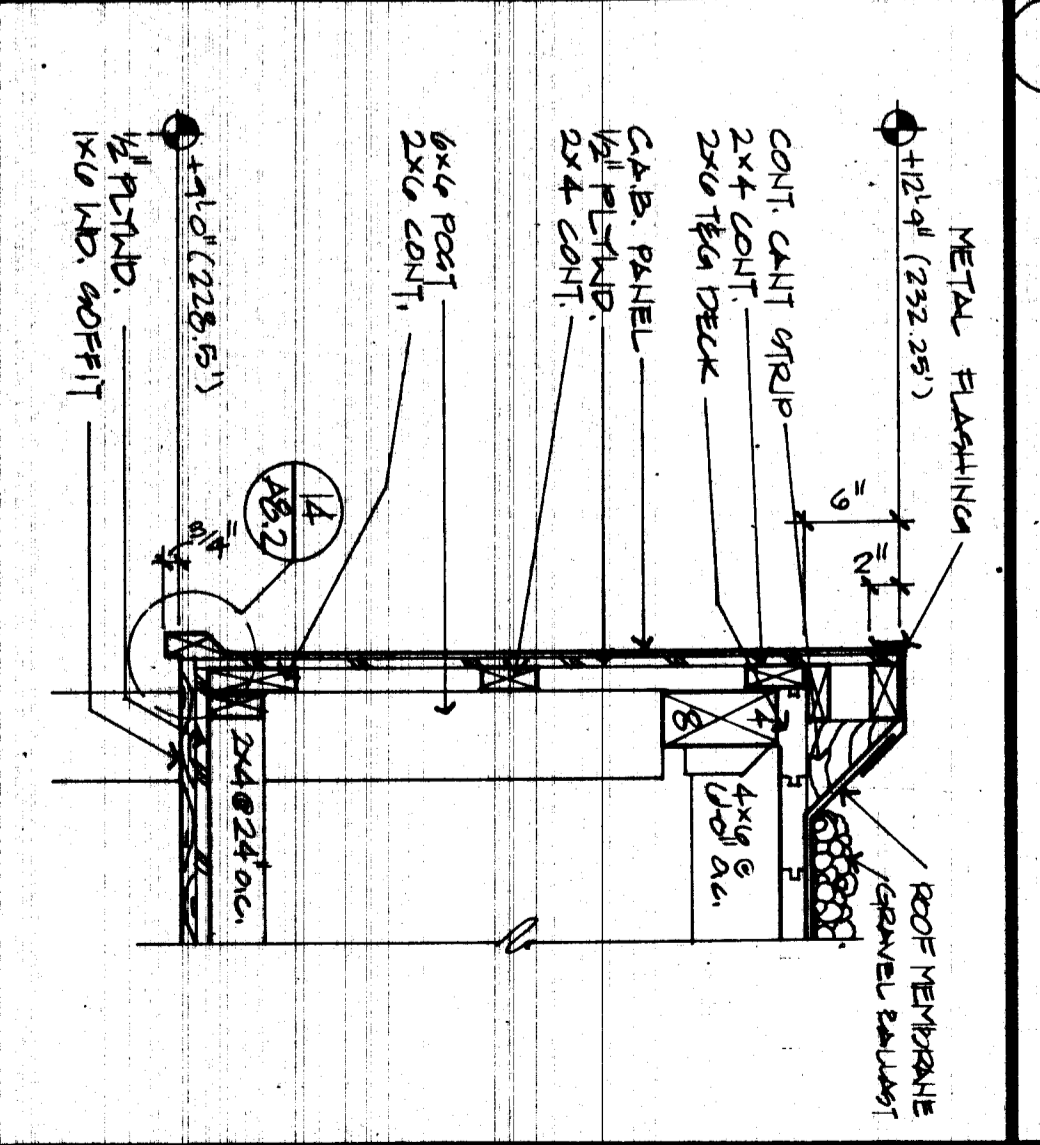
30 Covered Walk Edge 1 1/2" x 1'-0"



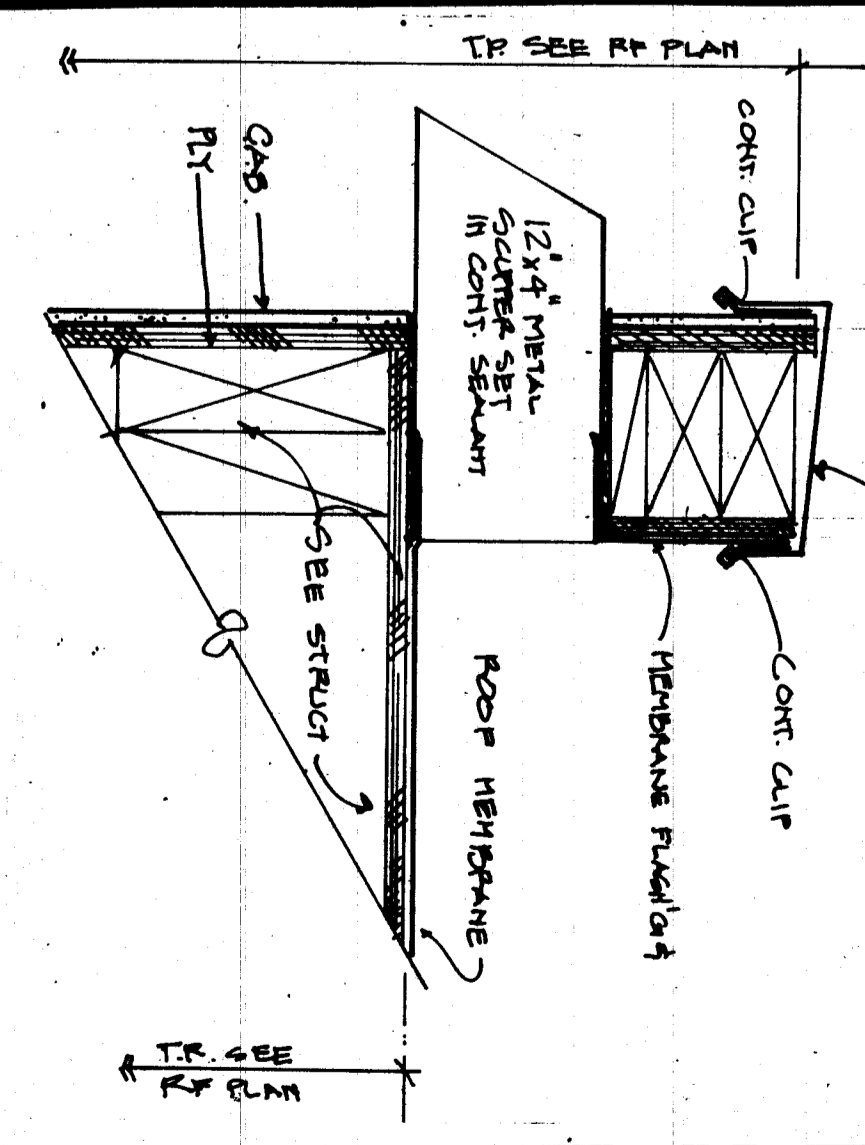
23 New/Exisi. Canopy Conn. 1'-1'-0"

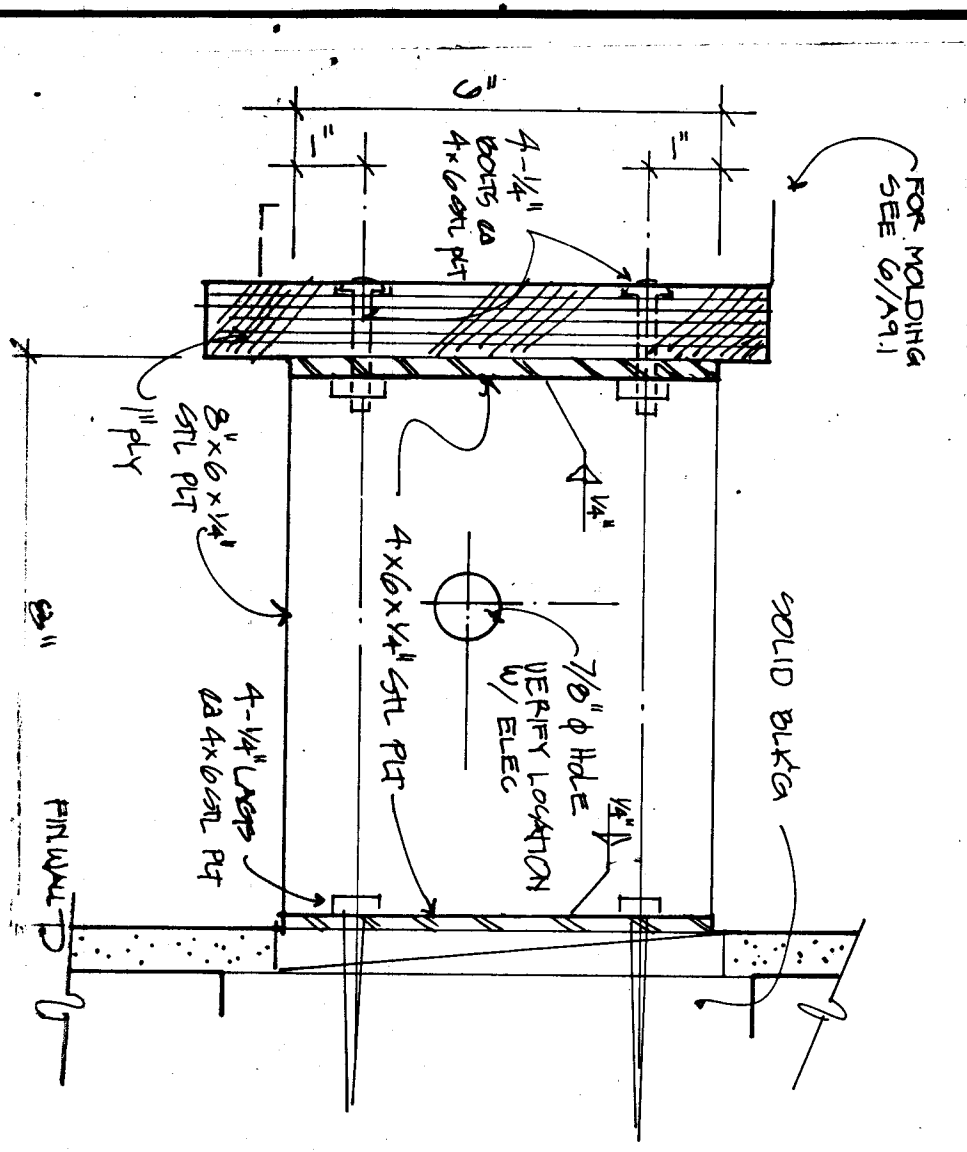


28 Canopy Fascia 1'-1'-0"

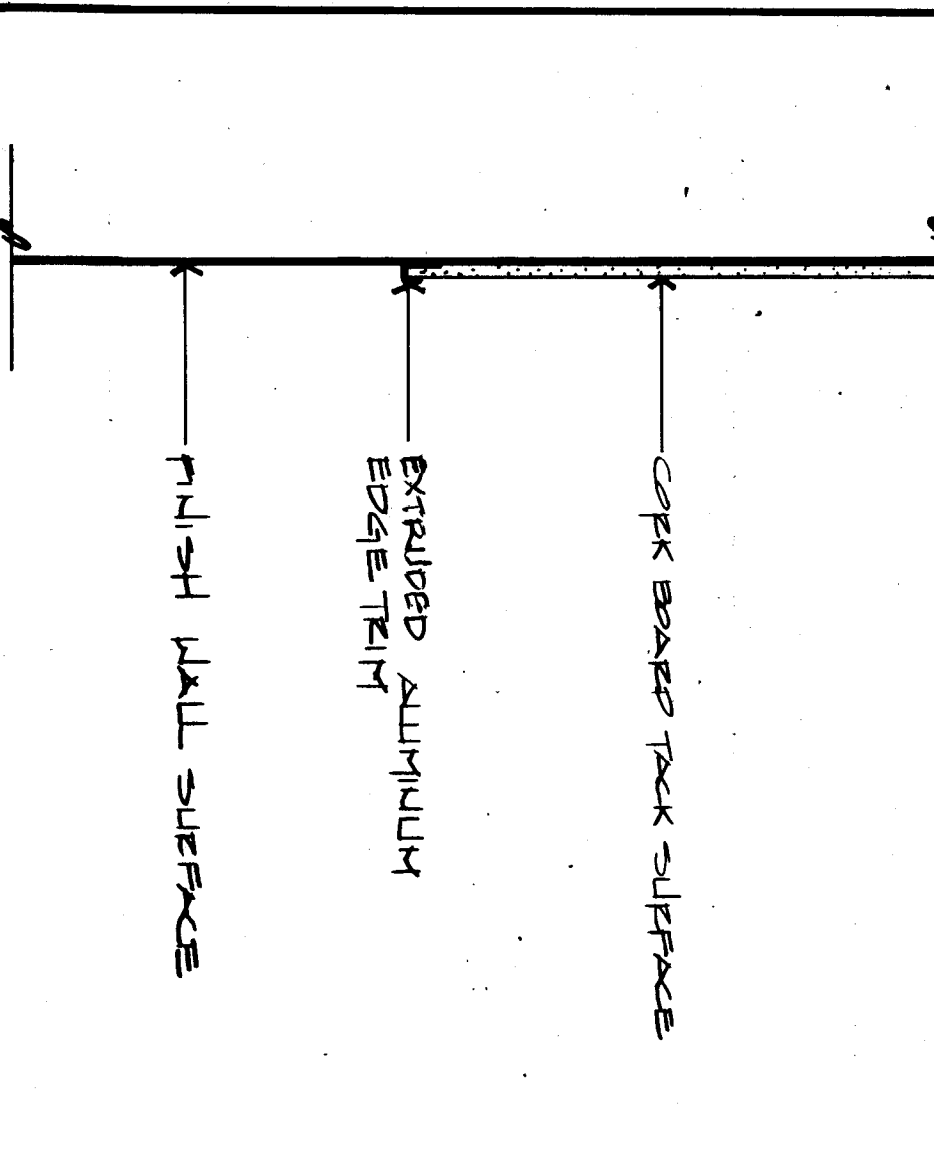


29 Scupper

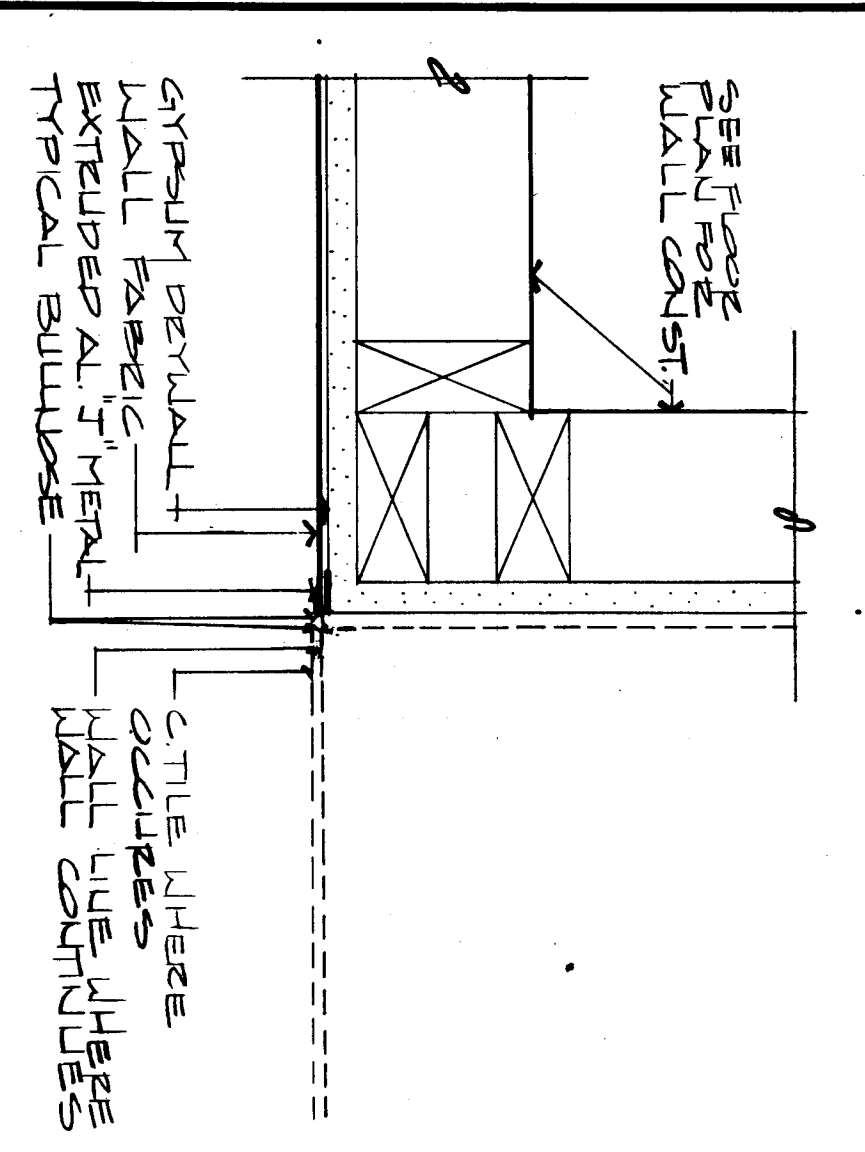




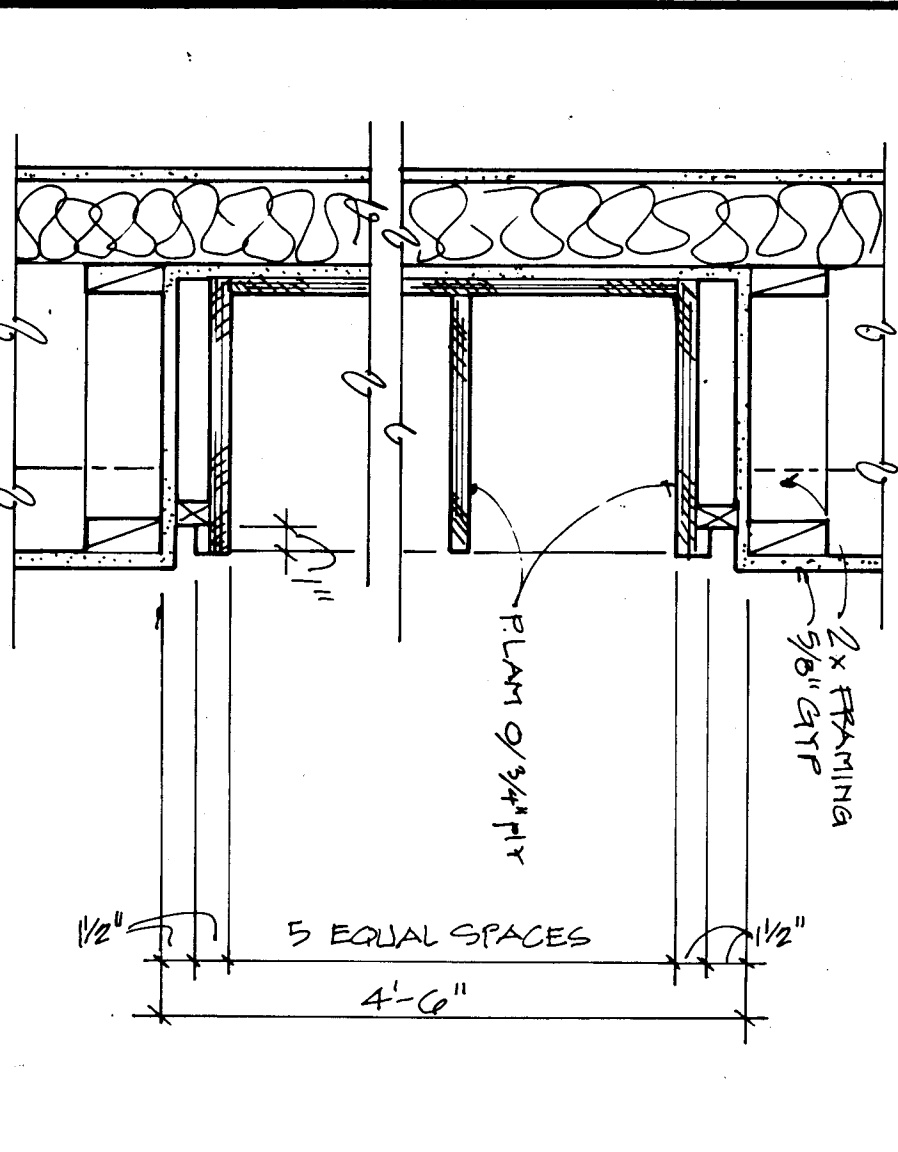
1 Molding Detail



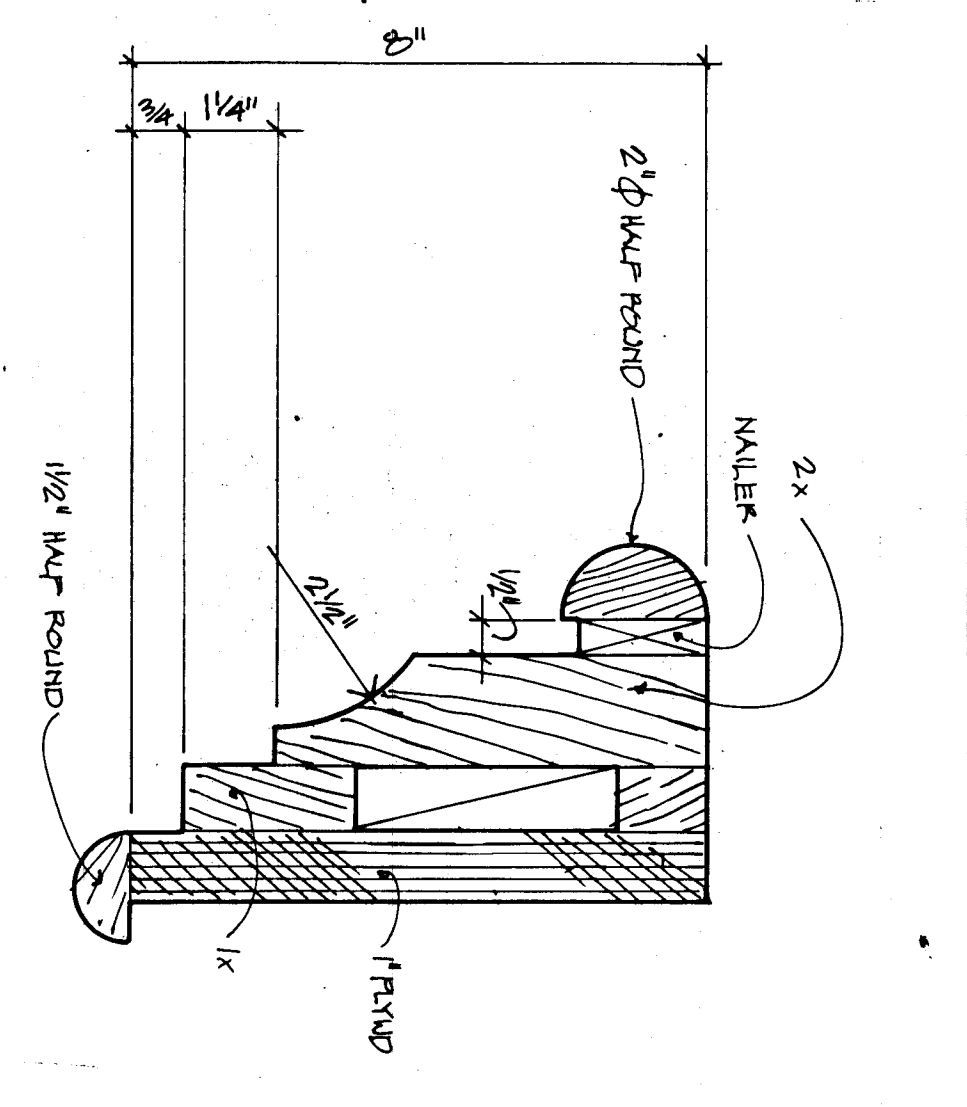
2 Edge Moulding



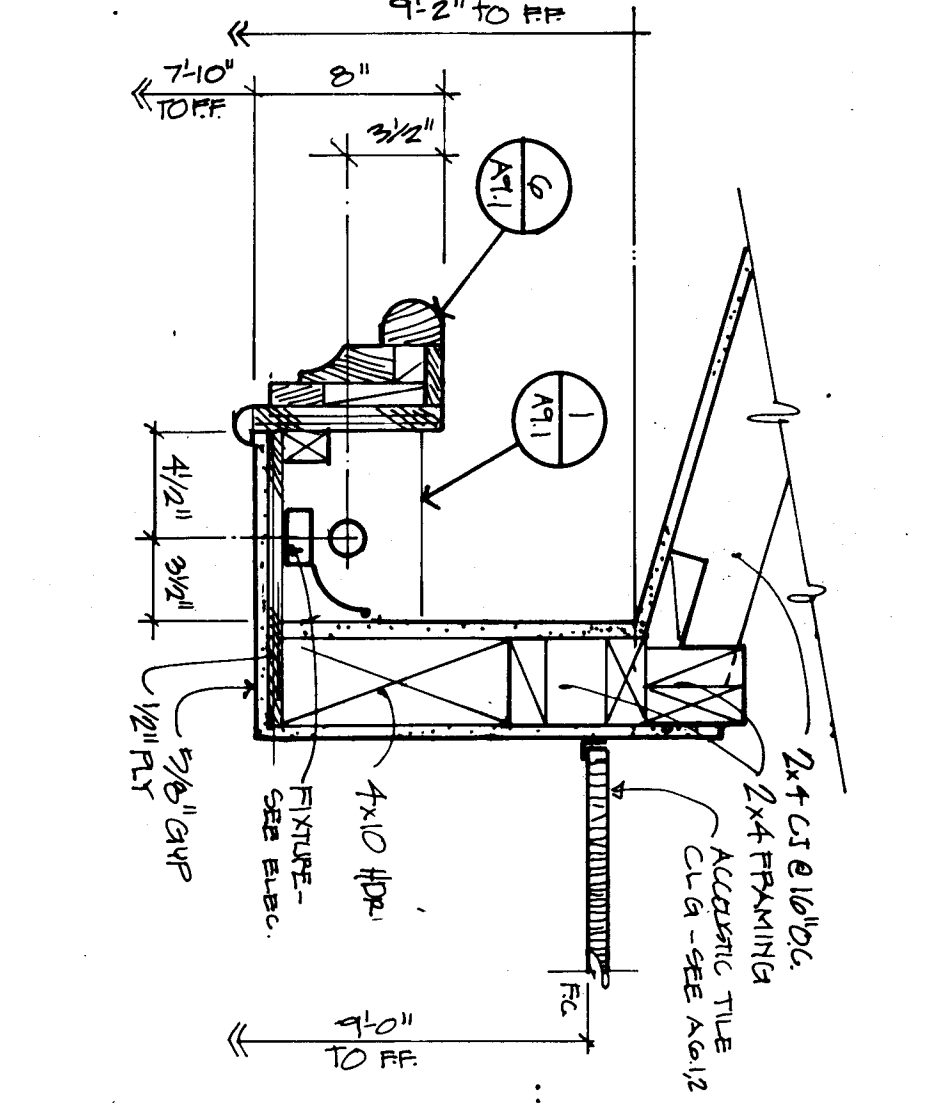
3 Edge Moulding



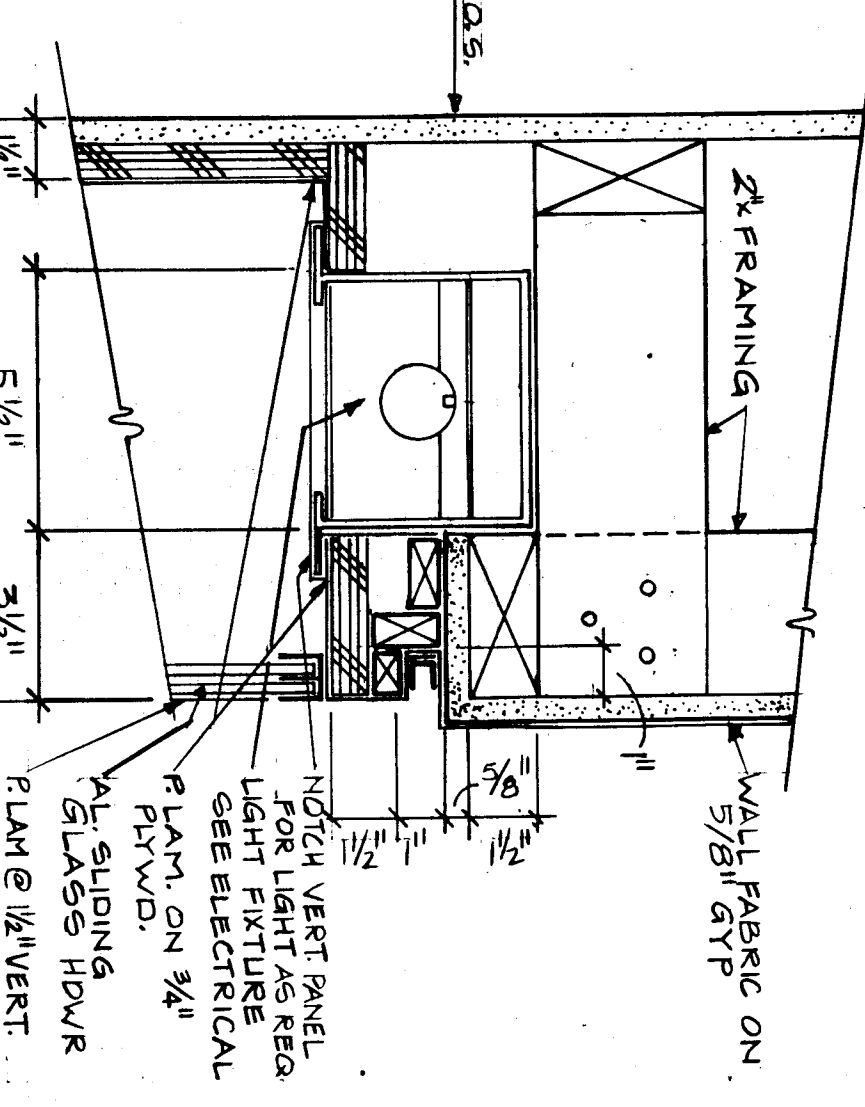
4 Mail Cubicle



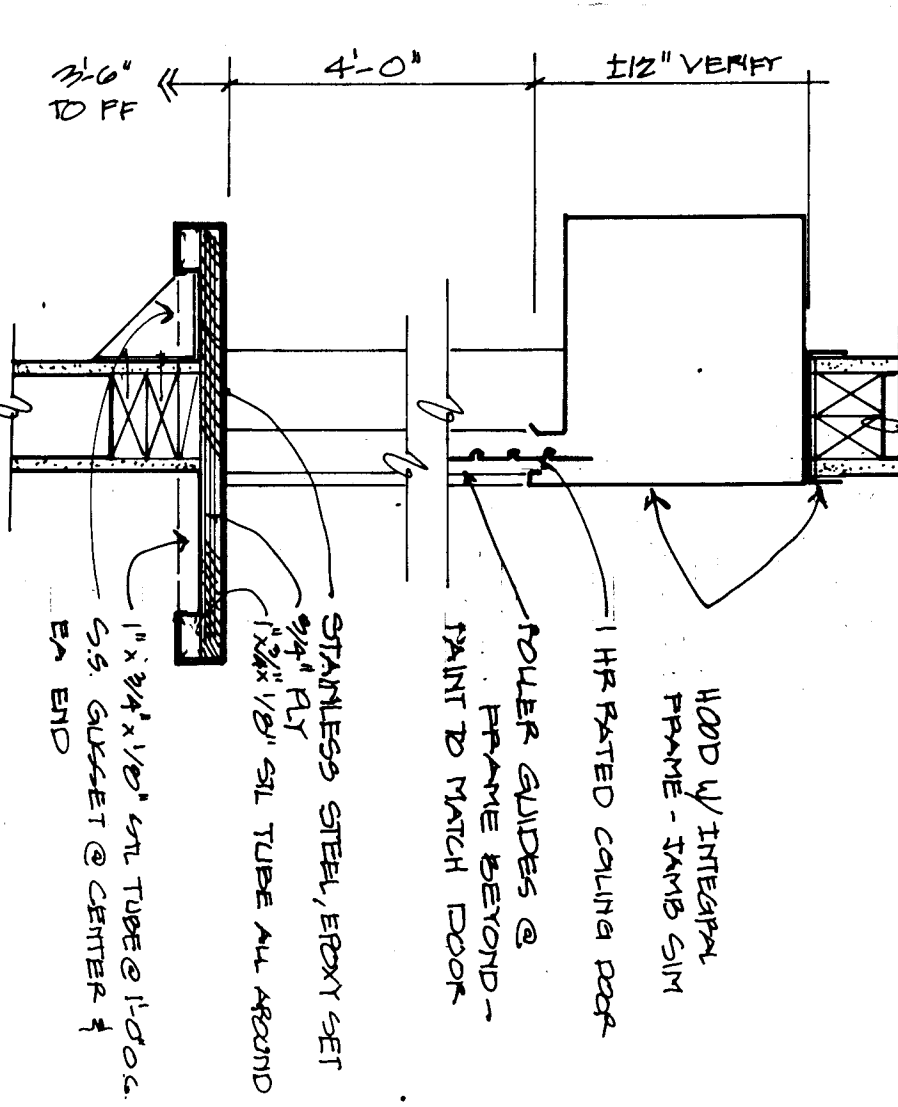
6 Molding Detail



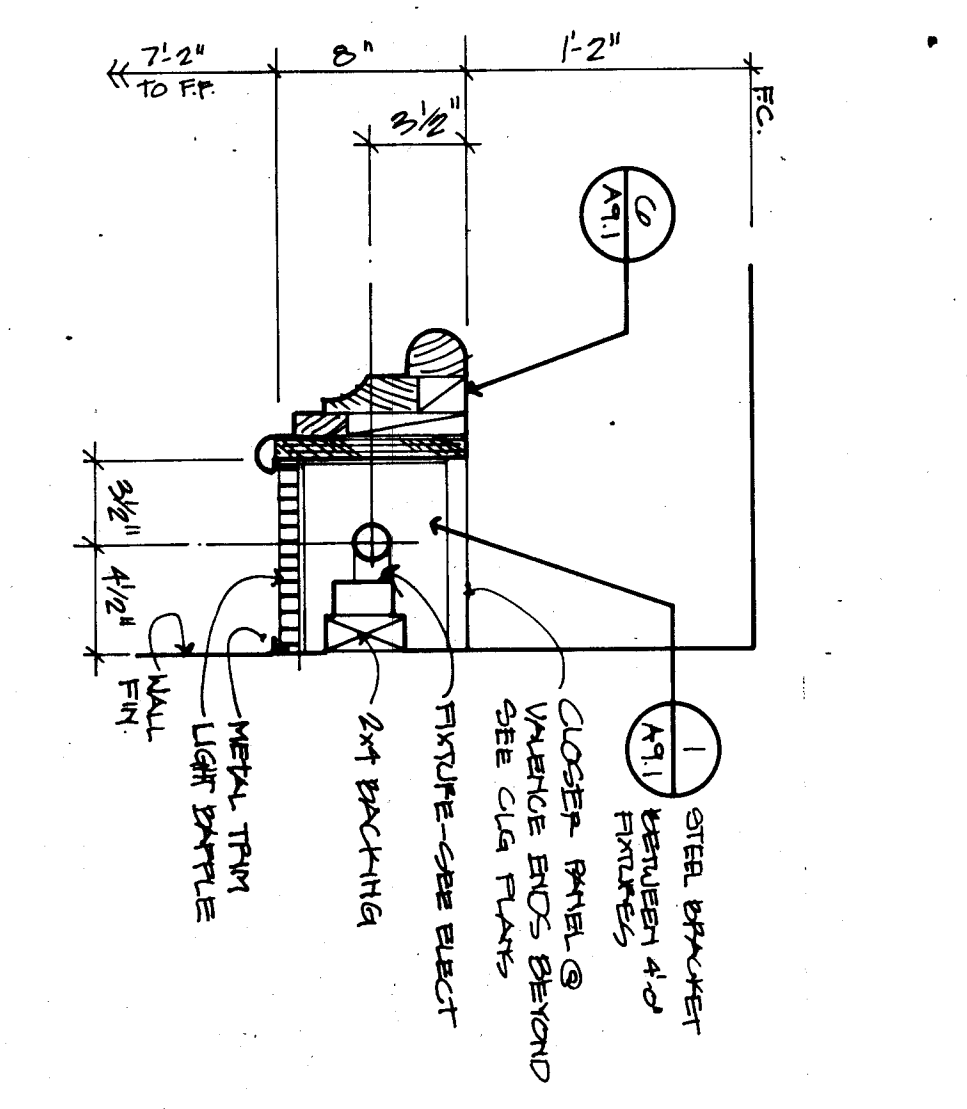
7 Valence Light



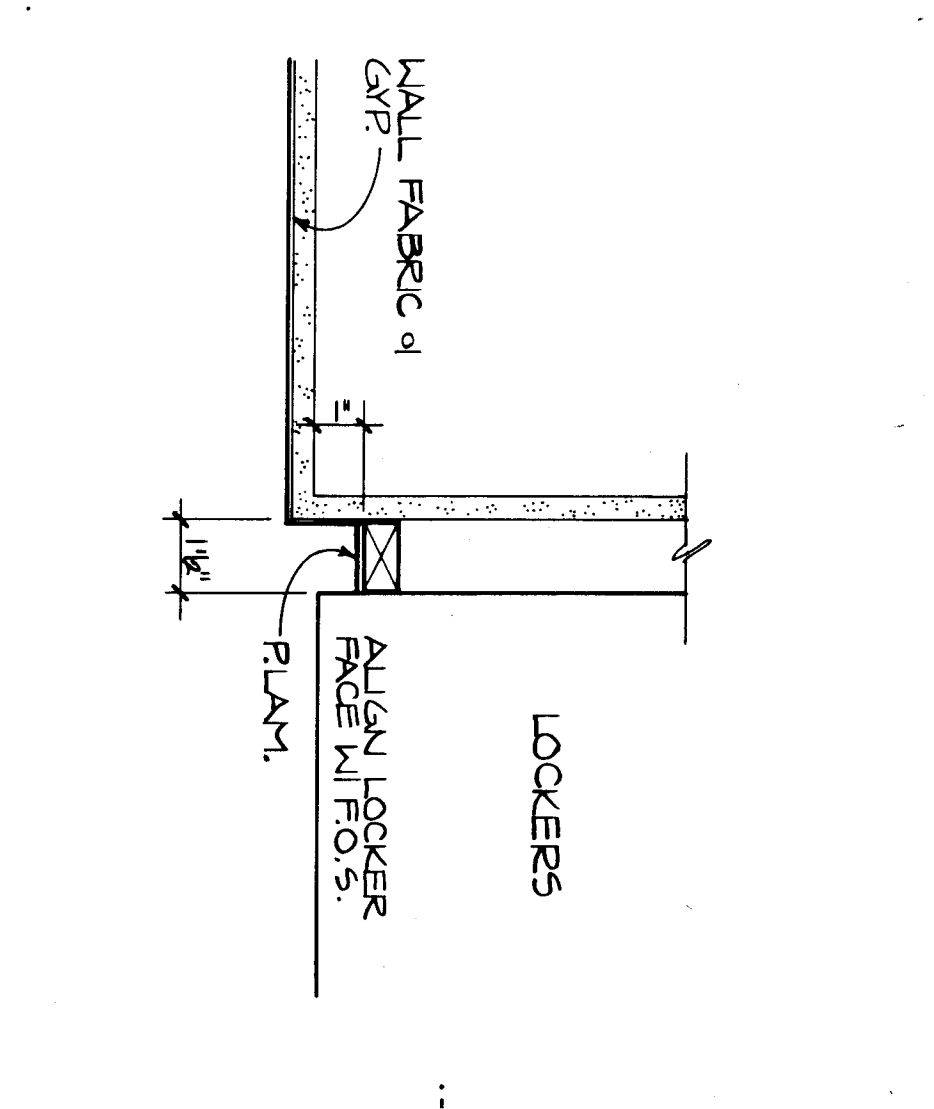
8 Display Light



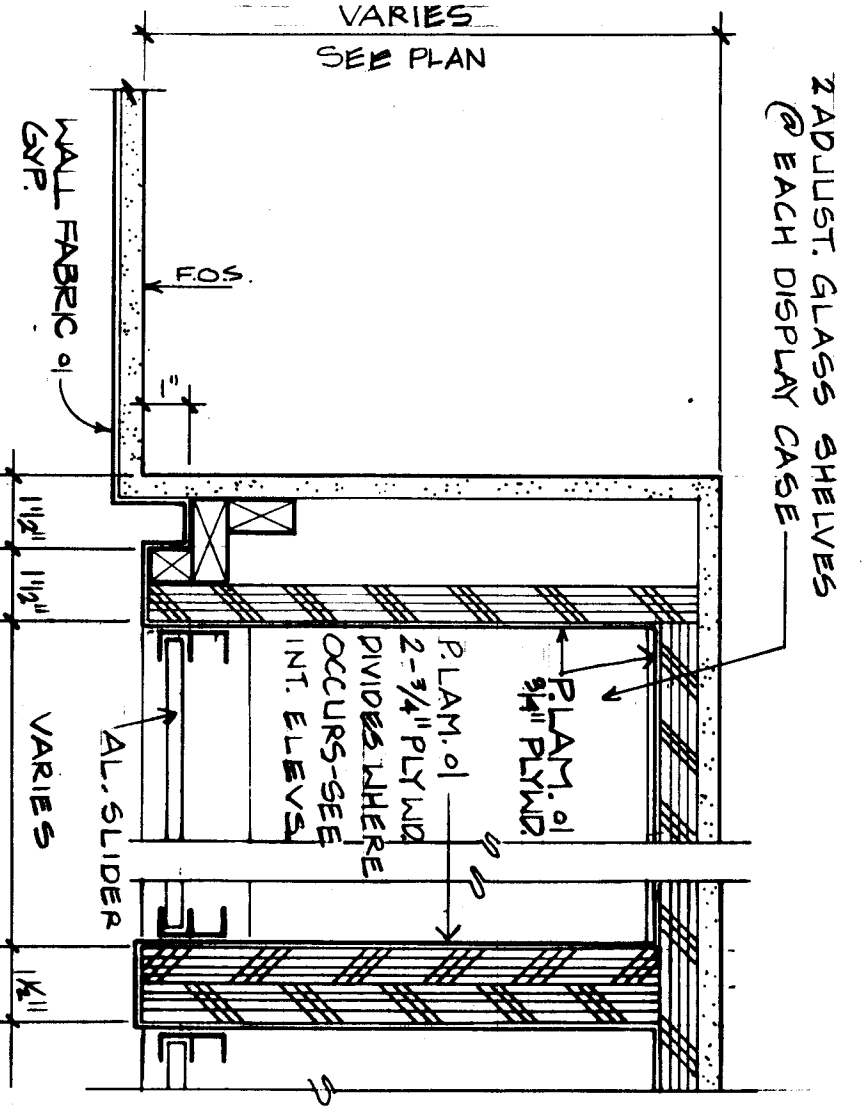
9 Counter Door



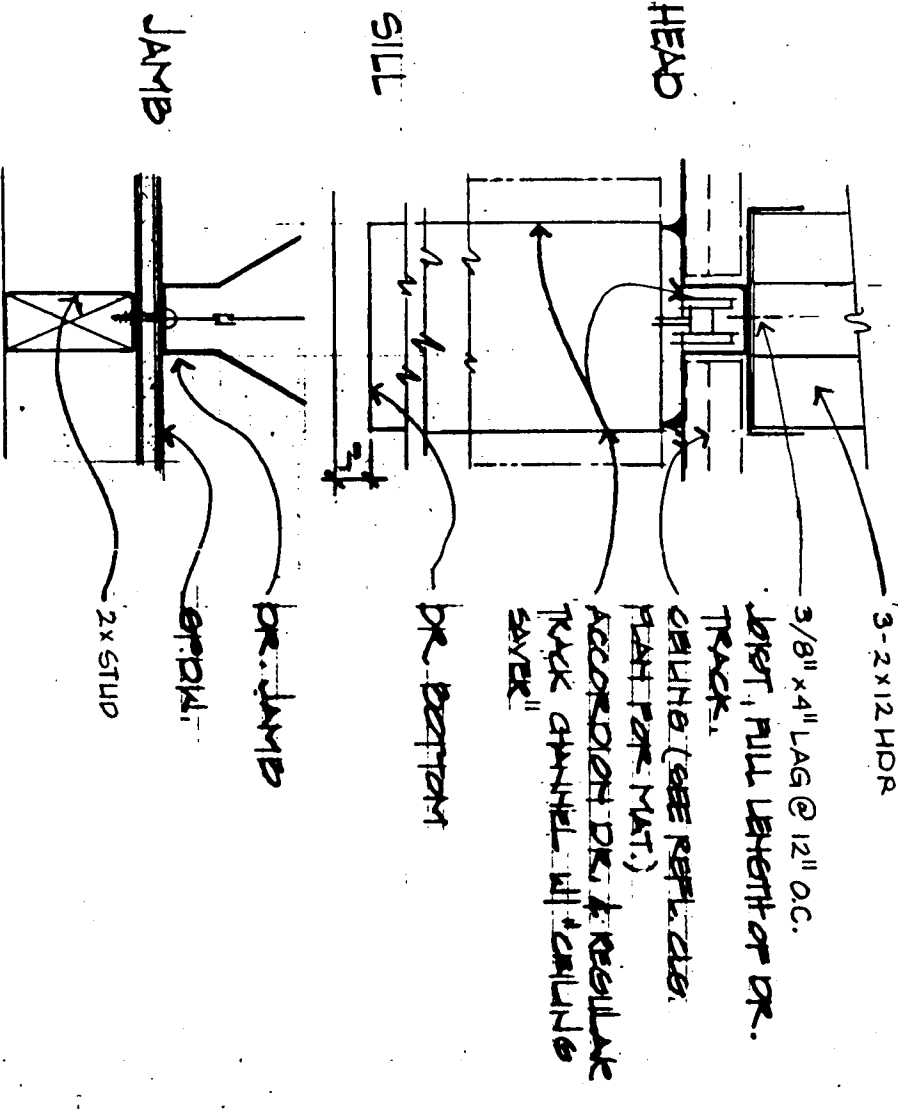
11 Valence Light



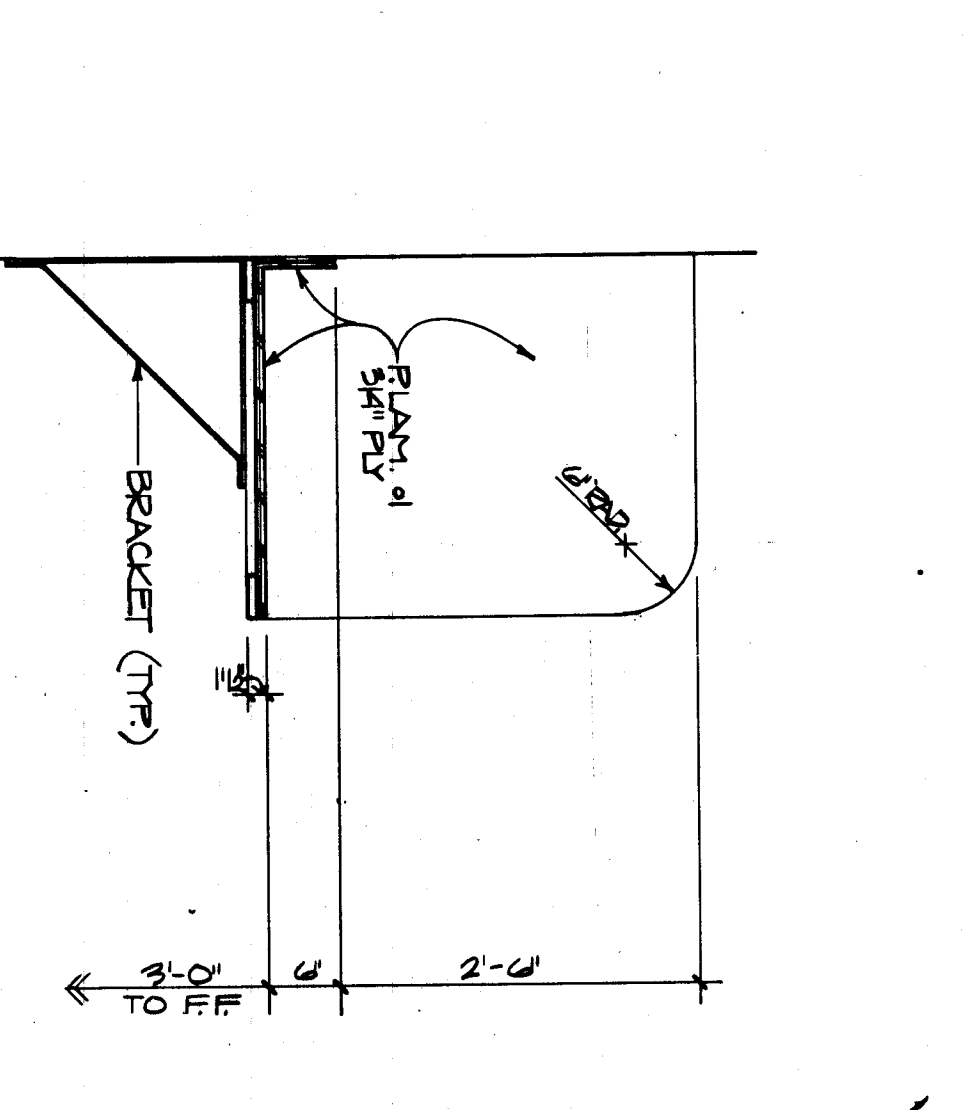
12 Locker Reveal



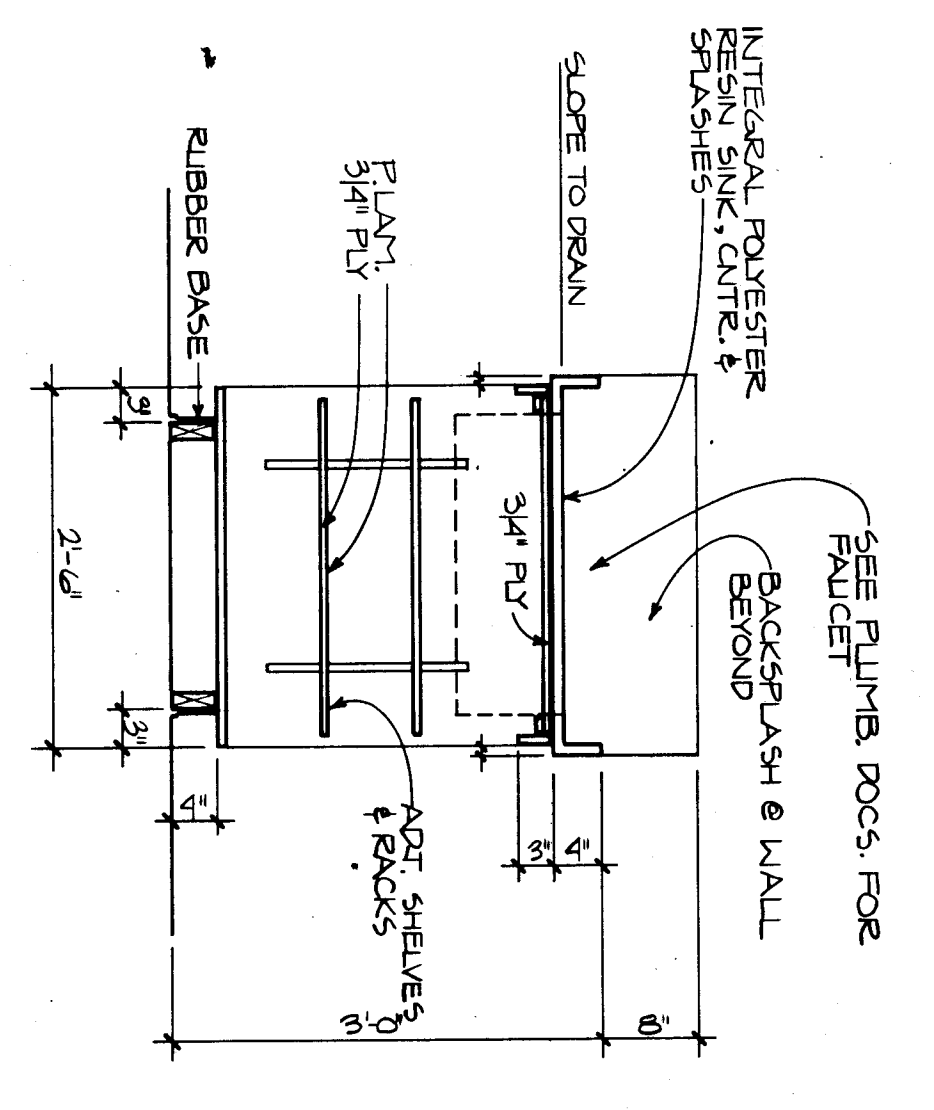
13 Display Cabinet



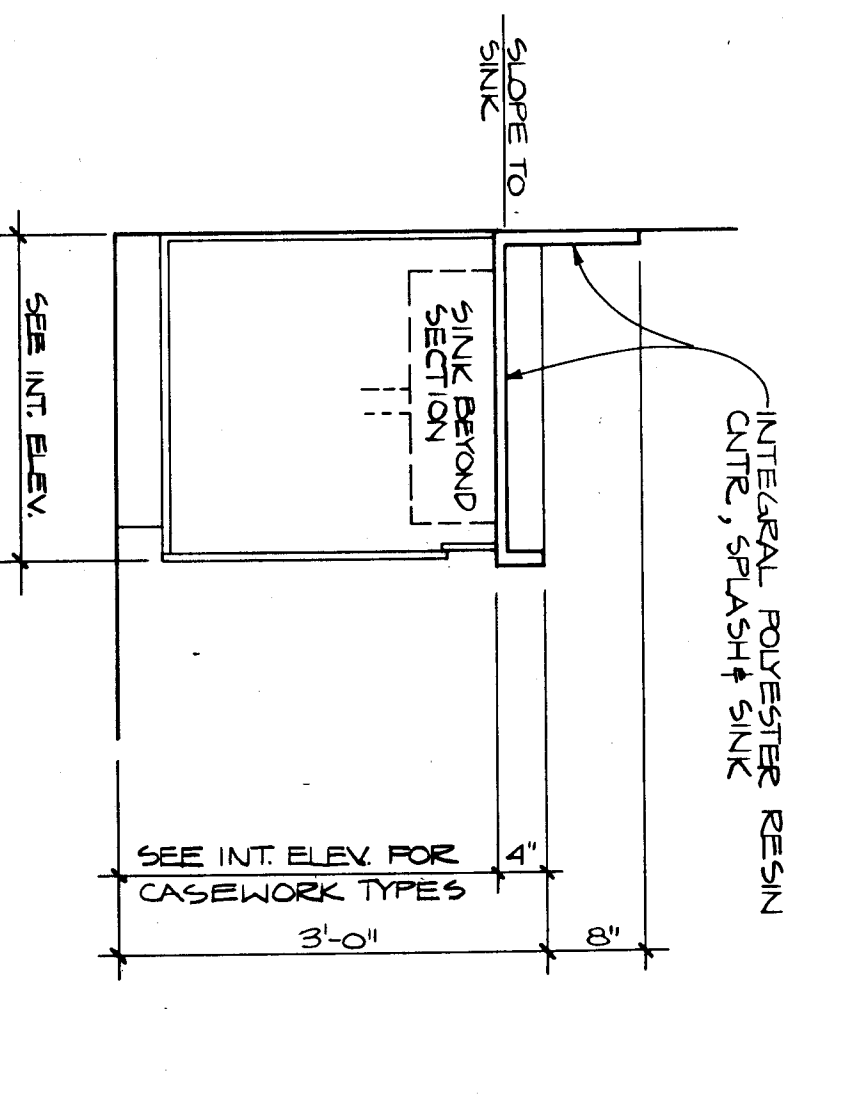
14 Folding Partition



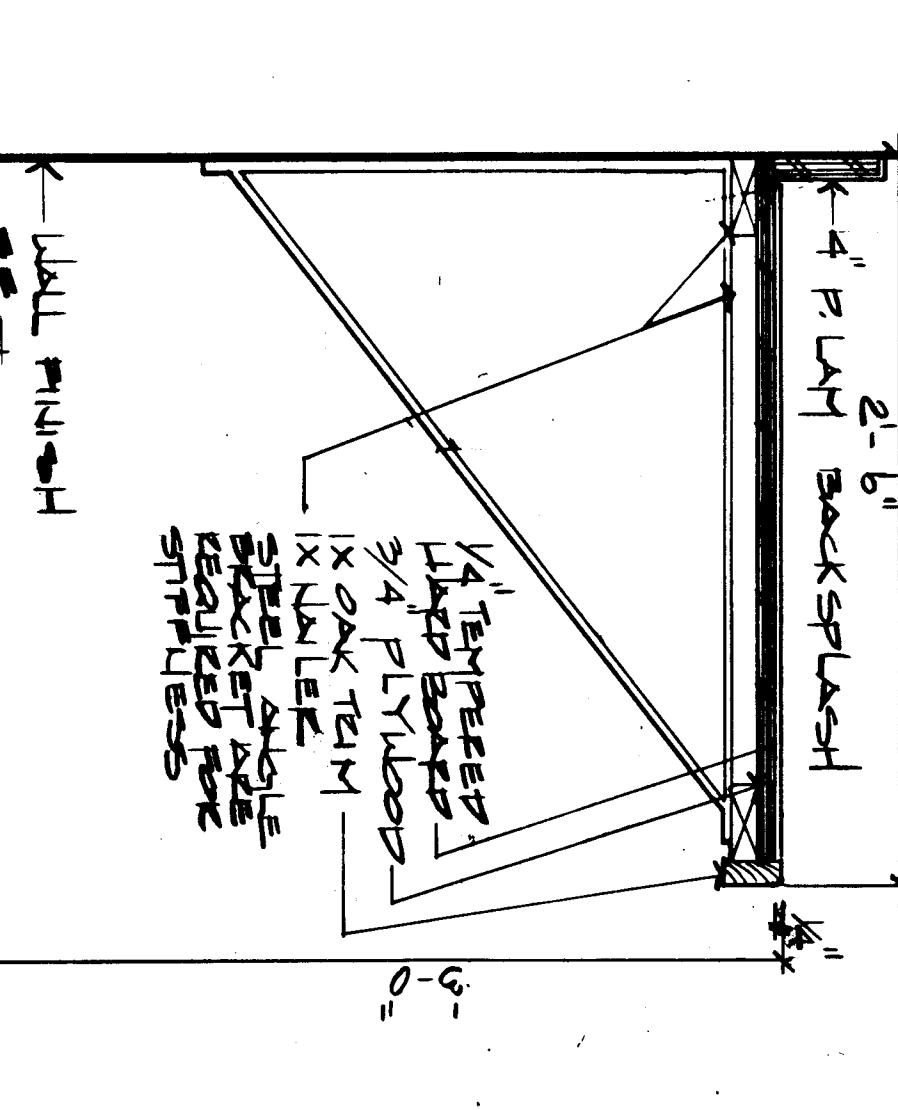
16 Enlarger Station



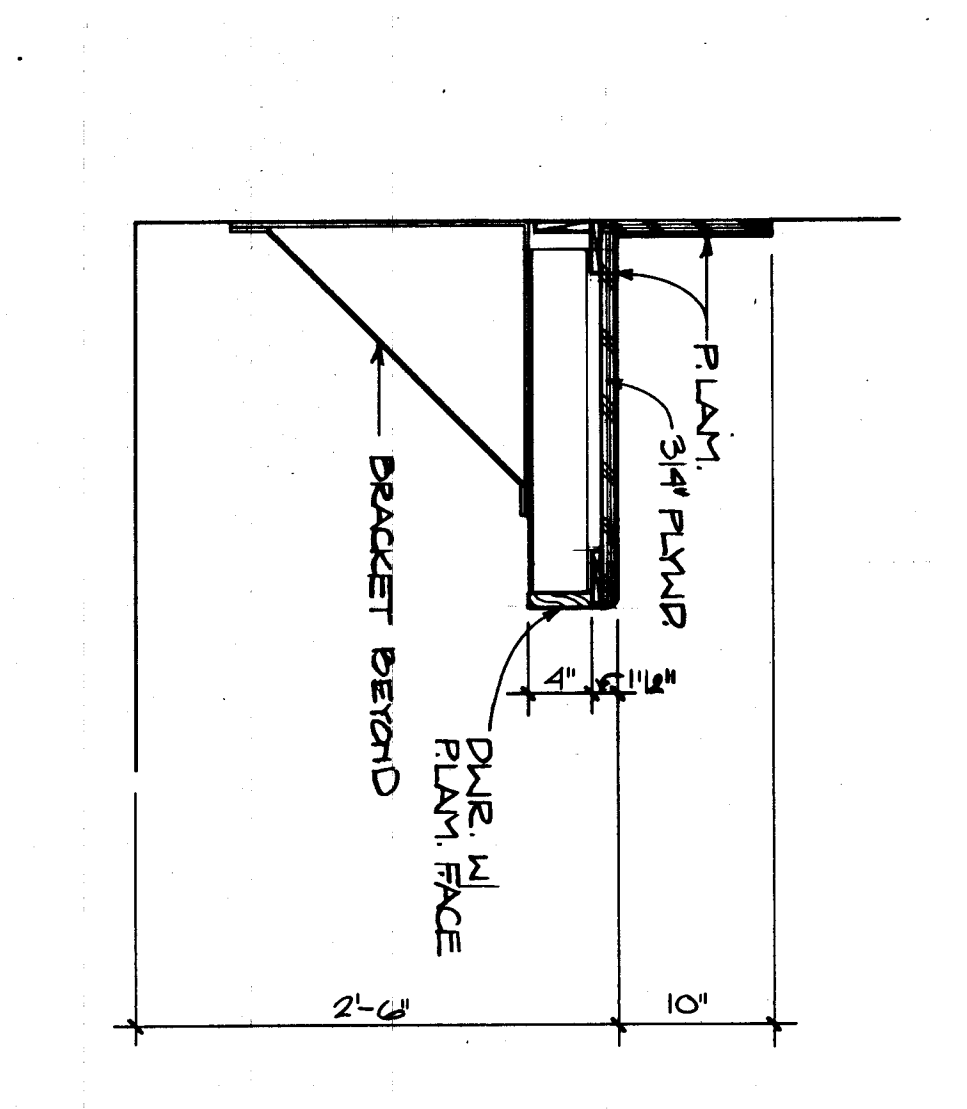
17 Developer Sink



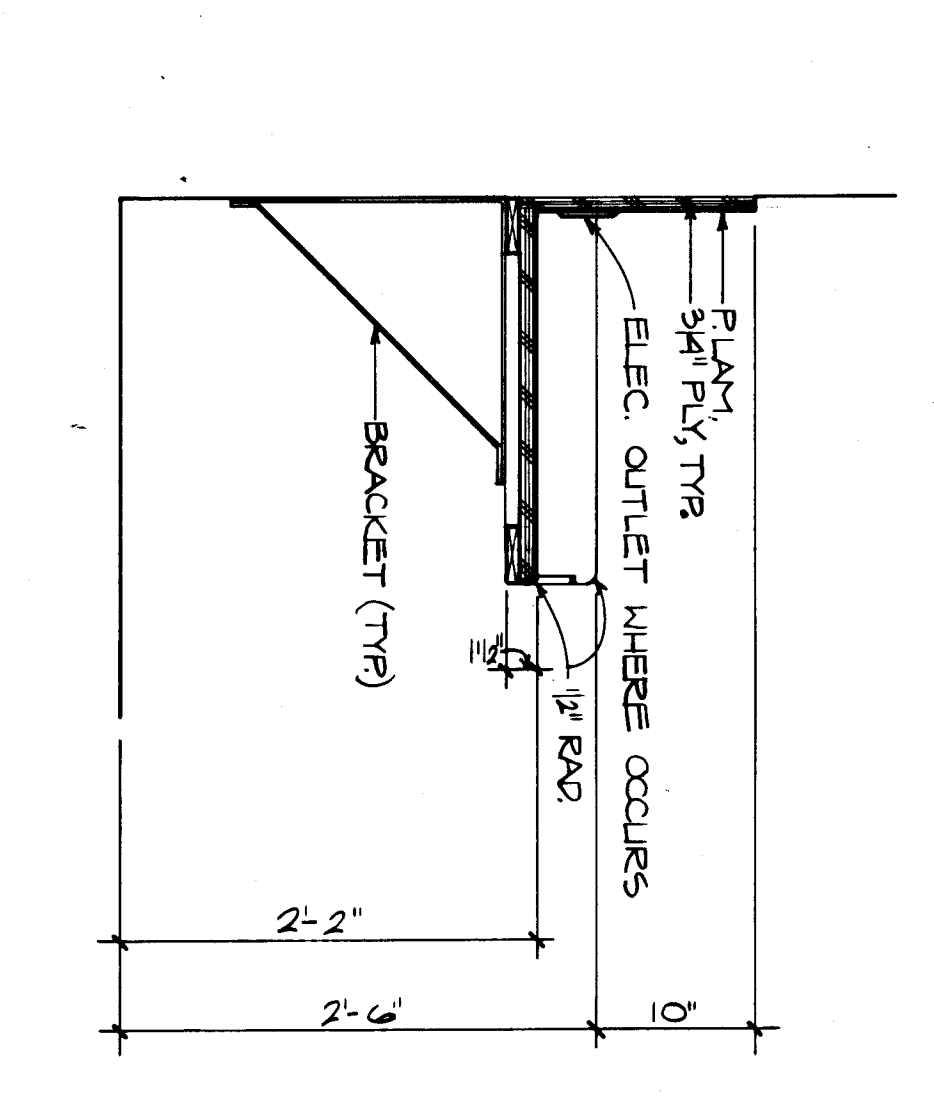
18 Chemical Mixing Sink



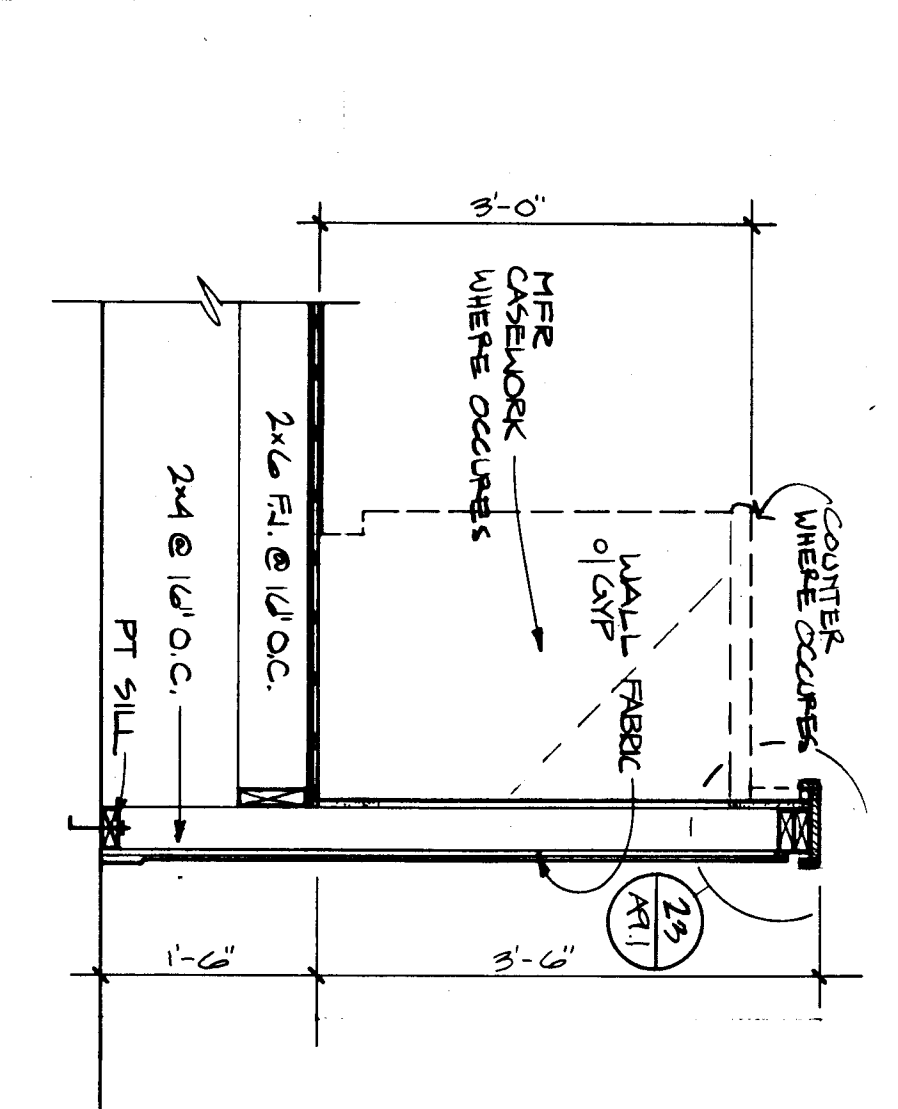
23 Library Counter



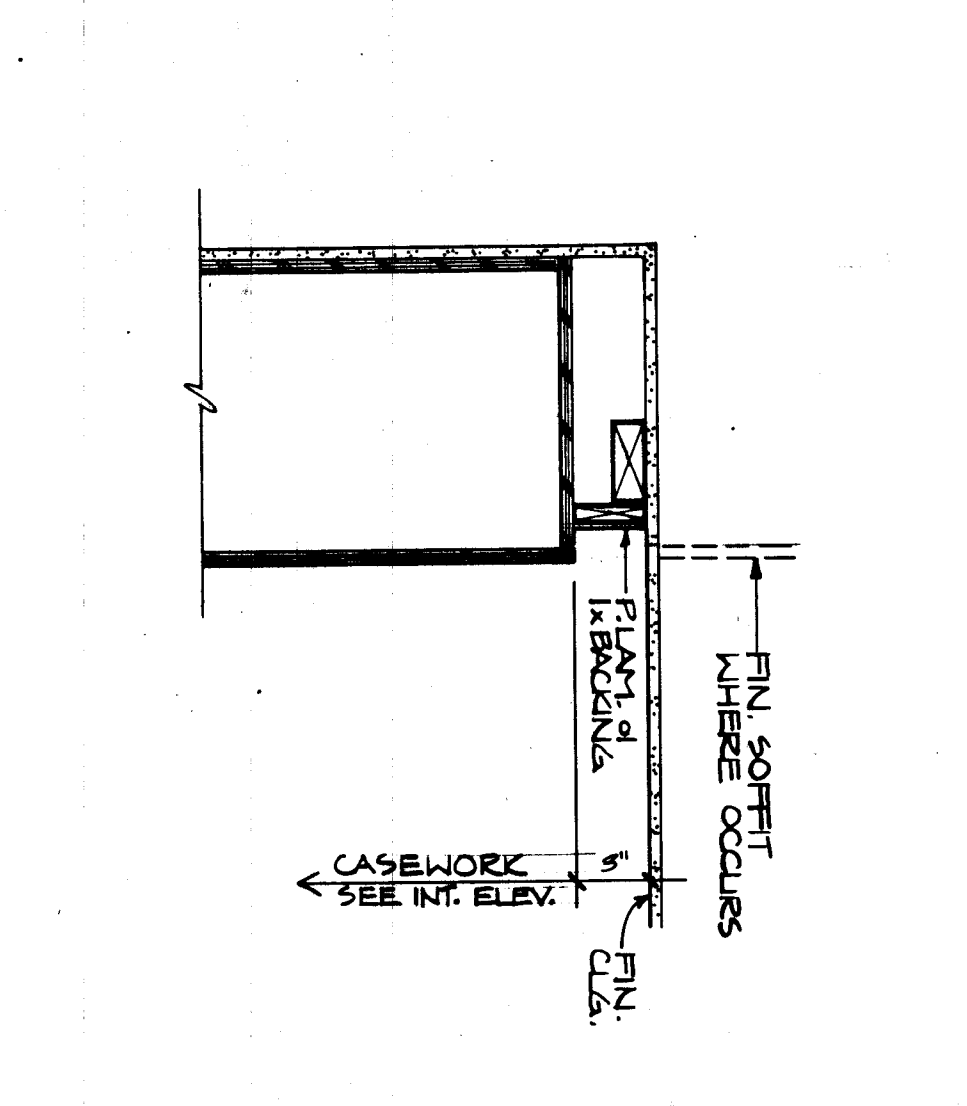
21 Workroom Counter



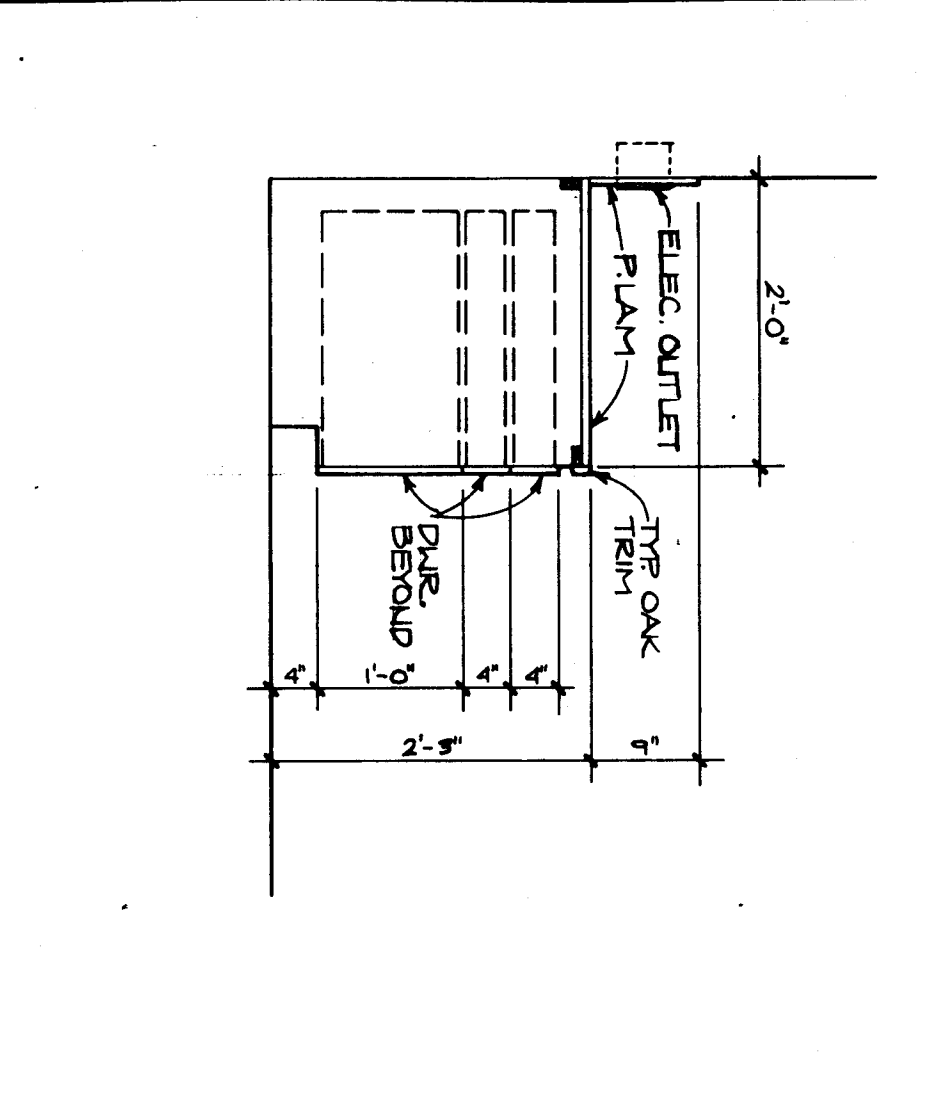
26 Library Typing Station



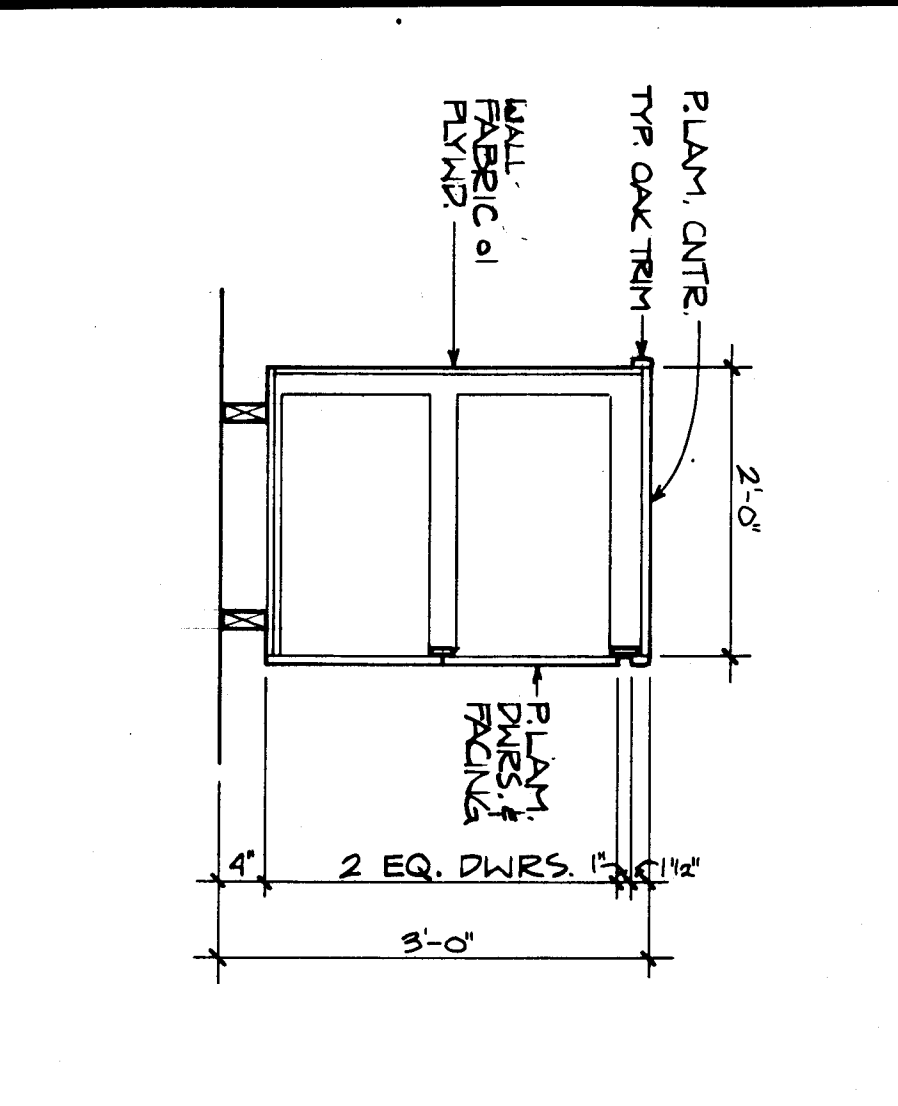
24 Library Counter



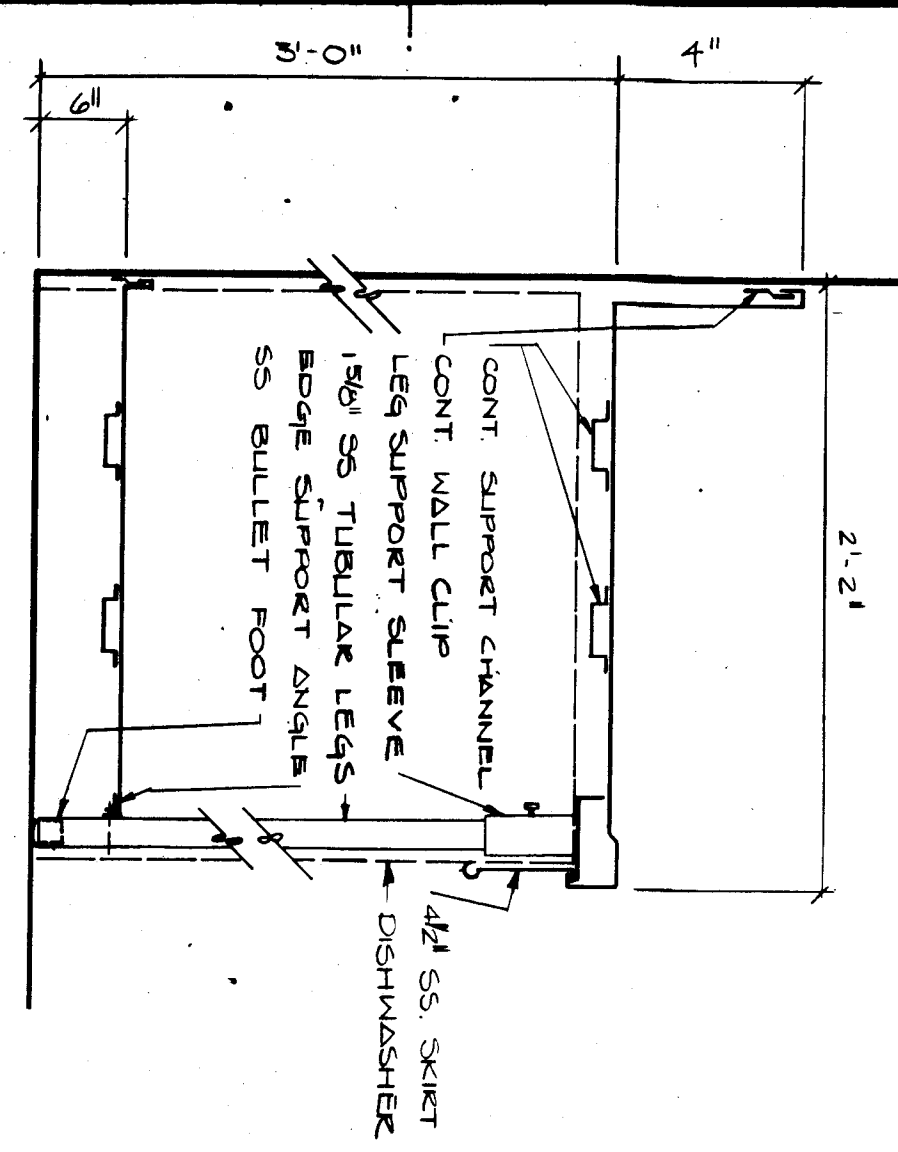
25 Ceiling Reveal



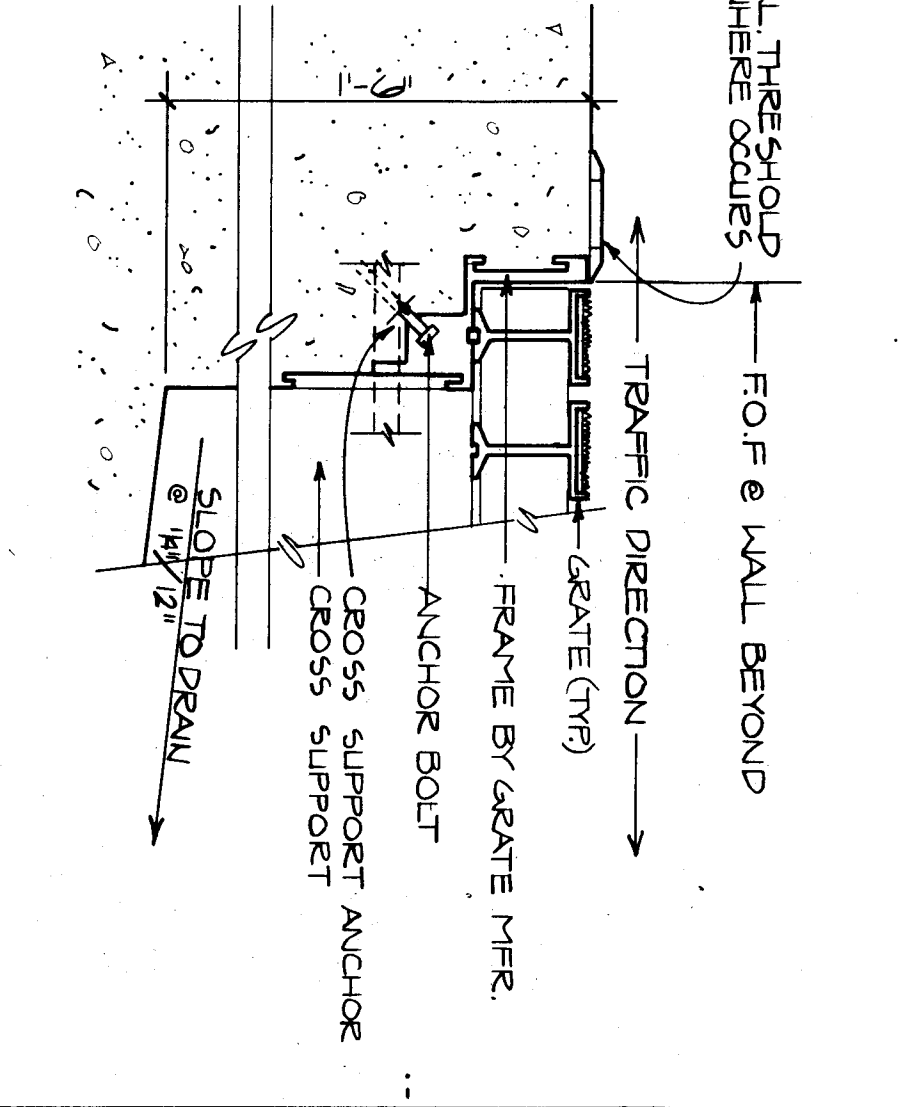
22 Workroom Typing Station



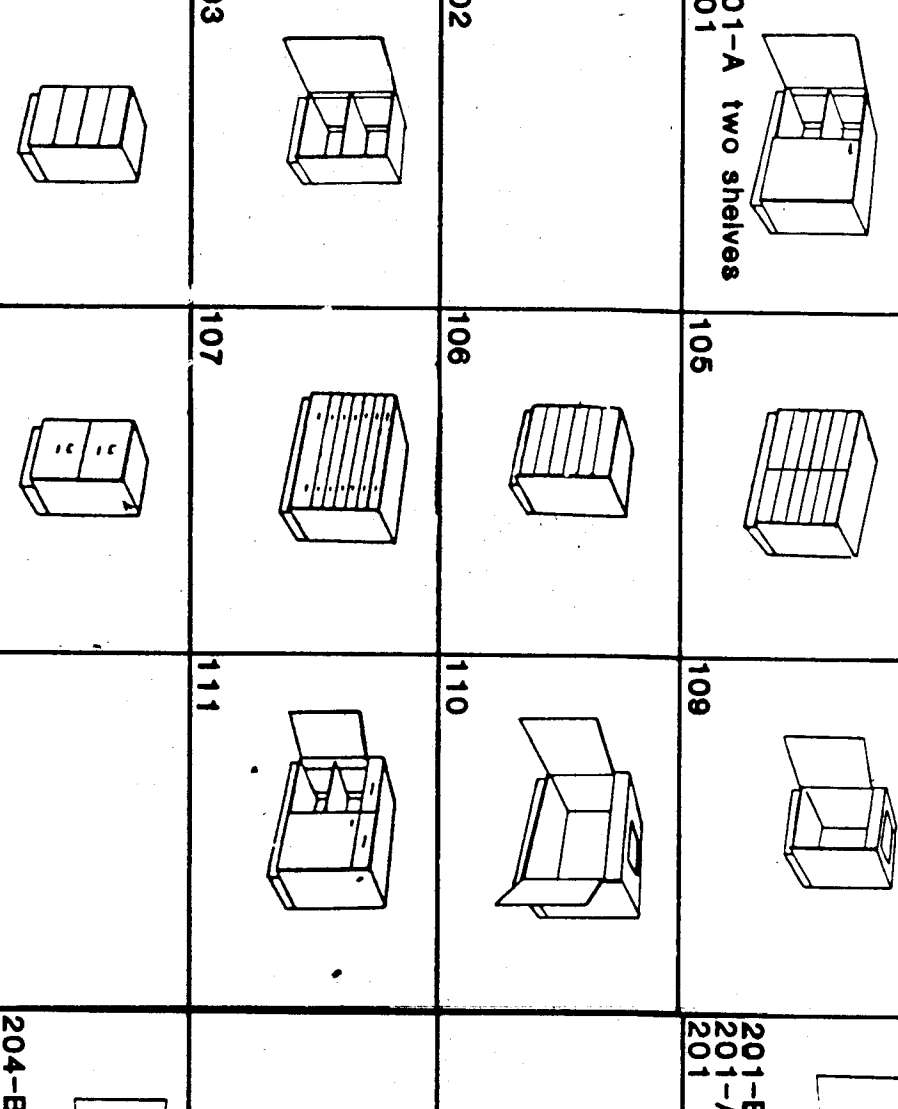
27 Circulation Counter



5 Kitchen Counter



10 Entry Gate



15 Standard Casework Schedule

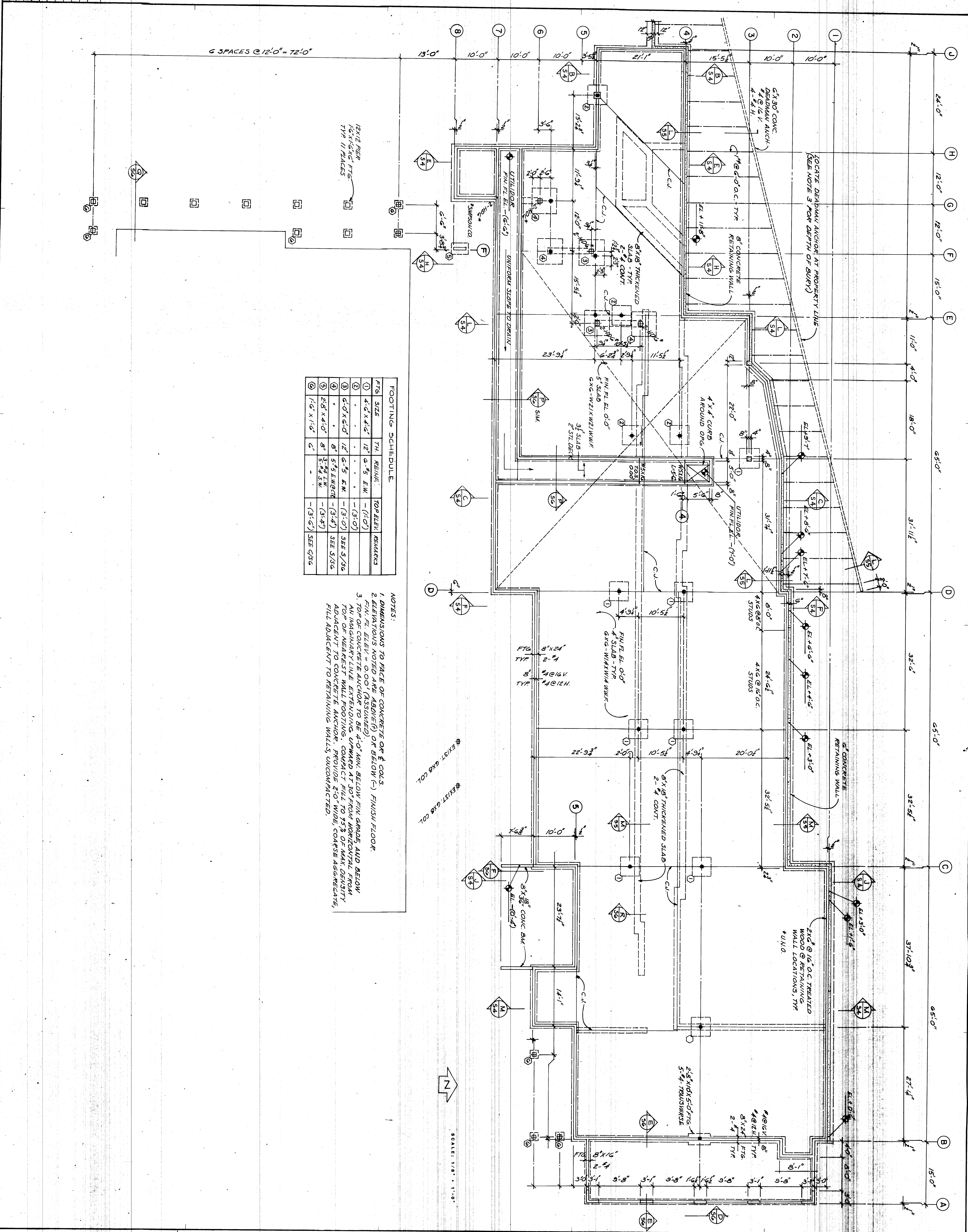
NOTE: Match exposed casework sides and knee space with adjacent. Base material as shown on finish schedule. Finish exposed side panels of casework where they occur with plastic laminate to match casework fronts.

28 Circulation Counter



Jackley Jensen architects inc  
P.O. box 310, Jensen, Alaska, 99505

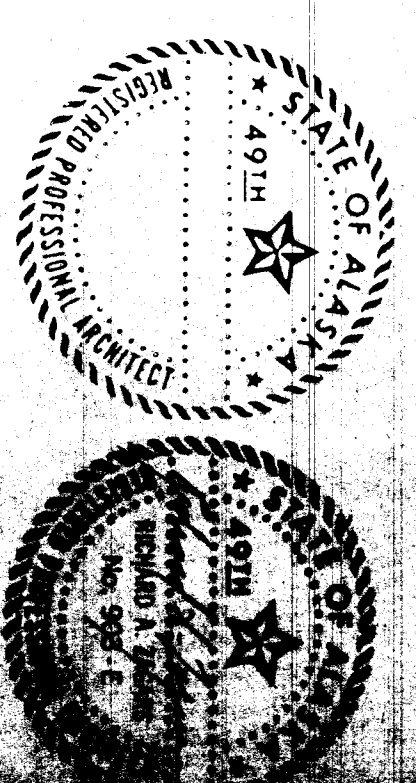
WRANGELL  
HIGH SCHOOL  
JOB NO.: 349  
DRAWN BY:  
TITLE:  
Casework,  
Miscellaneous Interior  
Details  
3/4" = 1'-0" U.O.N.  
SHEET NO.:  
A9.1  
DATE: June 15, 1984

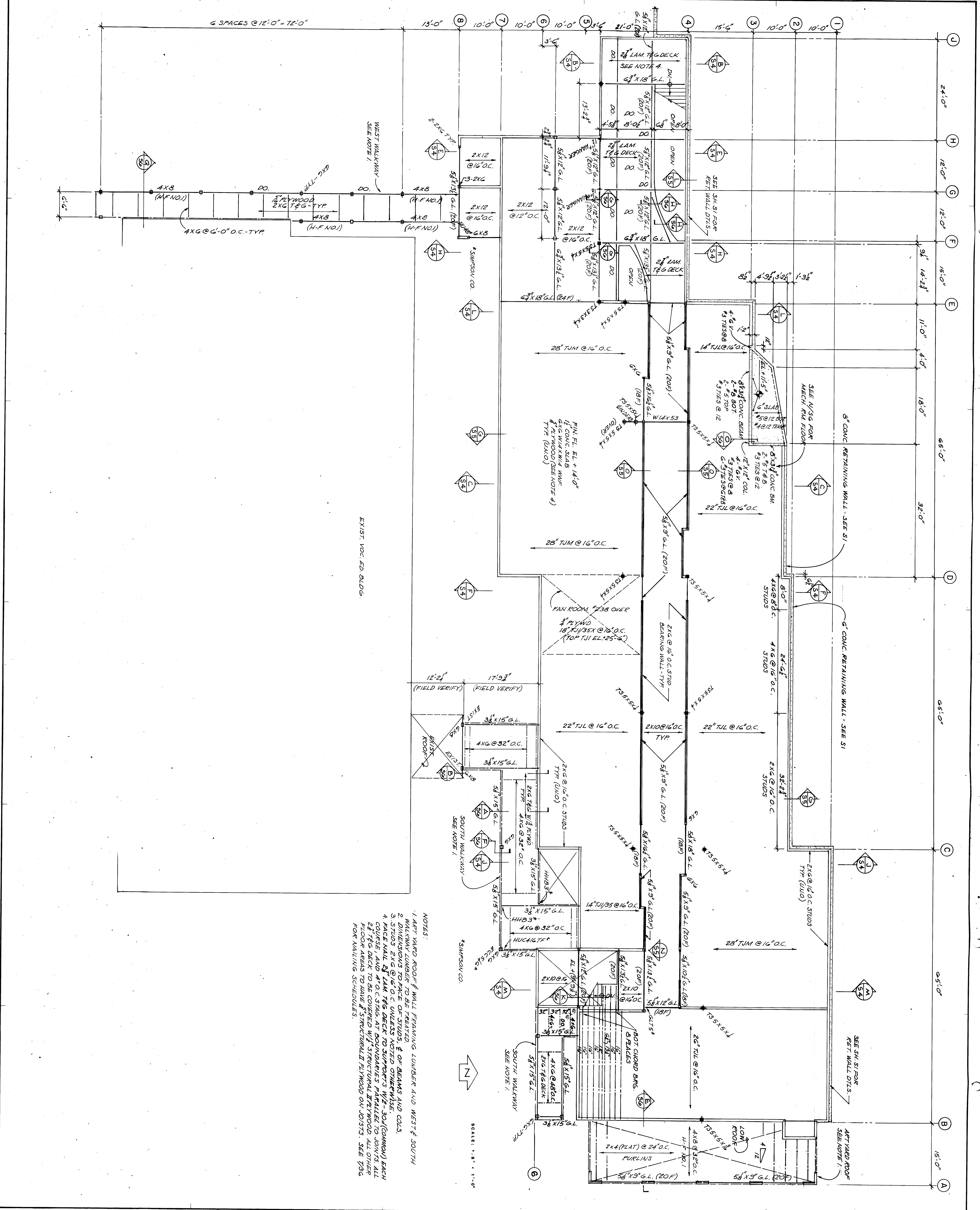


FOOTING SCHEDULE

FTG. SIZE	TH.	REINFC.	TOP ELEV.	REMARKS
① 4'-6" X 4'-6"	12"	6-#5 E.W.	-(1'-0")	
② 4'-0" X 4'-0"	12"	6-#5 E.W.	-(3'-0")	SEE S/3G
③ 4'-0" X 4'-0"	12"	6-#5 E.W.	-(3'-0")	SEE S/3G
④ 2'-6" X 4'-0"	8"	3-#4 S.W.	-(3'-4")	SEE S/3G
⑤ 1'-6" X 1'-6"	6"	-	-(3'-6")	SEE S/3G

- NOTES:
1. DIMENSIONS TO FACE OF CONCRETE OR 6 COALS.
  2. ELEVATIONS NOTED ARE ABOVE (A) OR BELOW (B) FINISH FLOOR.
  3. TOP OF CONCRETE AND REINFORCING SHALL BE 1'-0" MIN. BELOW FIN. GRADE AND BELOW ANY IMAGINARY LINE EXTENDING UPWARD AT 30° FROM VERTICAL ADJACENT TO CONCRETE ANCHORS. PROVIDE 2'-0" WIDE, COARSE AGGREGATE, FILL ADJACENT TO RETAINING WALLS UNCOMPACTED.





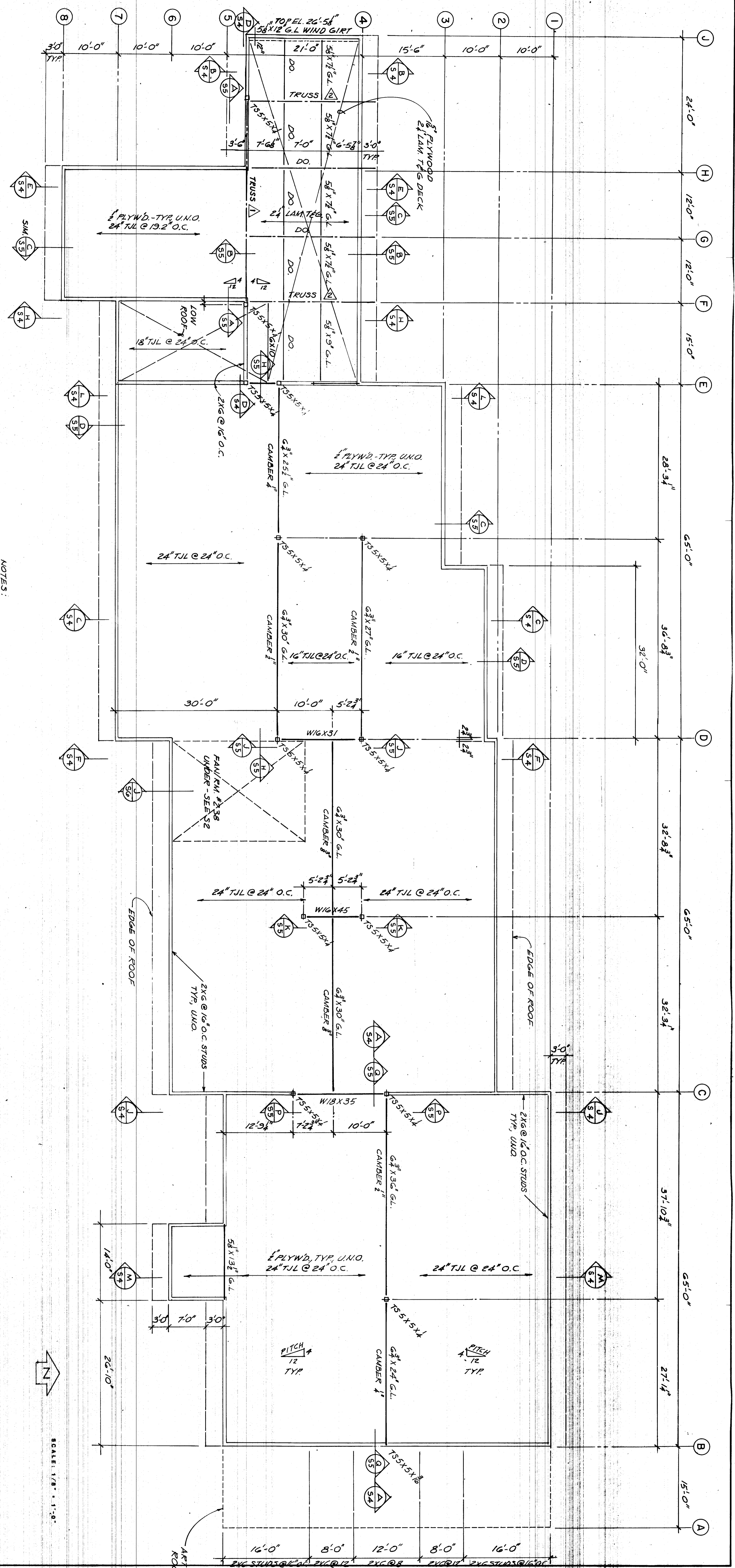
- NOTES:
1. APT. YARD ROOF & WALL FRAMING LUMBER AND WEST & SOUTH WALL FRAMING LUMBER TO BE TREATED.
  2. DIMENSIONS TO FACE OF STUDS, & OF BEAMS AND COLS.
  3. STUDS 2X6 @ 16\"/>

SCALE: 1/8" = 1'-0"

JOB NO. : 348  
 DRAWN BY :  
 TITLE :  
**Second Floor Framing**  
 SHEET NO. :  
**S-2**  
 DATE : June 15, 1984

**WRANGELL HIGH SCHOOL**

**ackley jensen architects inc.**  
 P.O. BOX 310, JUNEAU, ALASKA, 99801

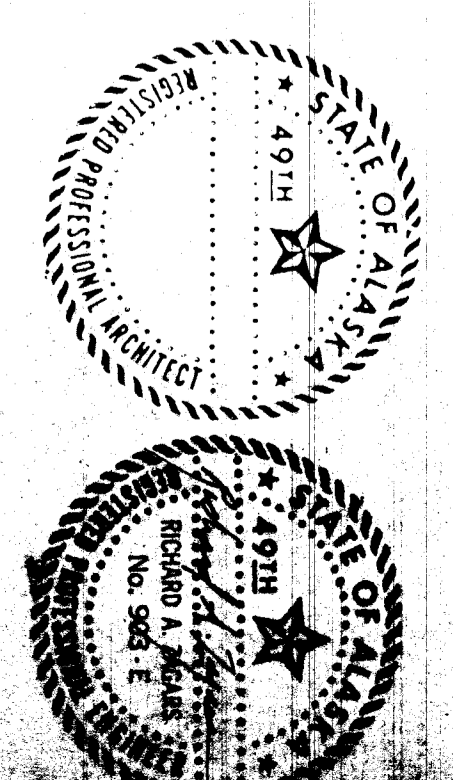


NOTES:  
1. DIMENSIONS TO FACE OF STUDS.  
2. STUDS 2x6 @ 16' O.C. UNLESS NOTED OTHERWISE.

SCALE: 1/8" = 1'-0"



**ackley  
Jensen  
architects inc.**



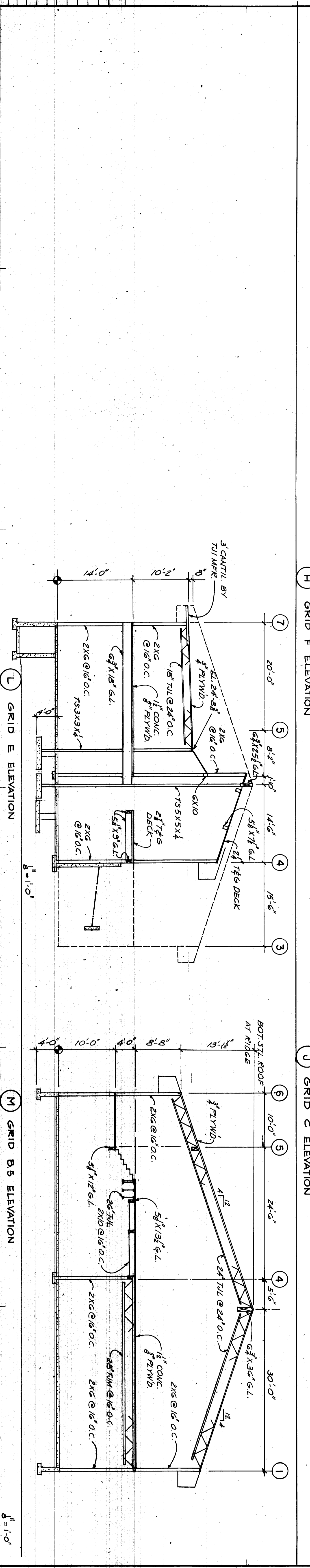
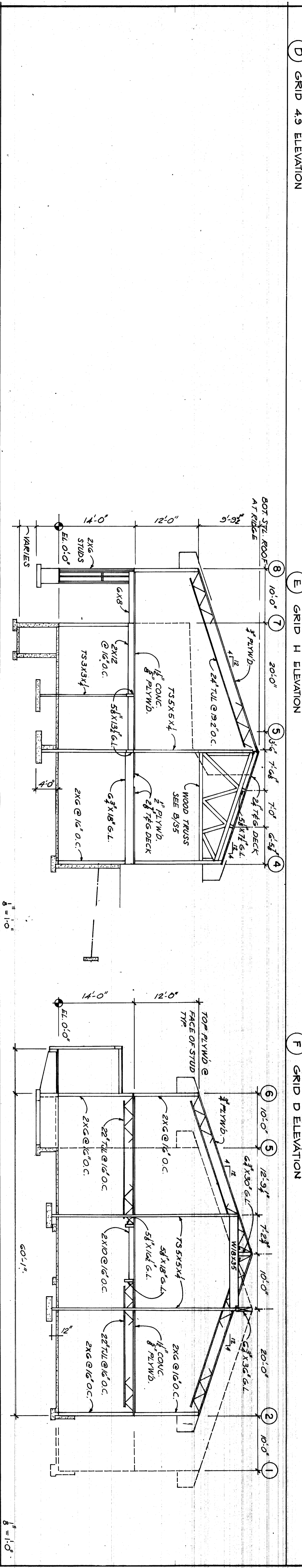
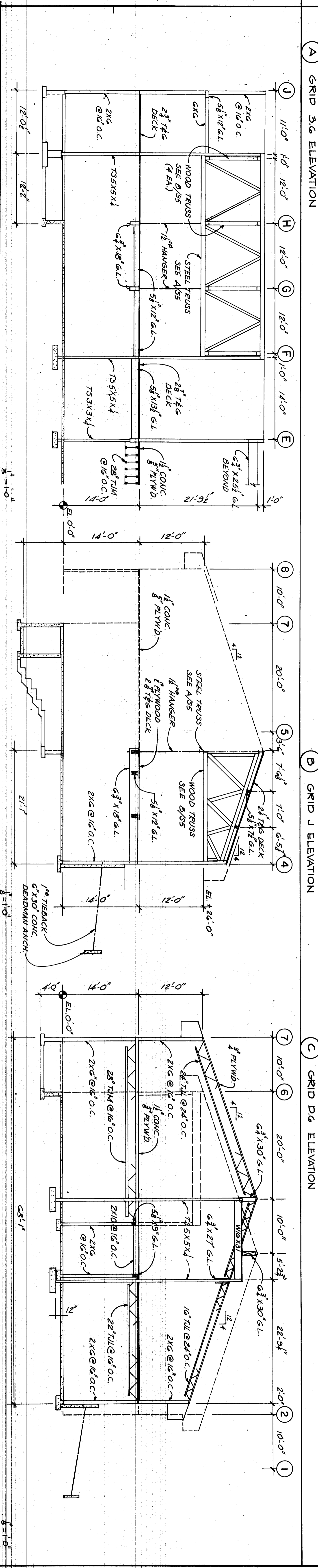
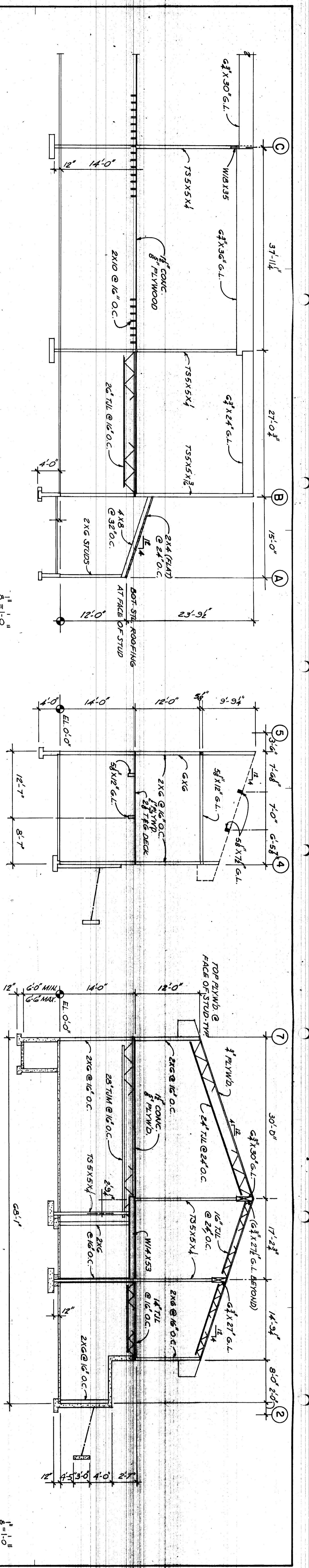
WRANGELL  
HIGH SCHOOL

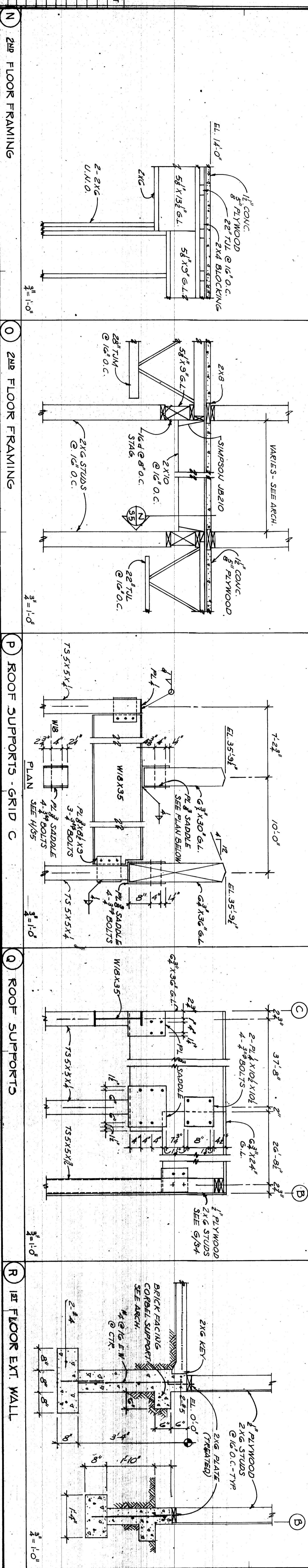
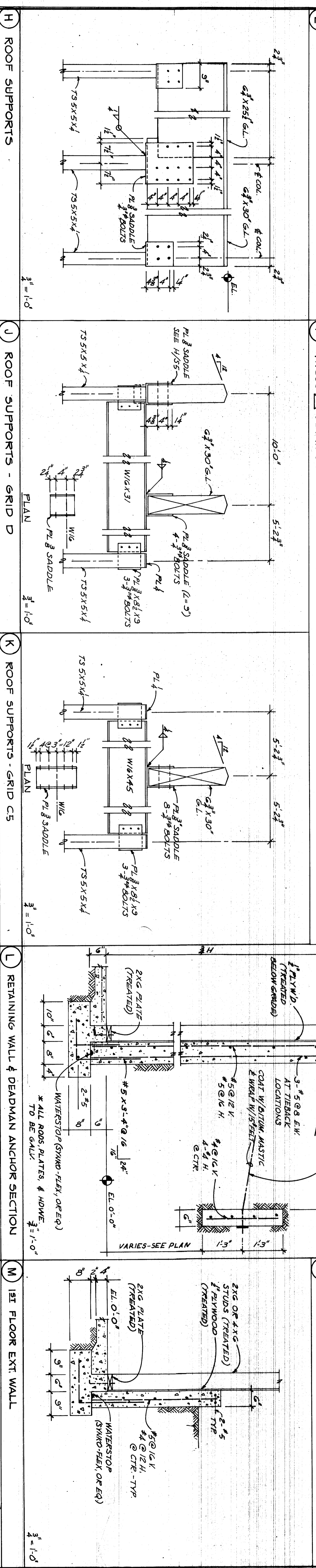
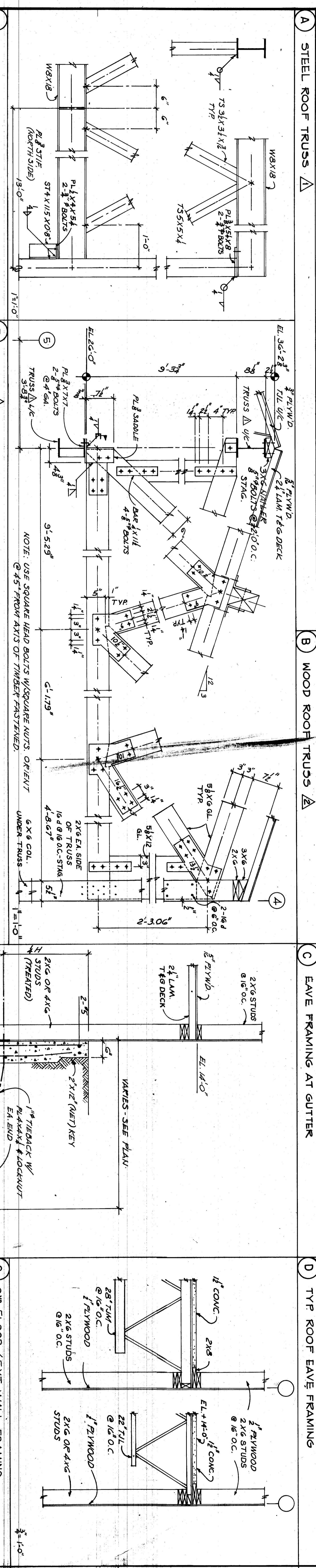
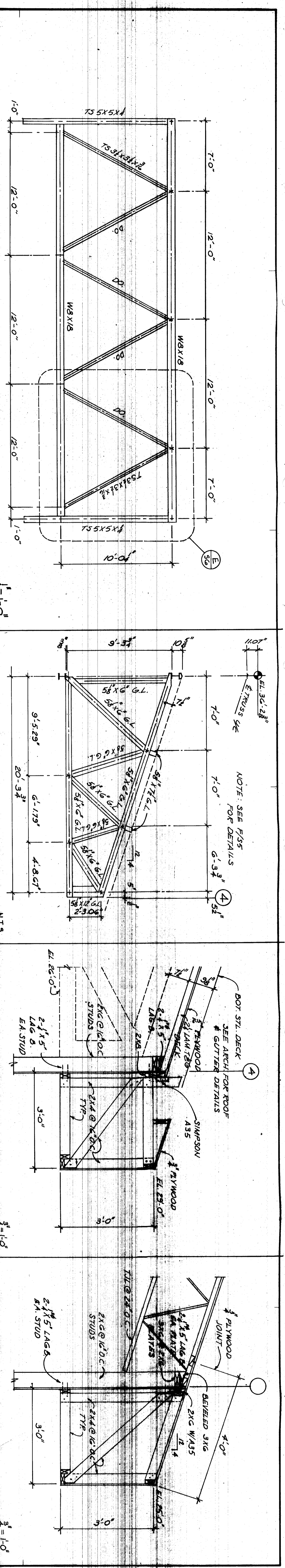
JOB NO. 349  
DRAWN BY:  
TITLE:  
**Roof Framing**

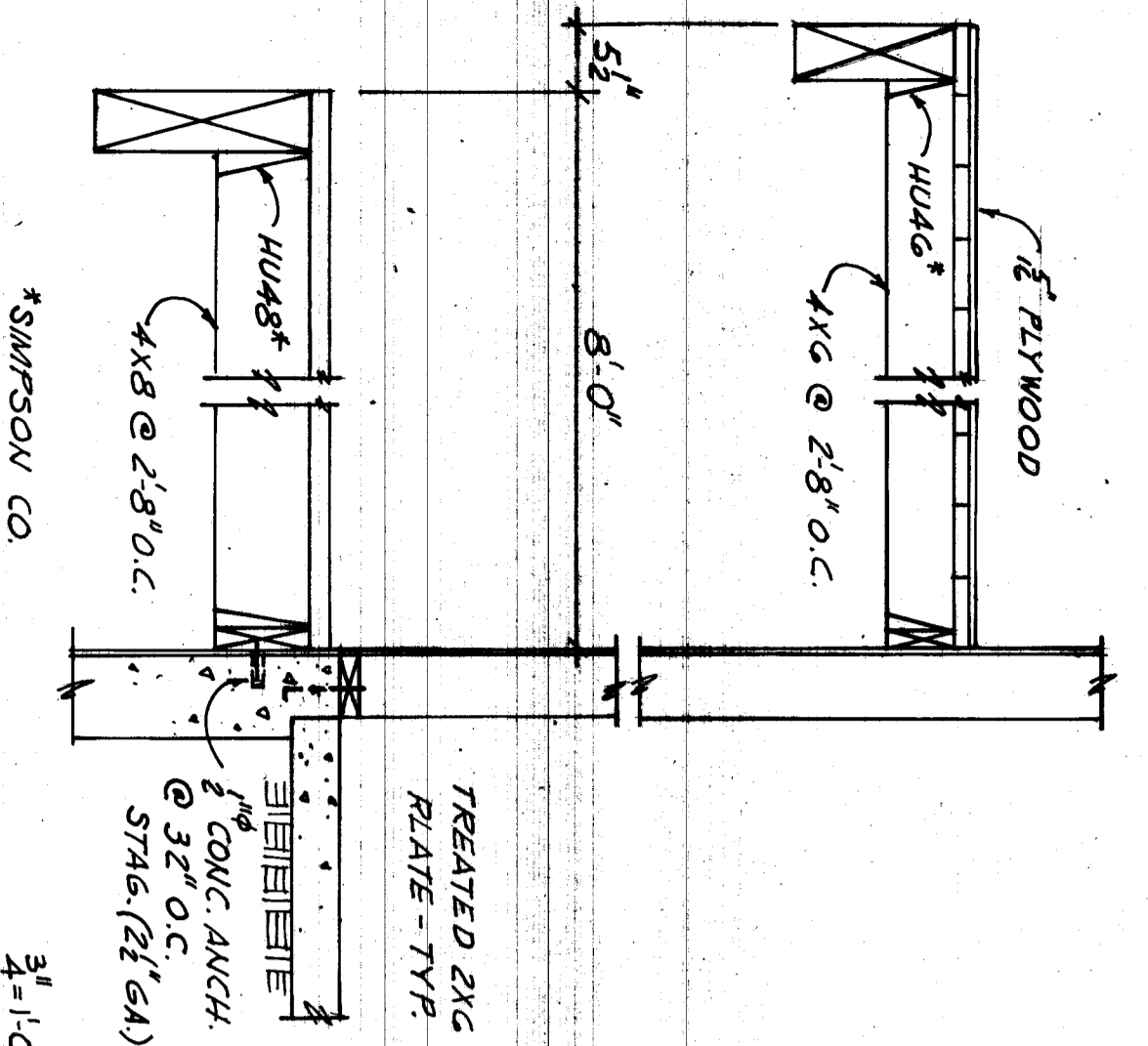
SHEET NO.:  
**S-3**

DATE: June 15, 1984

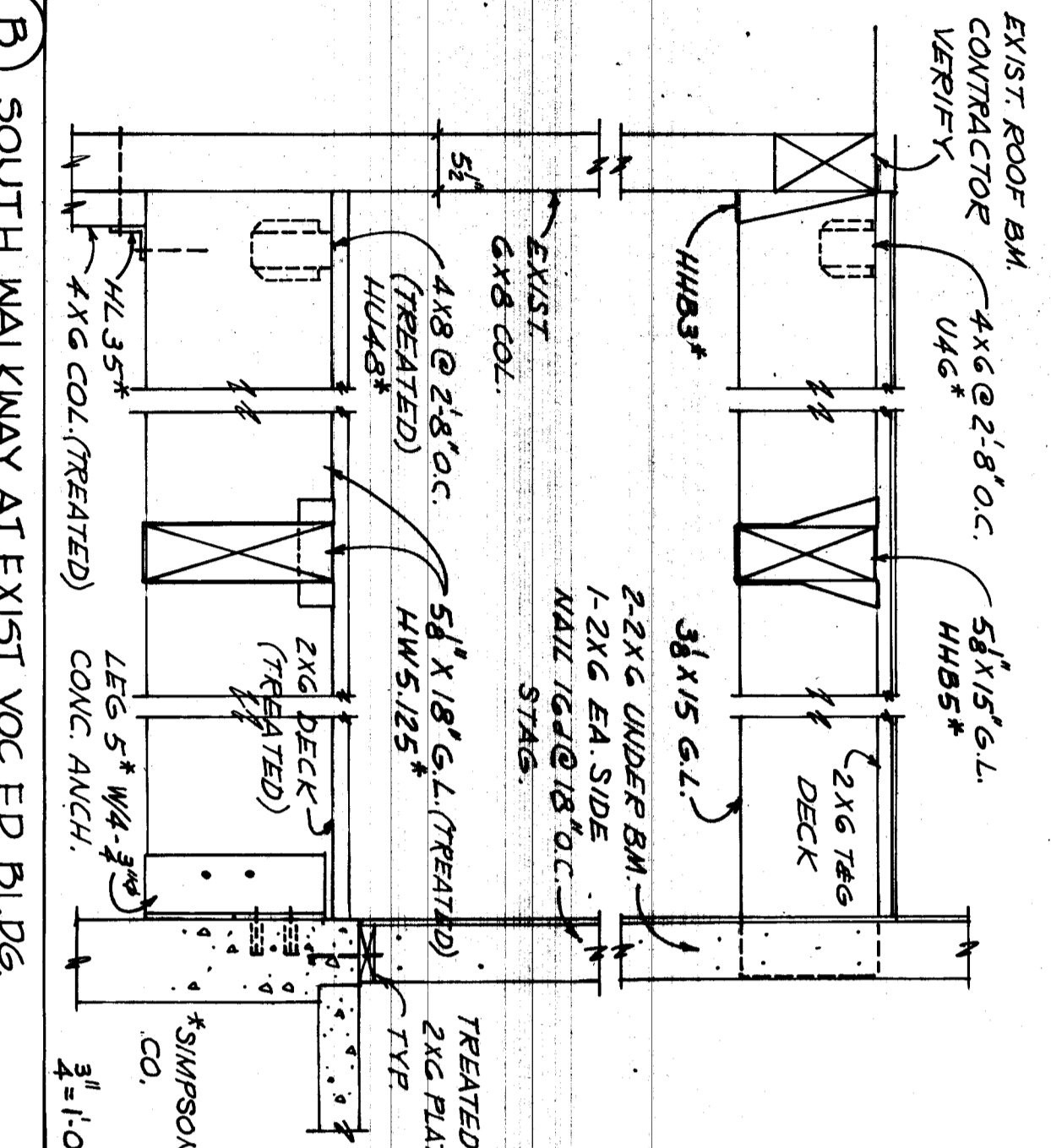




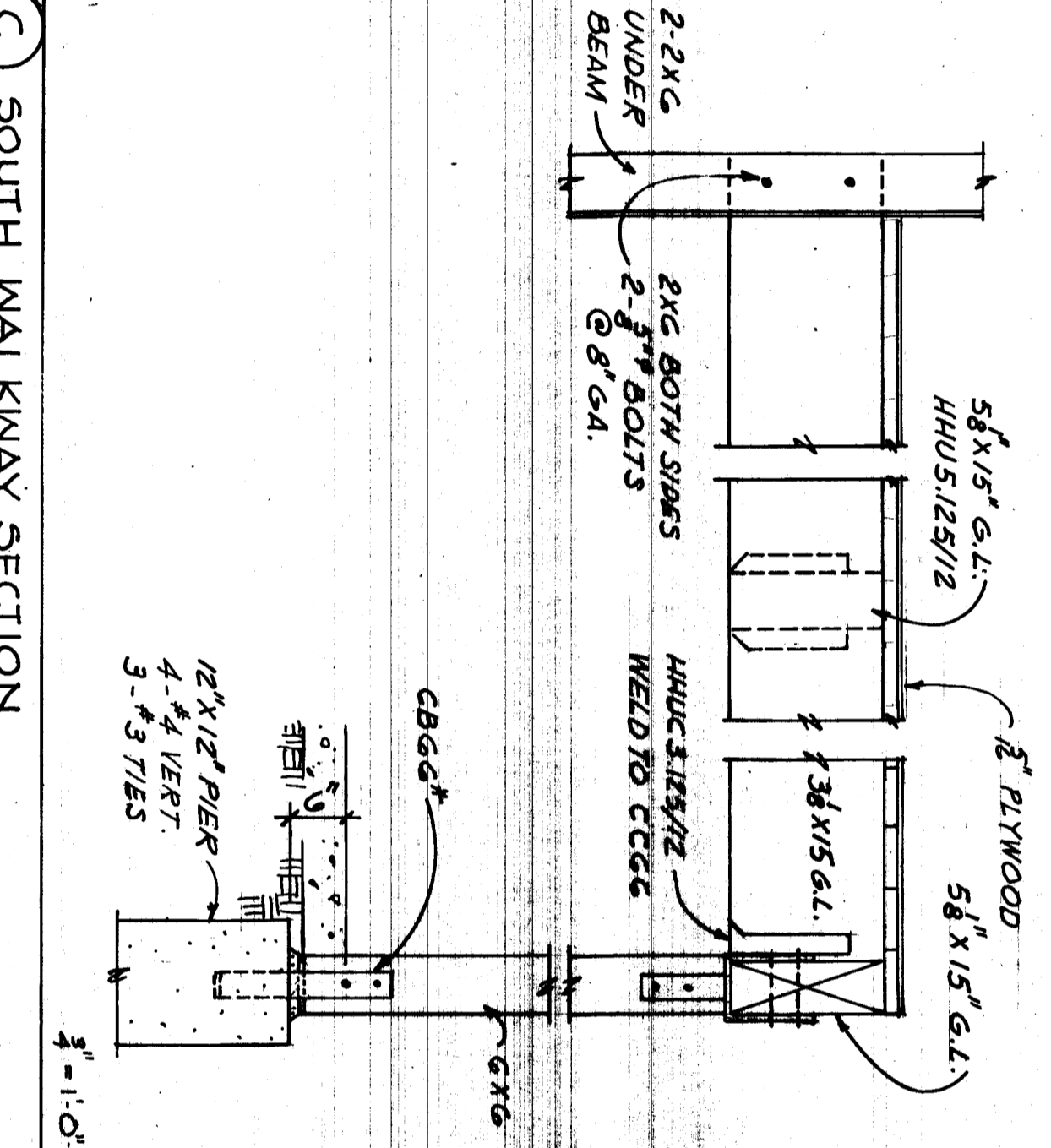




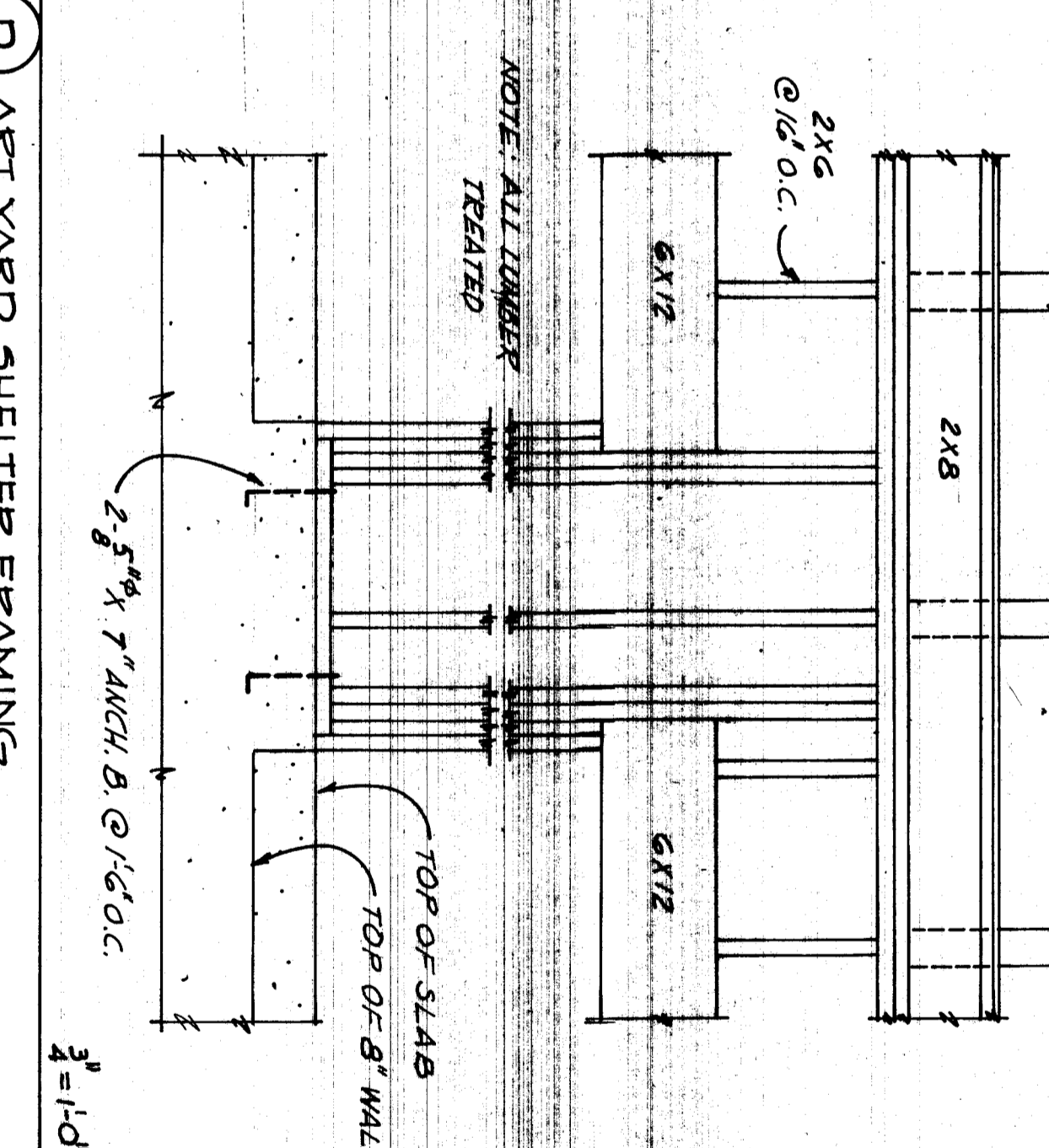
A SOUTH WALKWAY SECTION



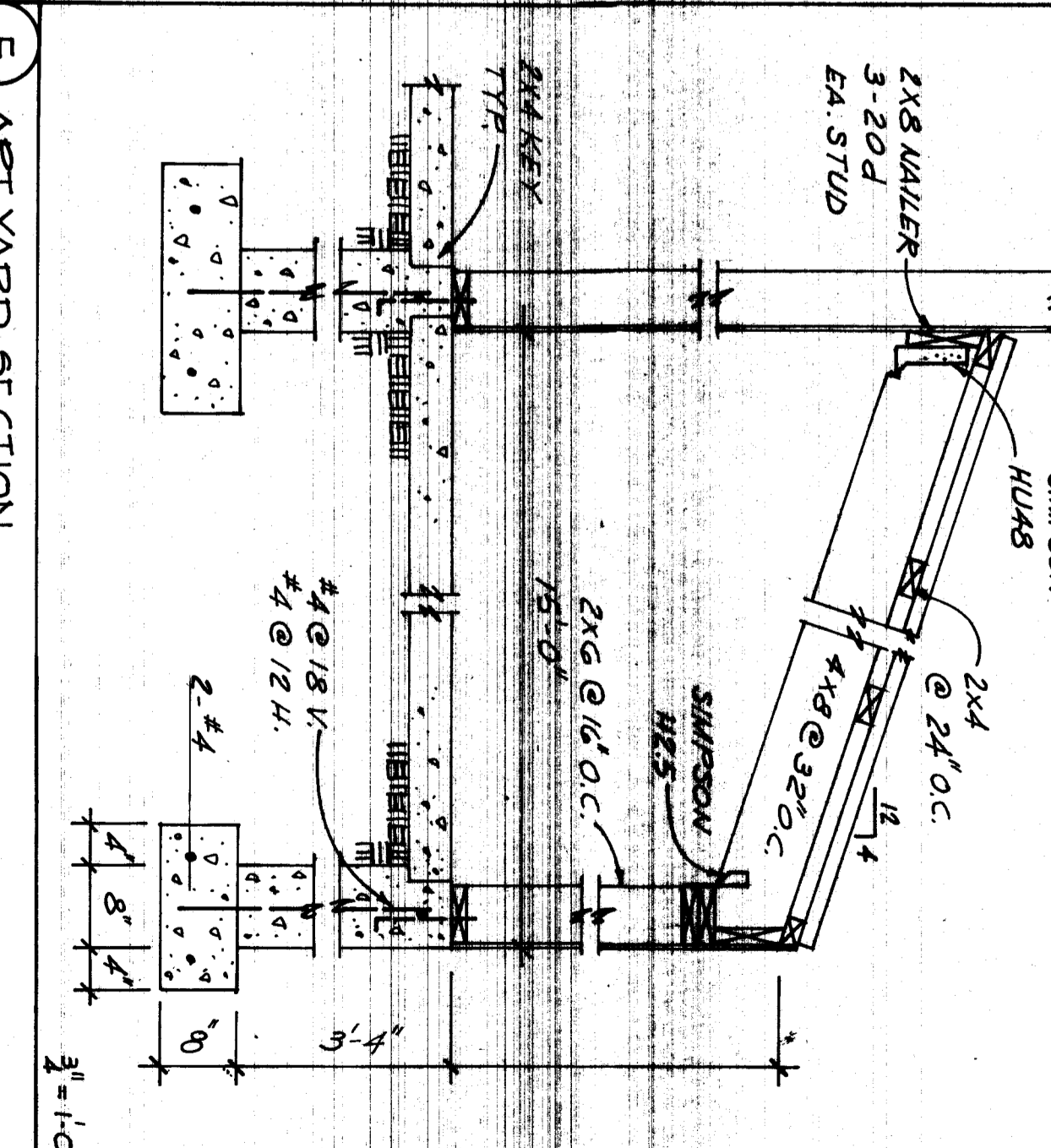
B SOUTH WALKWAY AT EXIST. VOC ED BLDG.



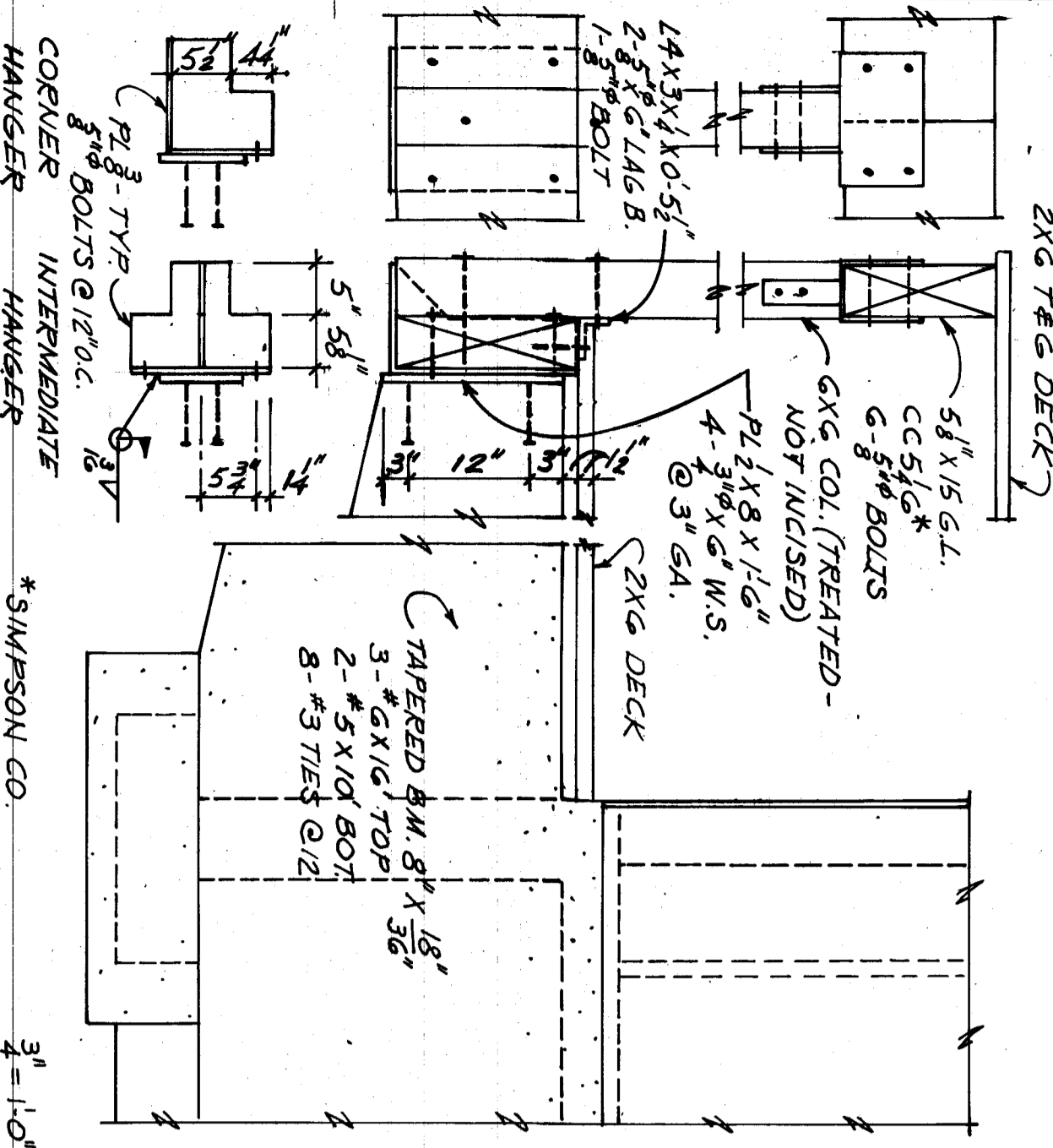
C SOUTH WALKWAY SECTION



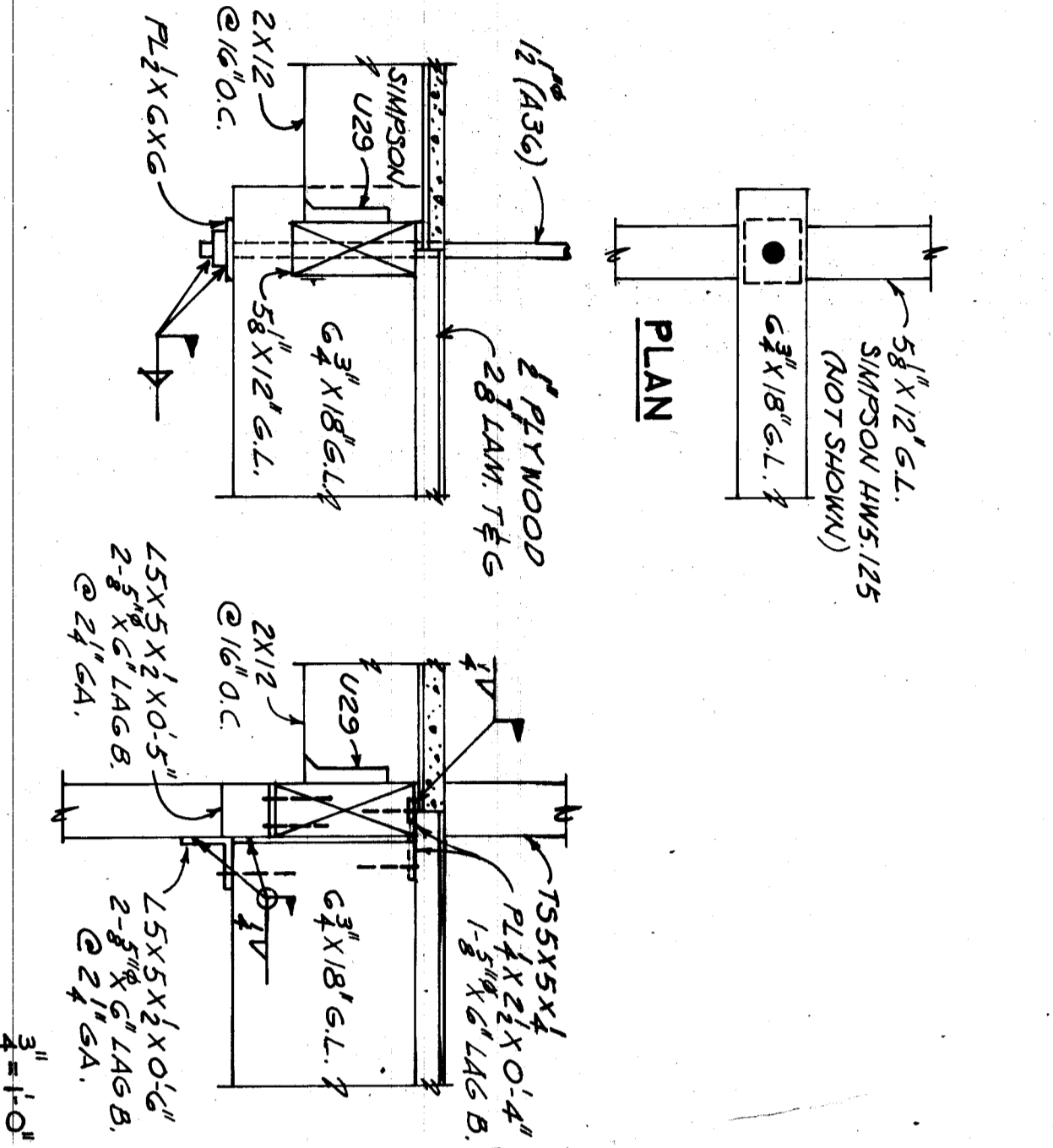
D ART YARD SHELTER FRAMING



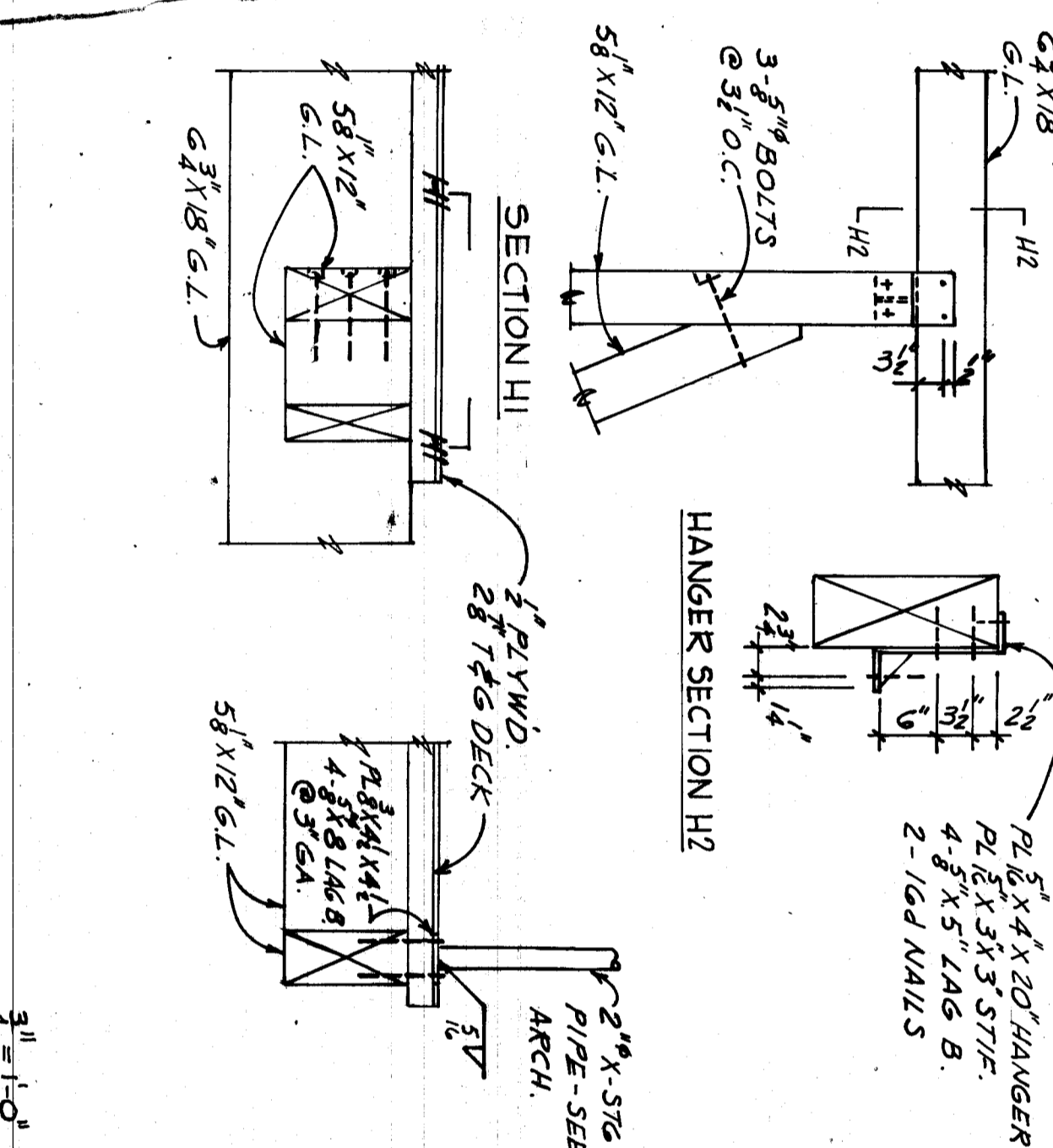
E ART YARD SECTION



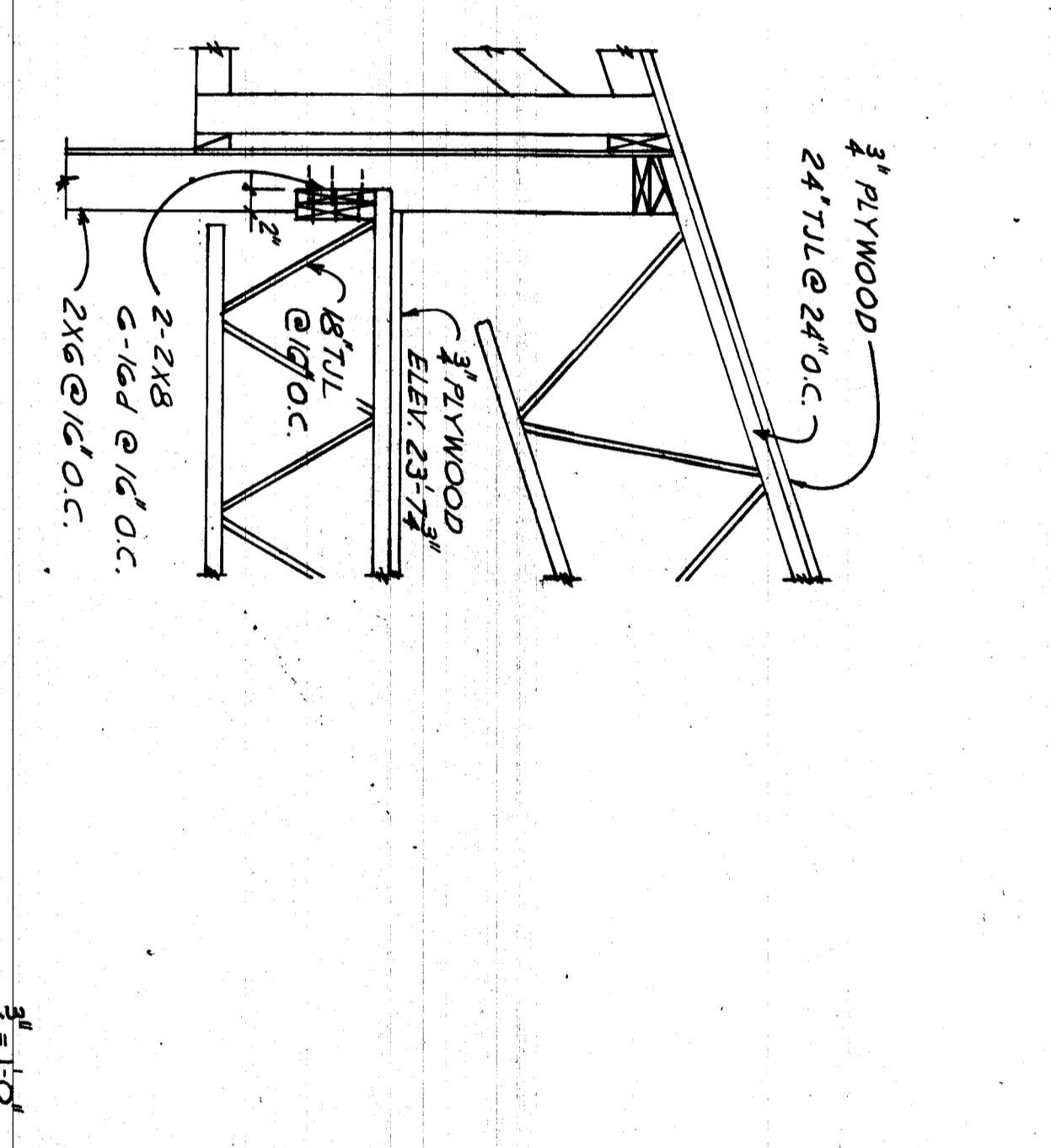
F SOUTH WALKWAY DETAILS



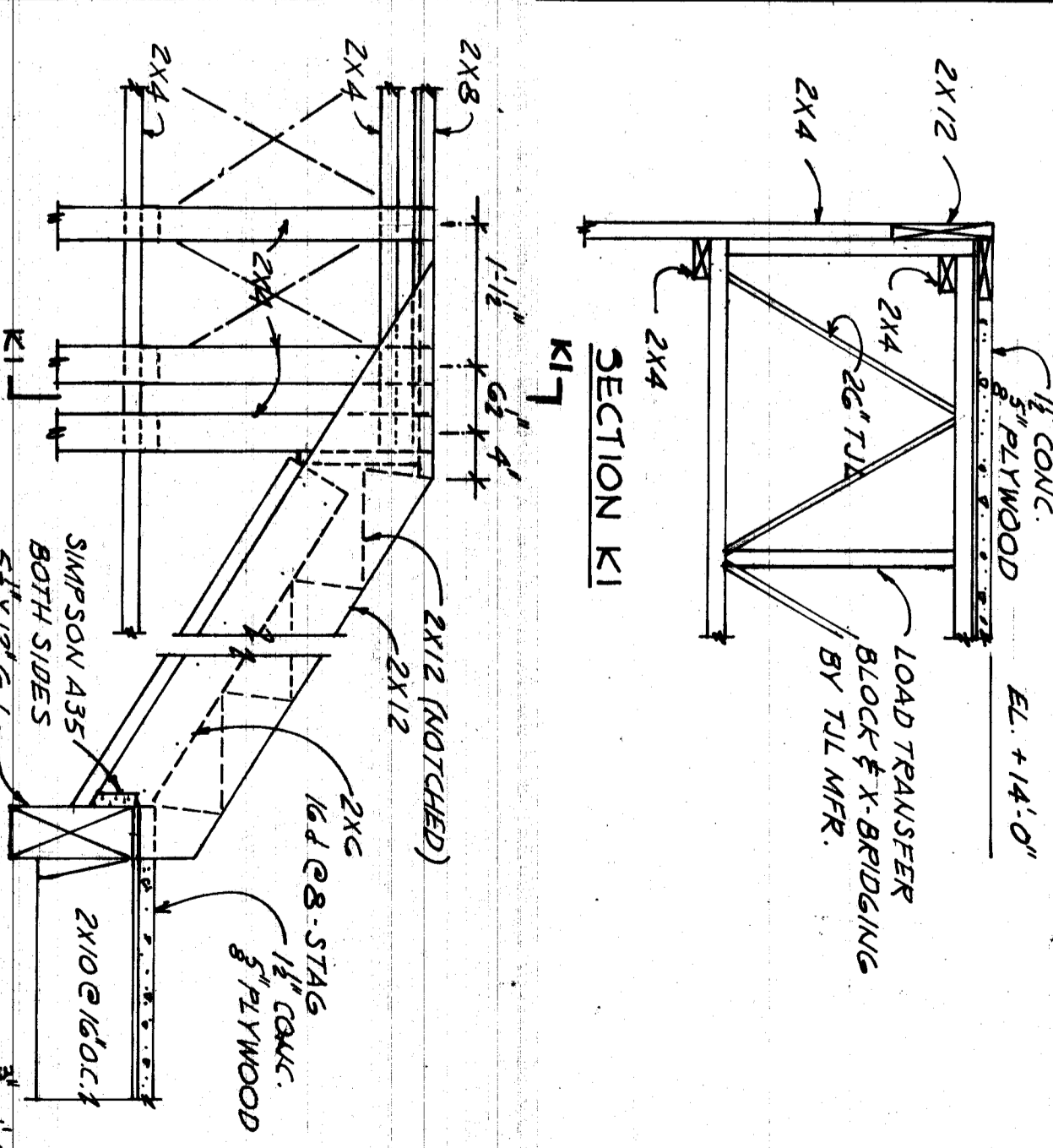
G 2ND FL. HANGER & CONN. DTLS.



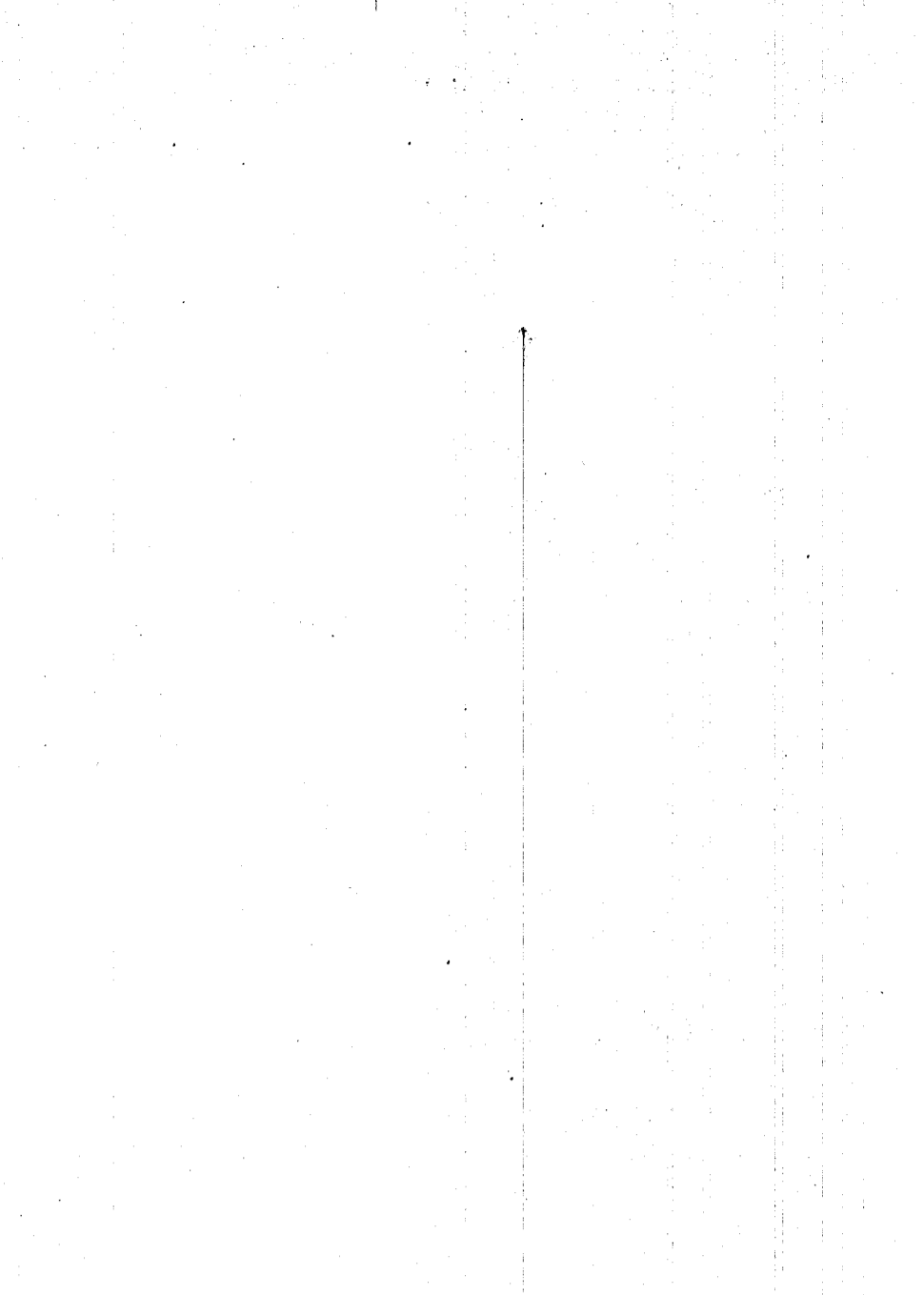
H 2ND FL. WALKWAY DETAILS



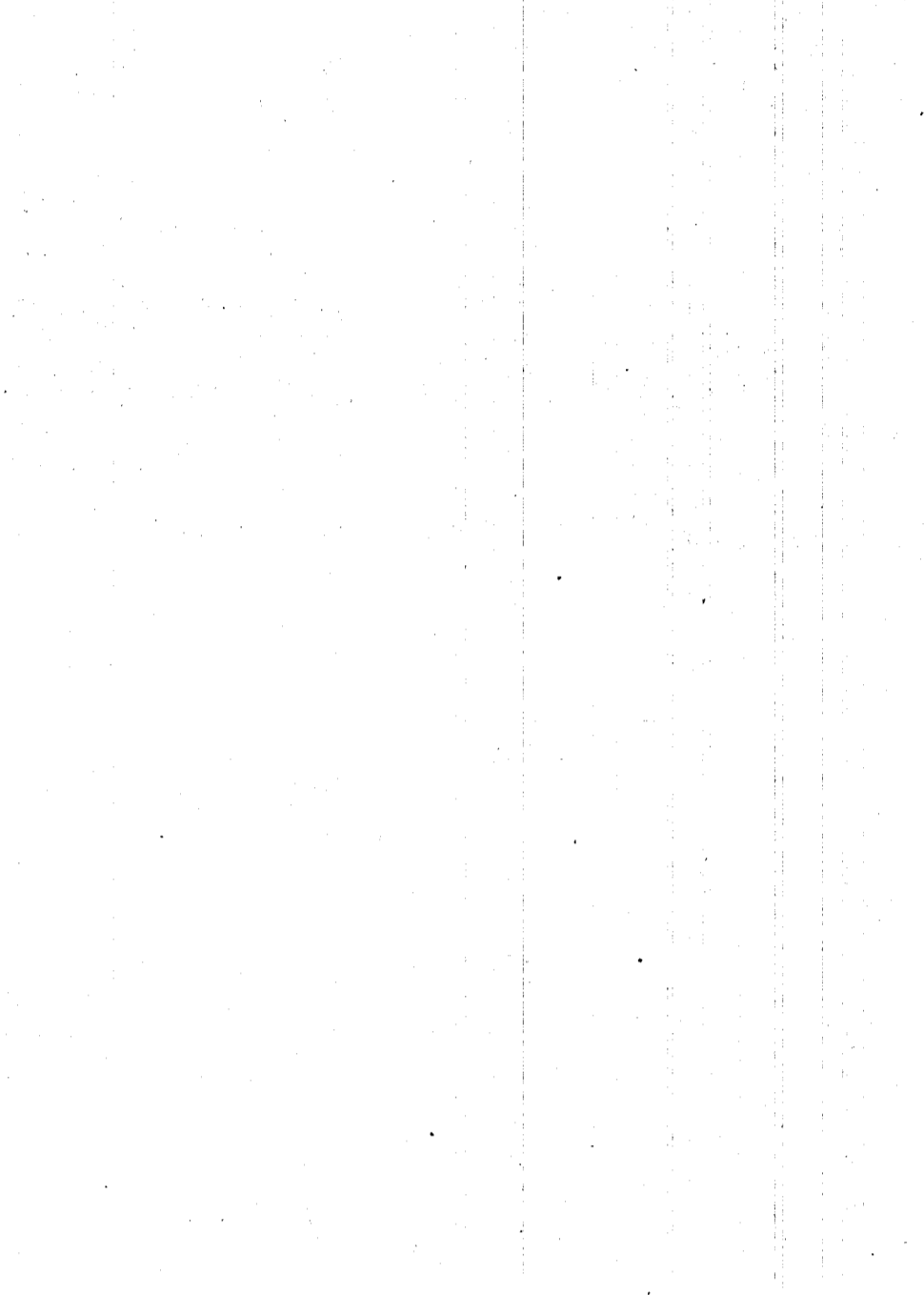
J MECH. FAN ROOM SECTION



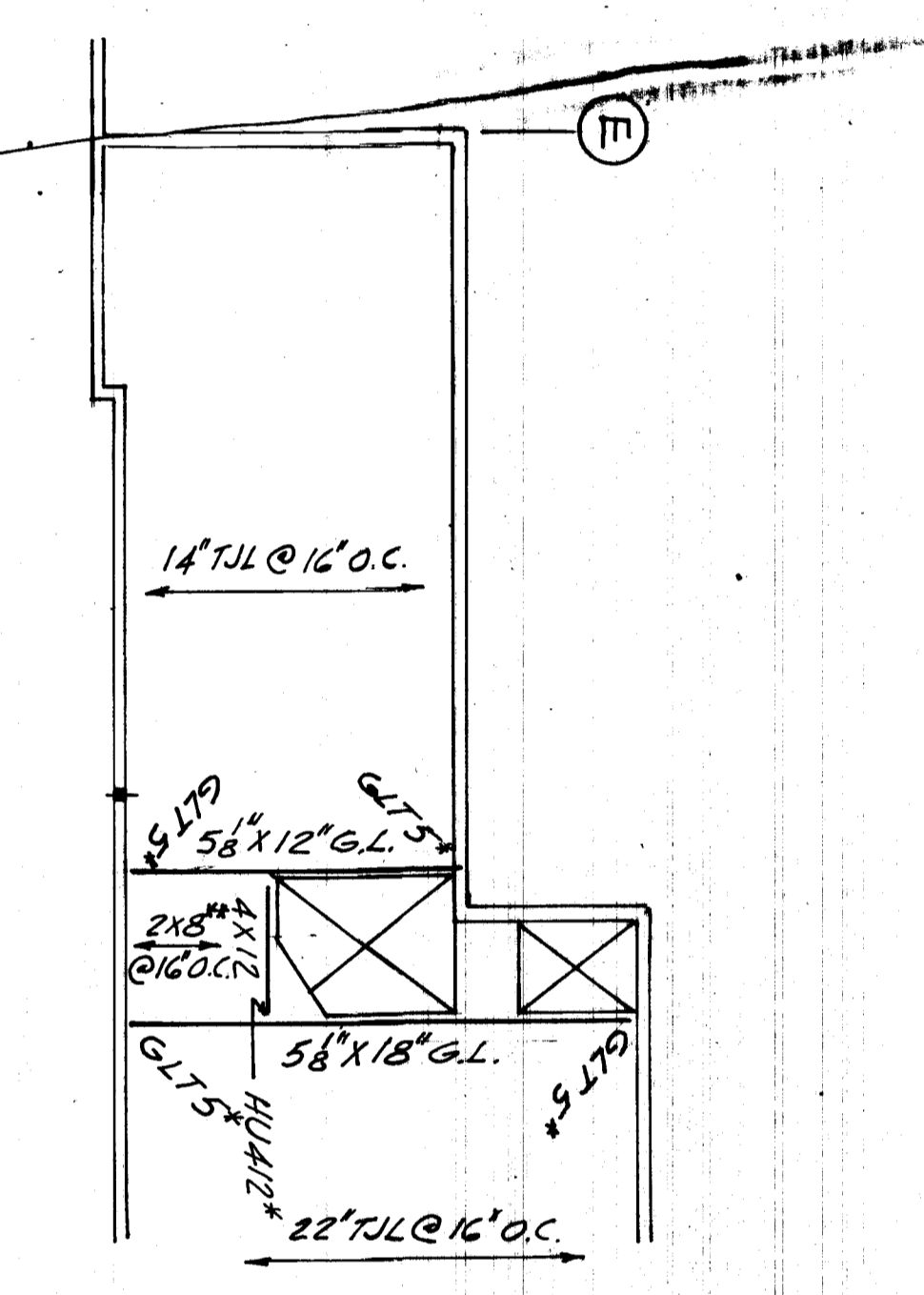
K STAIR 2ND FL. SECTION



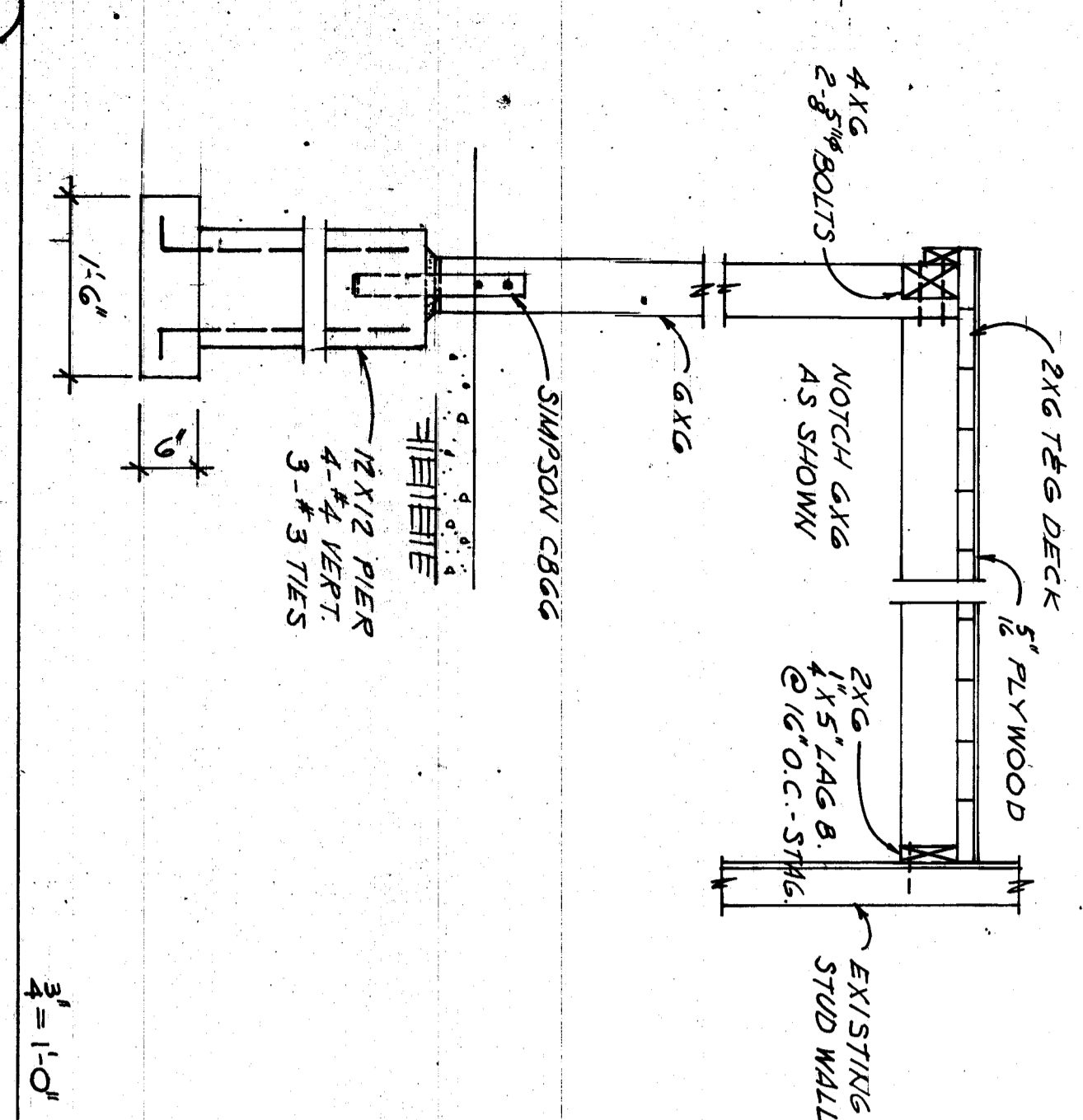
N MECH. RM. 218 FLOOR



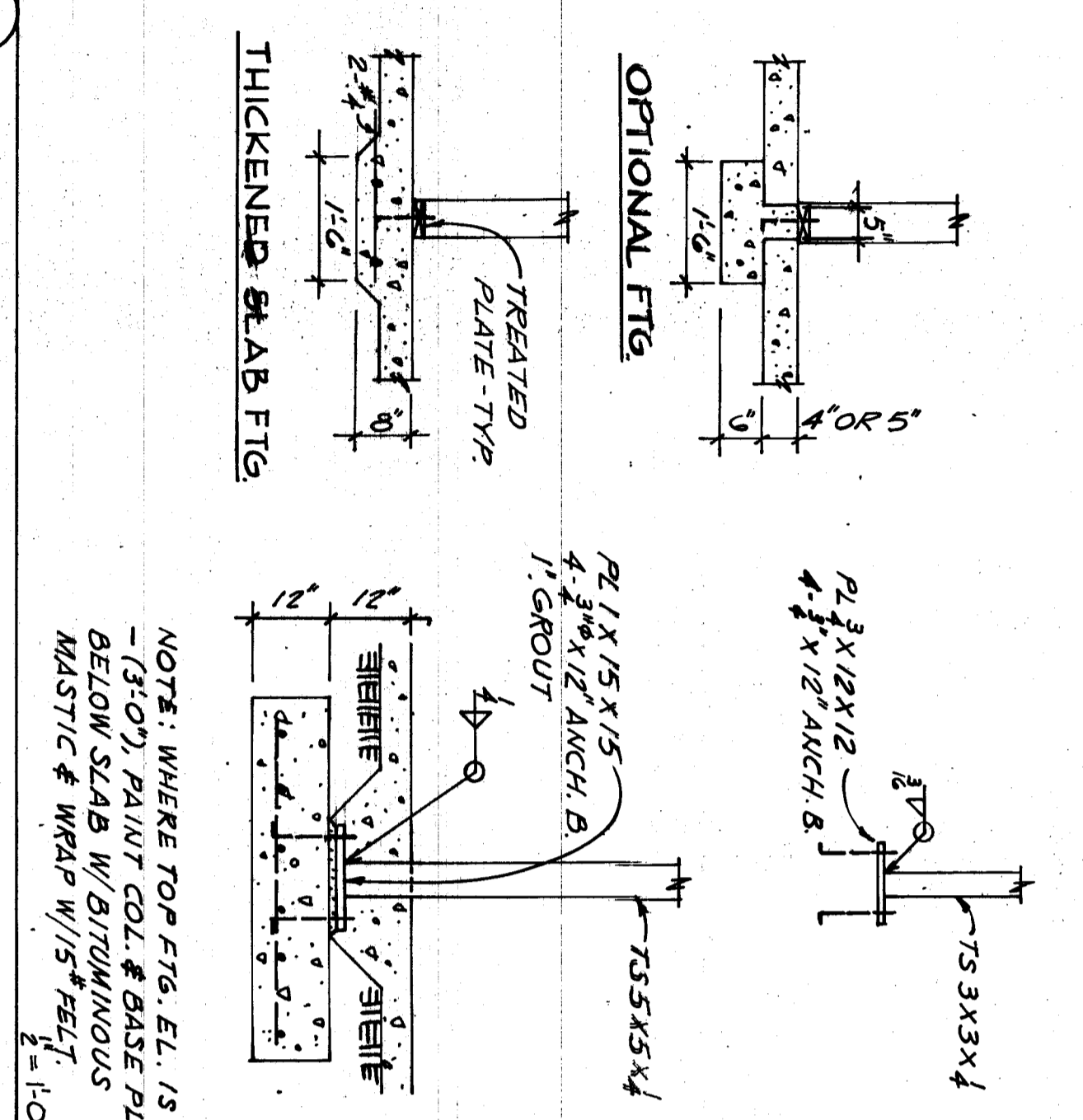
O MECH. RM. SECTION



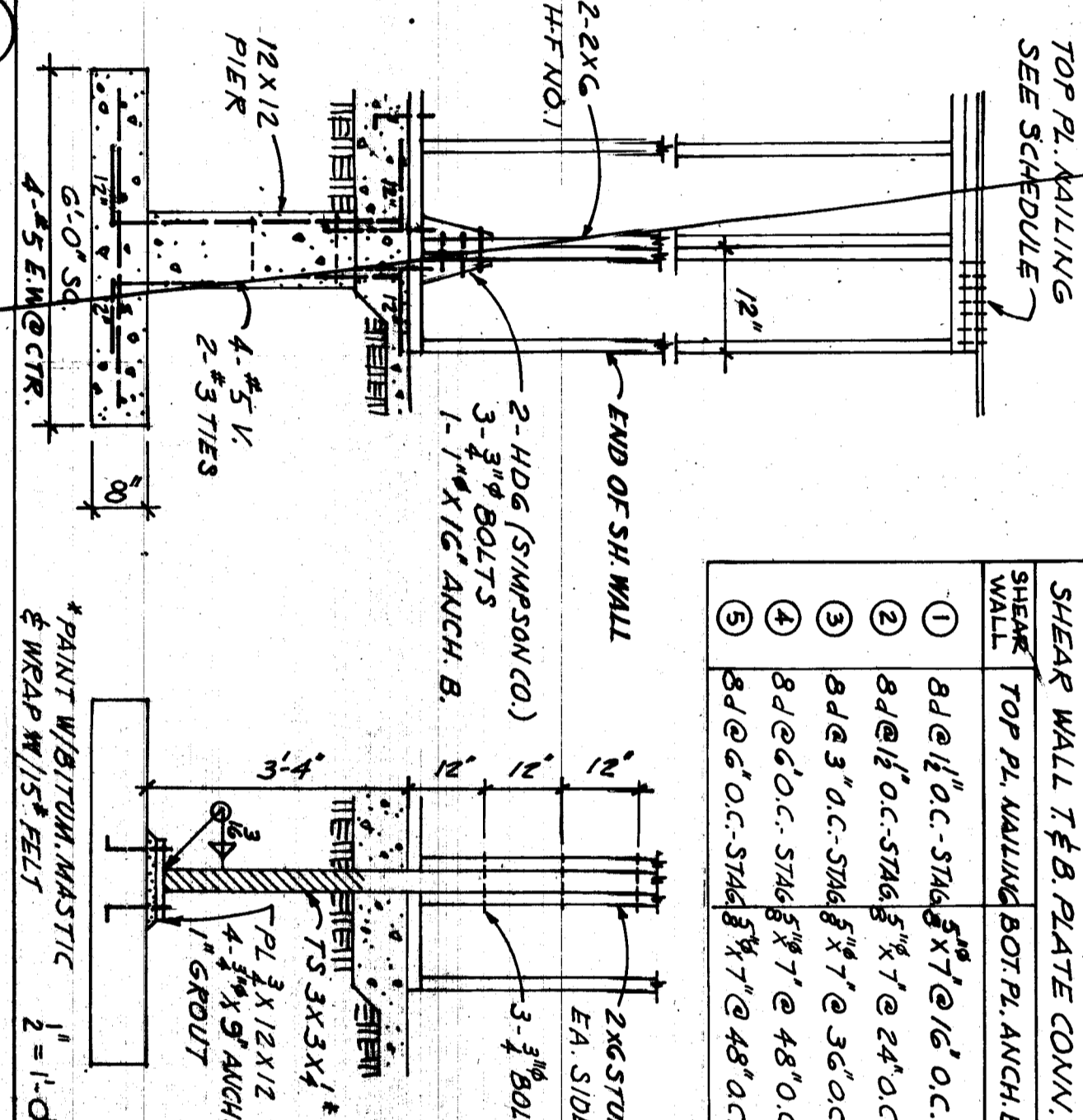
P UTILIDOR SECTION



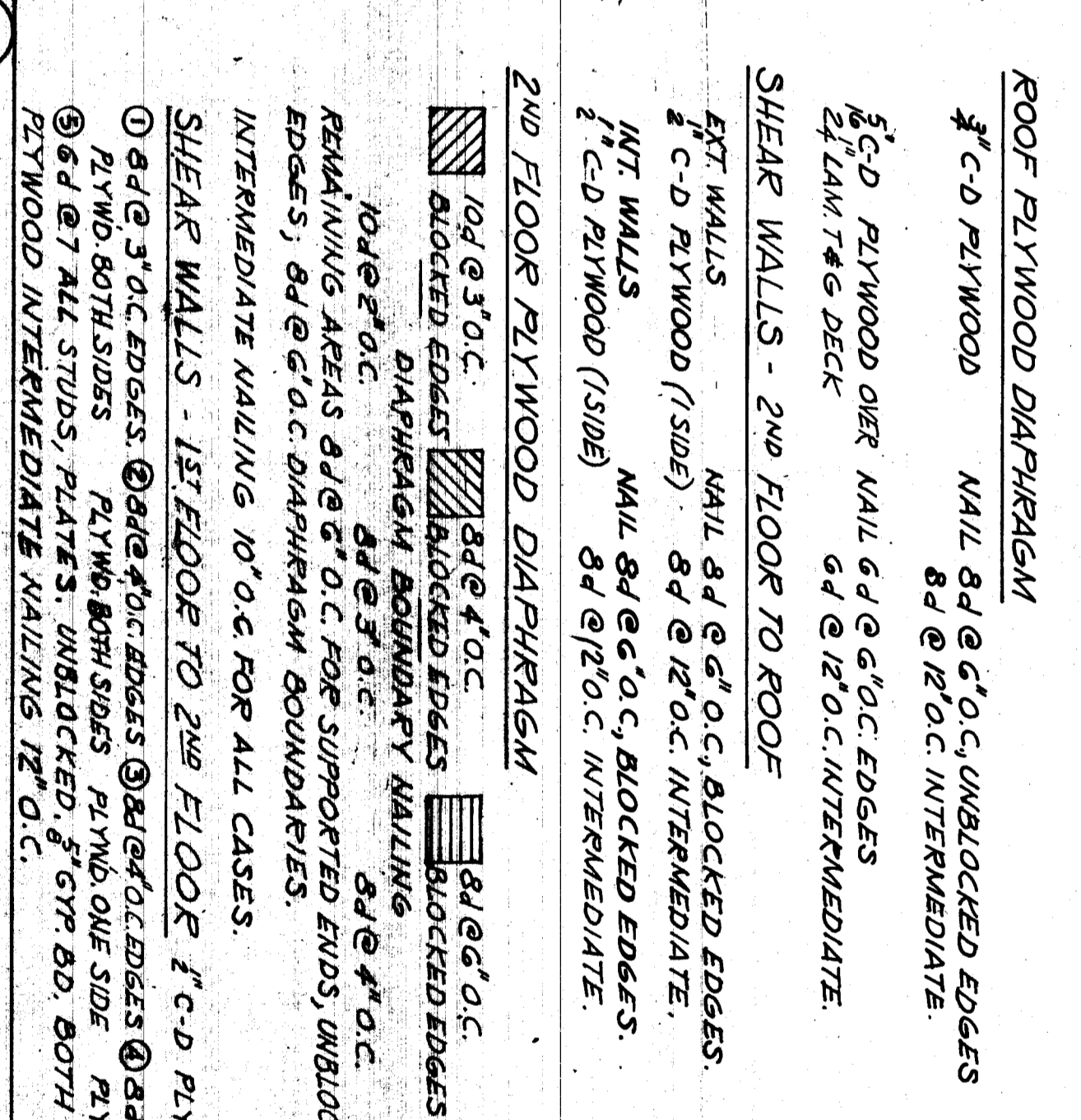
Q WEST WALKWAY SECTION



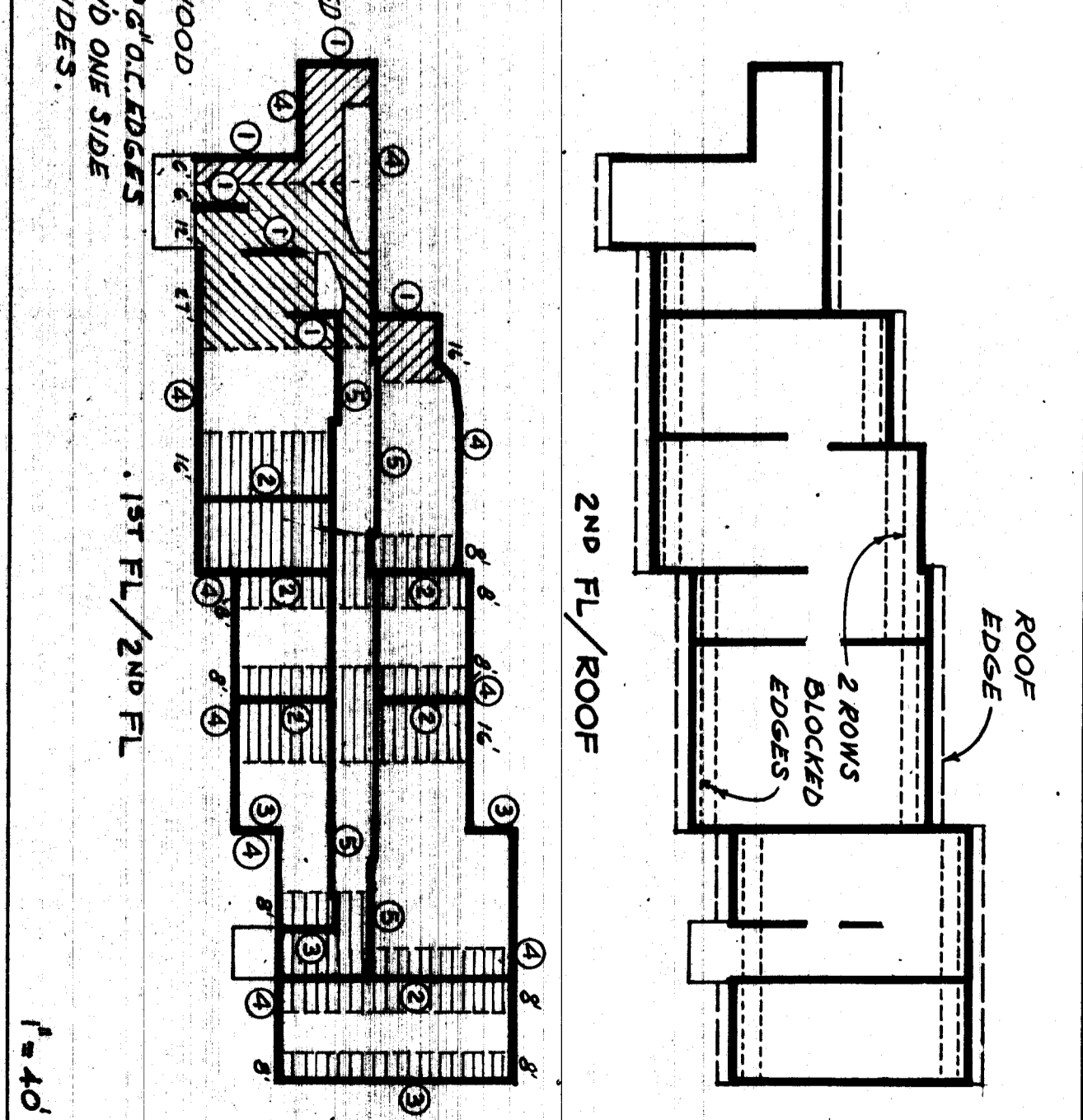
R TYP. INTERIOR FOOTING DETAILS



S SHEAR WALL T & B CONNECTIONS

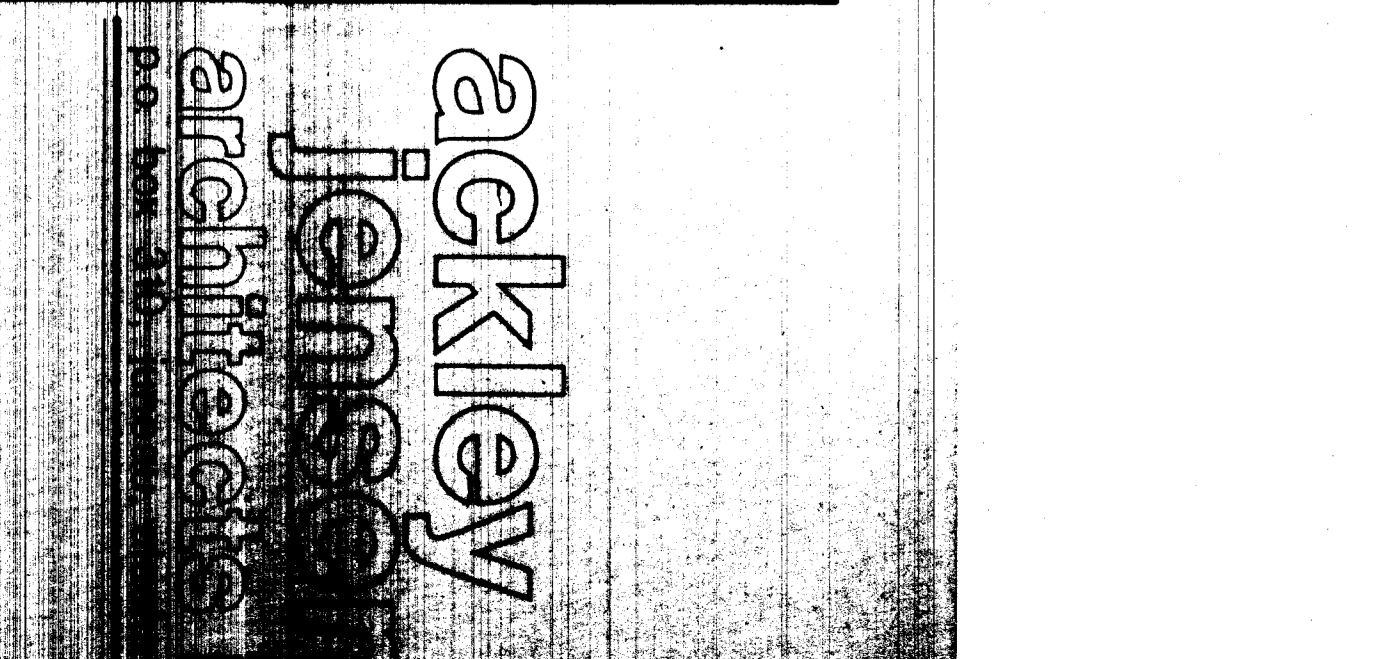


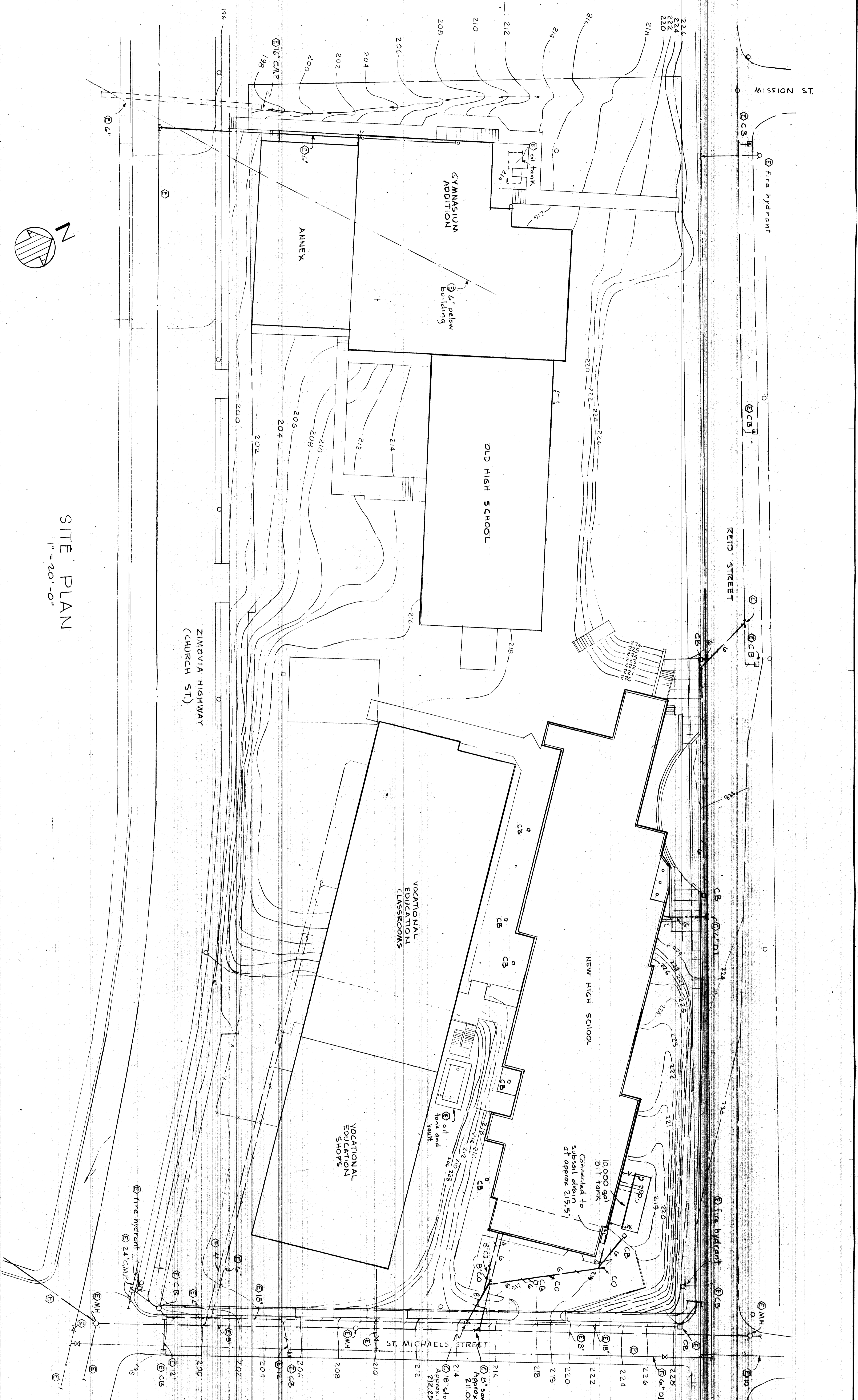
T SHEAR WALLS - ROOF & FLOOR DIAPHRAGMS



ROOF PLYWOOD DIAPHRAGM  
FLOOR PLYWOOD DIAPHRAGM

SHEET NO. : S6  
DATE : June, 1991  
JOB NO. : 348  
DRAWN BY : RZ  
TITLE : Details  
WRANGELL  
HIGH SCHOOL





**SITE PLAN**  
1" = 20' - 0"

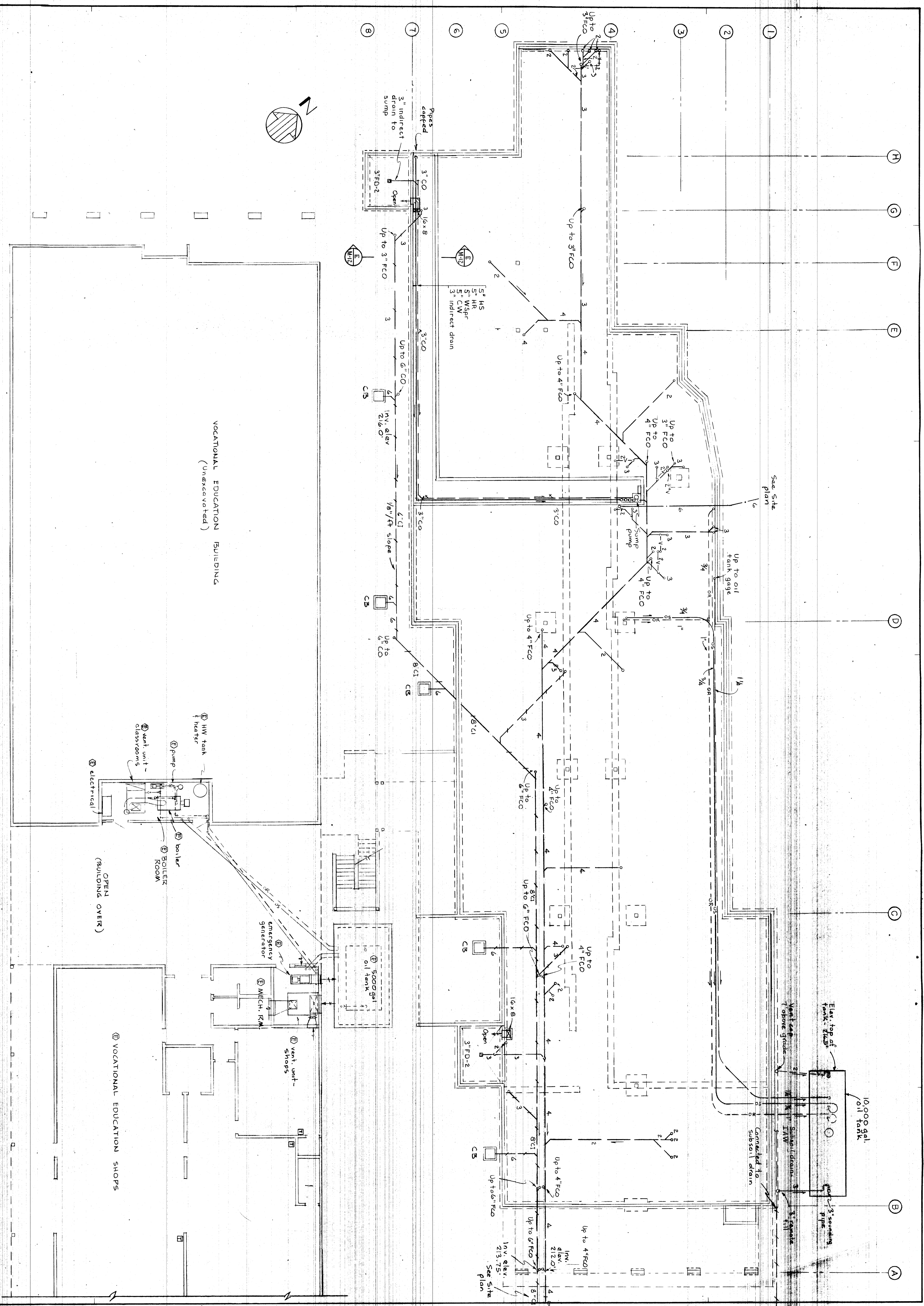
**SYMBOLS**

- |                              |                                |                              |                       |
|------------------------------|--------------------------------|------------------------------|-----------------------|
| HS Heating supply            | AV Adjusting fitting           | AAV Existing space           | L Lavatory            |
| HR Heating return            | AV Automatic valve             | AAV Automatic air vent       | MAV Manual air vent   |
| CW Cold water                | AV Room thermostat             | AAV Automatic radiator valve | MCA 1000 Btu per hour |
| HW Hot water                 | AV Room thermostat             | AAV Automatic radiator valve | MCA 1000 Btu per hour |
| HW Hot water recirculating   | AV Temperature sensor          | AAV Automatic radiator valve | MCA 1000 Btu per hour |
| HW Hot water storage tank    | AV Temperature sensor          | AAV Automatic radiator valve | MCA 1000 Btu per hour |
| V Vent, soil, drainage       | AV Vacuum gauge                | AAV Automatic radiator valve | MCA 1000 Btu per hour |
| AW Acid-resisting waste      | AV Vacuum gauge                | AAV Automatic radiator valve | MCA 1000 Btu per hour |
| RD Roof drain                | AV Vacuum gauge                | AAV Automatic radiator valve | MCA 1000 Btu per hour |
| WSPR Wet automatic sprinkler | AV Vacuum gauge                | AAV Automatic radiator valve | MCA 1000 Btu per hour |
| DSPR Dry automatic sprinkler | AV Vacuum gauge                | AAV Automatic radiator valve | MCA 1000 Btu per hour |
| OR Oil return                | AV Temp. & press. relief valve | AAV Automatic radiator valve | MCA 1000 Btu per hour |
| A Compressed air             | AV Thermostat                  | AAV Automatic radiator valve | MCA 1000 Btu per hour |
| AS Sidewall sprinkler head   | AV Thermostat                  | AAV Automatic radiator valve | MCA 1000 Btu per hour |
| RD Reduced down              | AV Thermostat                  | AAV Automatic radiator valve | MCA 1000 Btu per hour |
| CC Concentric, eccentric     | AV Thermostat                  | AAV Automatic radiator valve | MCA 1000 Btu per hour |
| HD Hose and drain valve      | AV Thermostat                  | AAV Automatic radiator valve | MCA 1000 Btu per hour |
| CP Capped or plugged         | AV Thermostat                  | AAV Automatic radiator valve | MCA 1000 Btu per hour |
| U Union                      | AV Thermostat                  | AAV Automatic radiator valve | MCA 1000 Btu per hour |
| TP Test plug                 | AV Thermostat                  | AAV Automatic radiator valve | MCA 1000 Btu per hour |
| FCO Floor cleanout           | AV Thermostat                  | AAV Automatic radiator valve | MCA 1000 Btu per hour |
| M Gate valve                 | AV Thermostat                  | AAV Automatic radiator valve | MCA 1000 Btu per hour |
| R Raising stem gate valve    | AV Thermostat                  | AAV Automatic radiator valve | MCA 1000 Btu per hour |
| Y Yalack switch              | AV Thermostat                  | AAV Automatic radiator valve | MCA 1000 Btu per hour |
| G Globe valve                | AV Thermostat                  | AAV Automatic radiator valve | MCA 1000 Btu per hour |
|                              | AV Thermostat                  | AAV Automatic radiator valve | MCA 1000 Btu per hour |

WRANGELL  
HIGH SCHOOL  
JOB NO. - 348  
DRAWN BY:  
M-1  
DATE: June 15, 1984

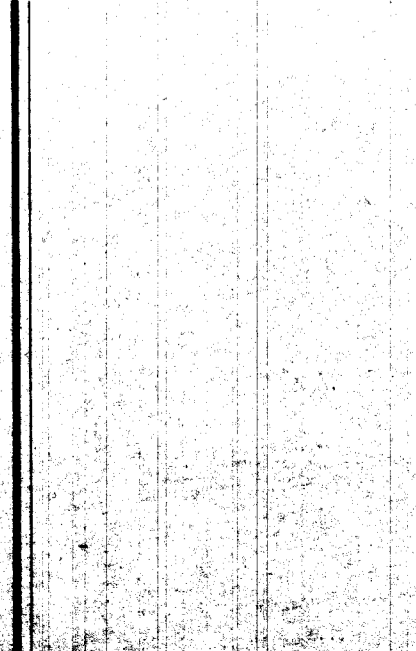
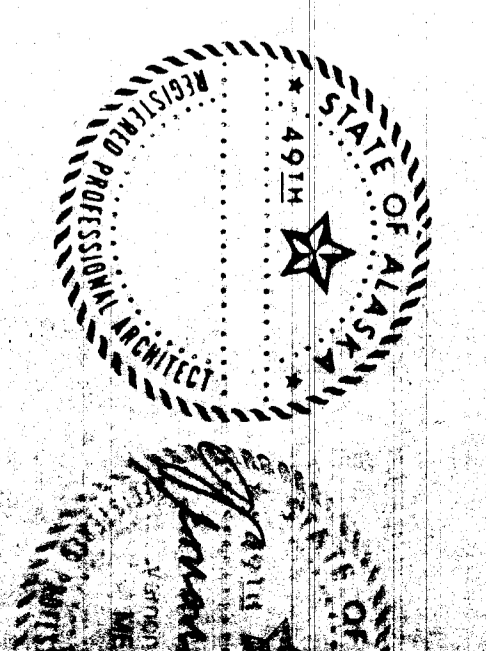
**Jackley**  
**Jensen**  
architects

FOUNDATION PLAN  
 1/8" = 1'-0"



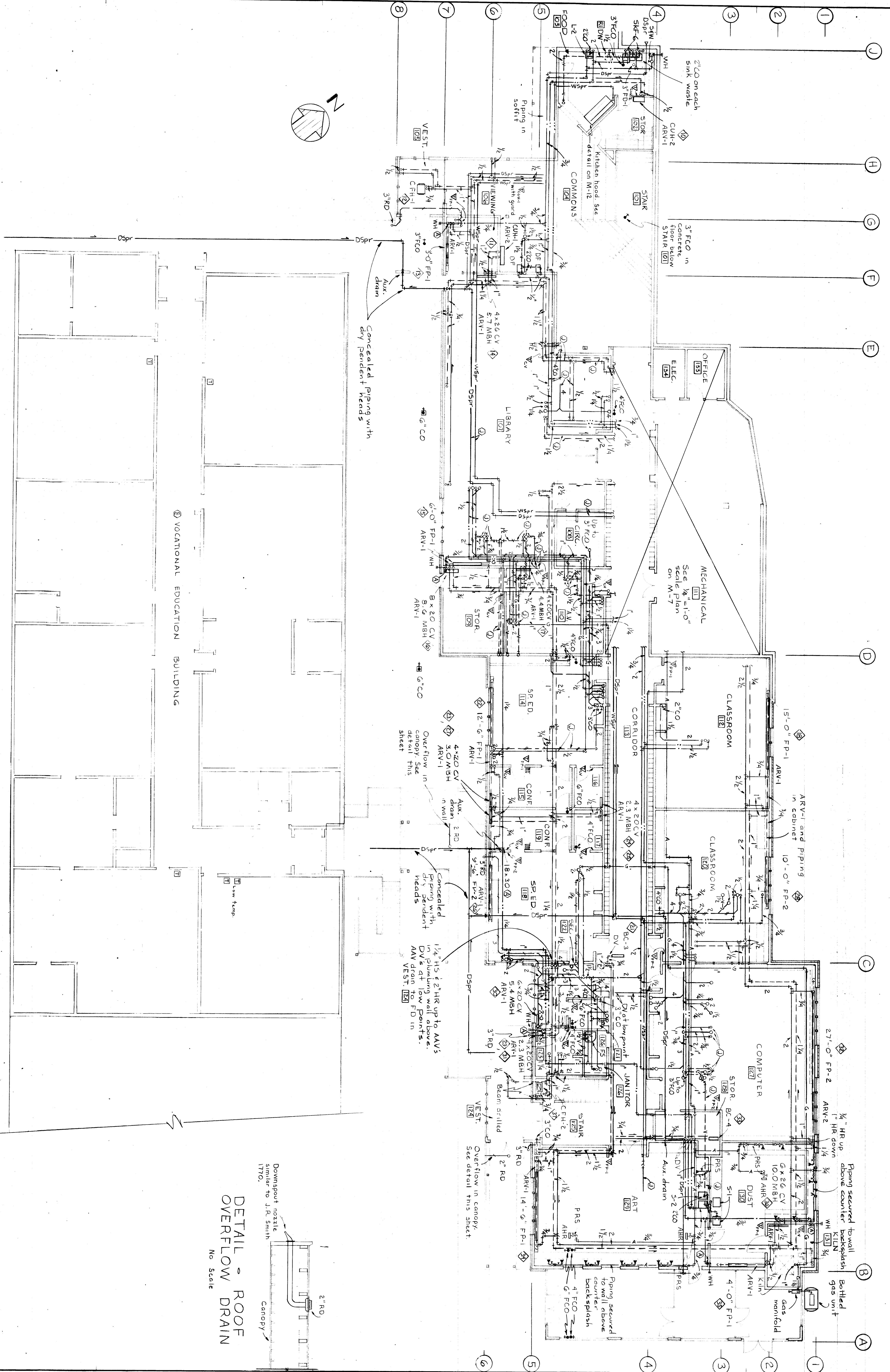
JOB NO. : 349  
 DRAWN BY :  
 TITLE :  
 FOUNDATION PLAN

WRANGELL  
 HIGH SCHOOL



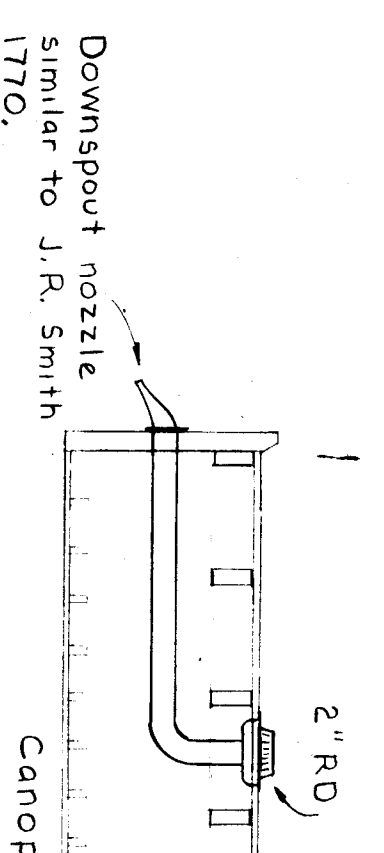
ackley  
 jensson  
 architects  
 P.O. BOX 310

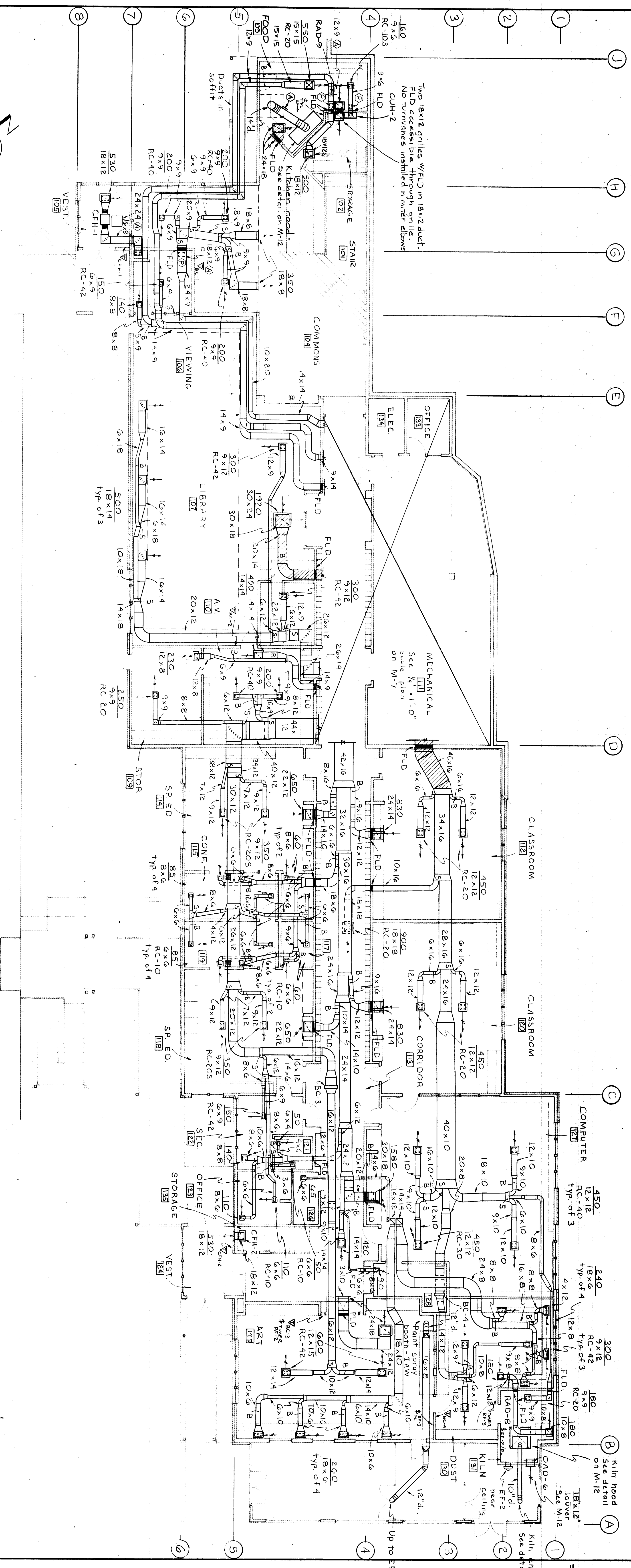
M-2  
 SHEET NO. :  
 DATE : June 15, 1957



FIRST FLOOR PLAN • PIPING  
1/8" = 1'-0"

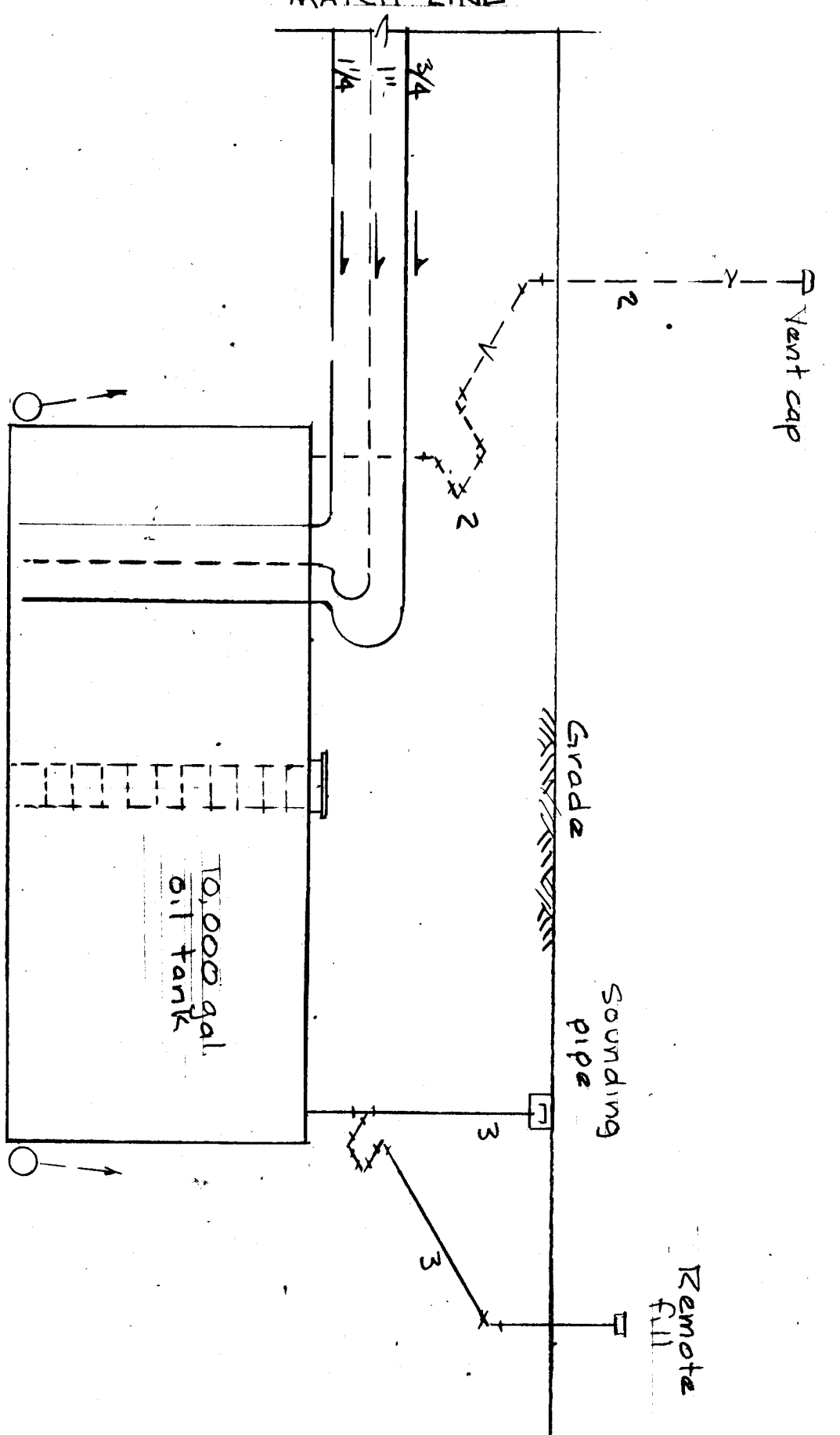
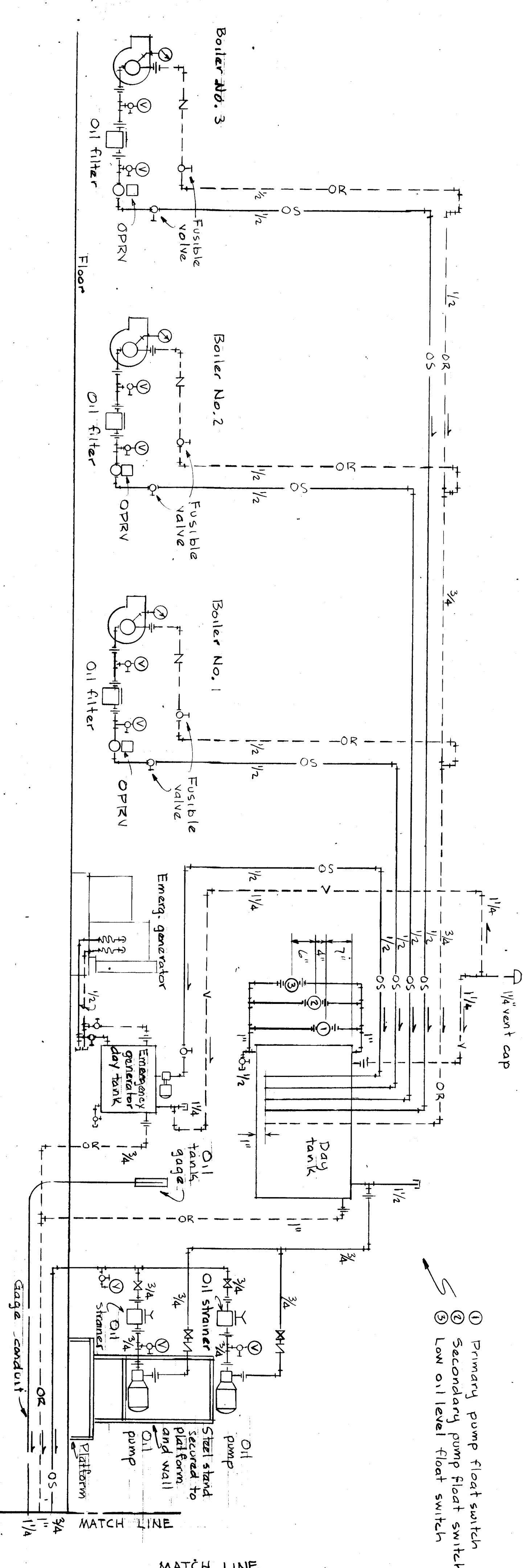
DETAIL - ROOF  
OVERFLOW DRAIN  
No Scale



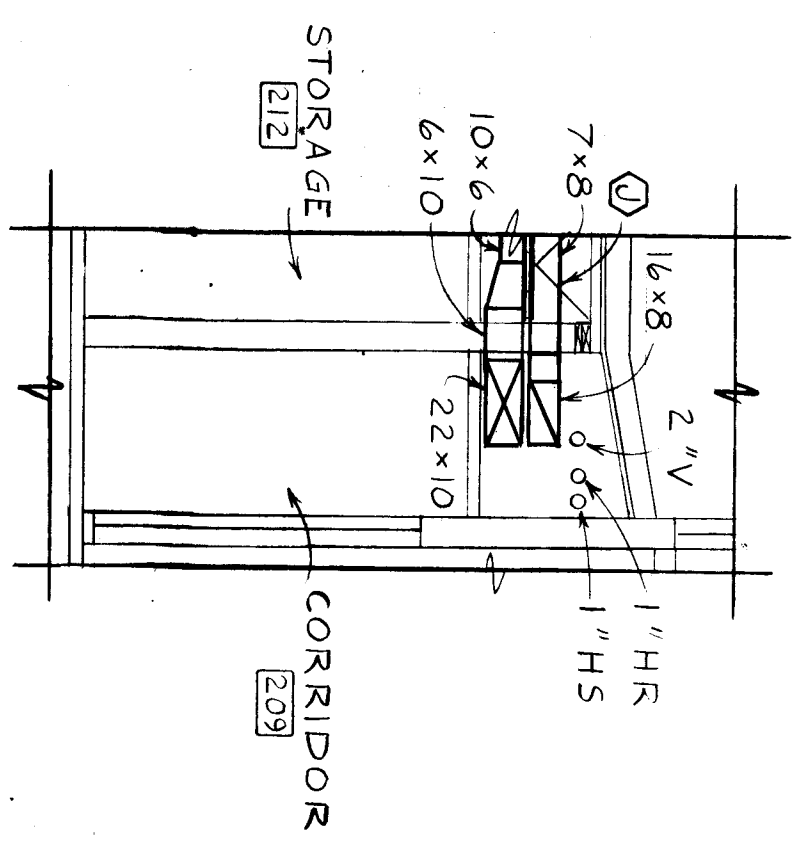


FIRST FLOOR PLAN - DUCTS  
 $\frac{1}{8}'' = 1'-0''$

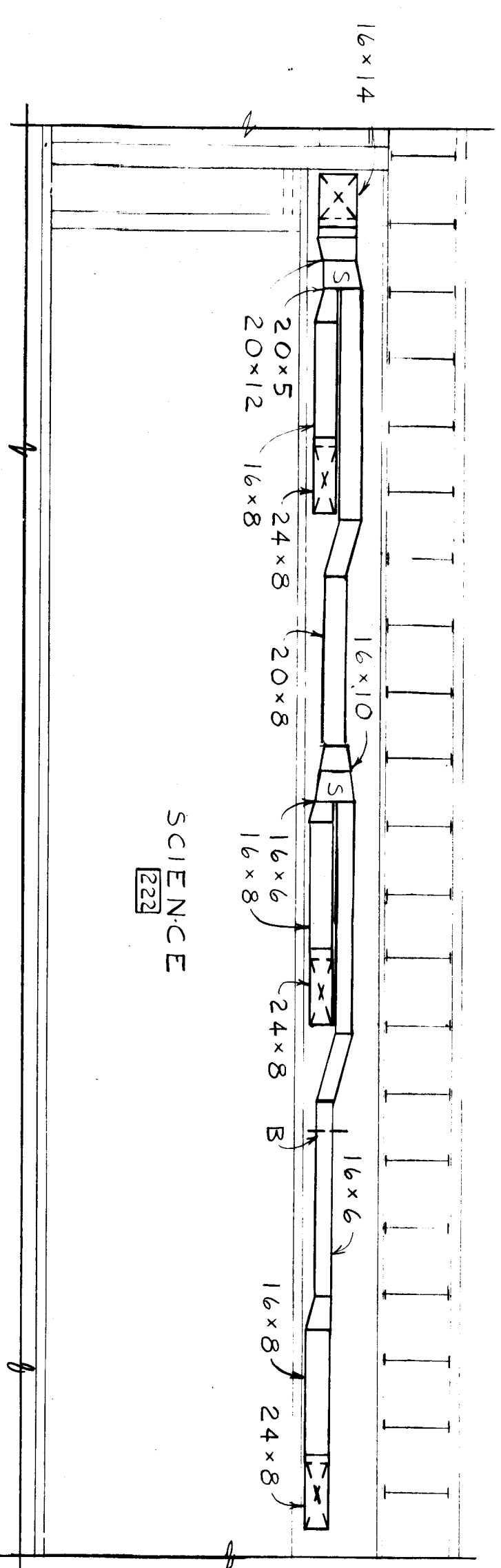
OIL PIPING DIAGRAM  
 No. Scale



SECTION  $\frac{1}{4}'' = 1'-0''$

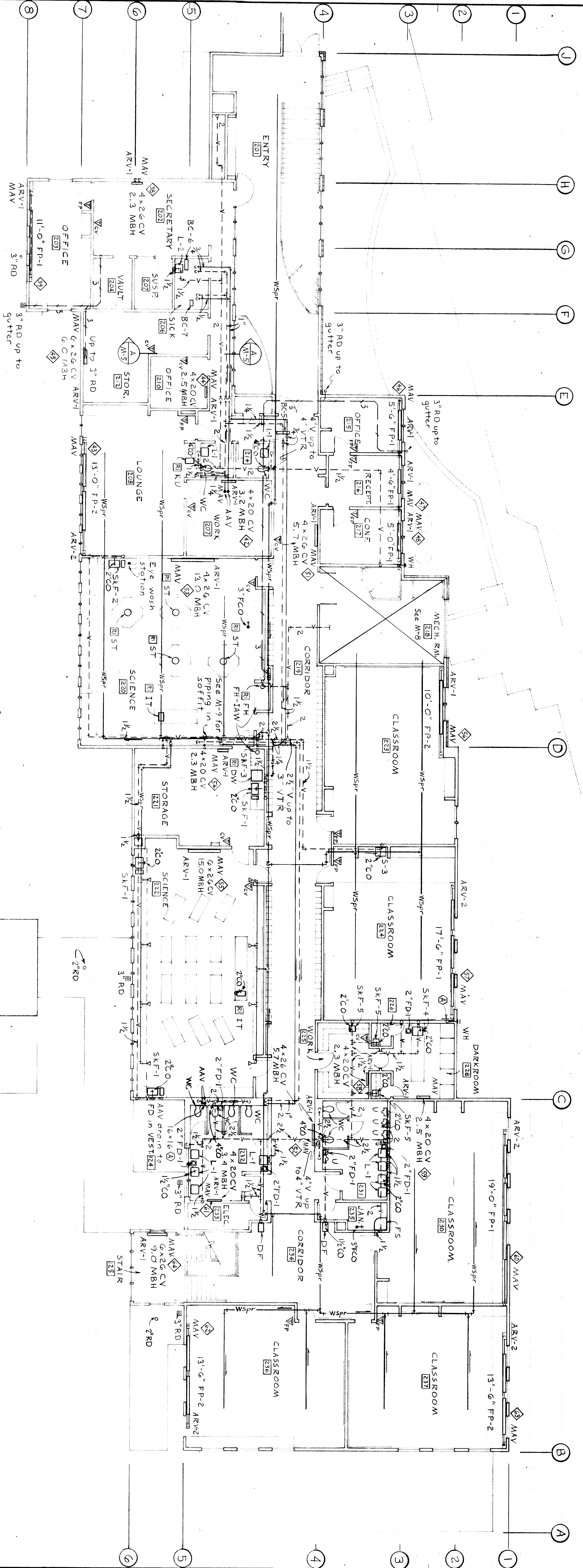


SECTION  $\frac{1}{8}'' = 1'-0''$

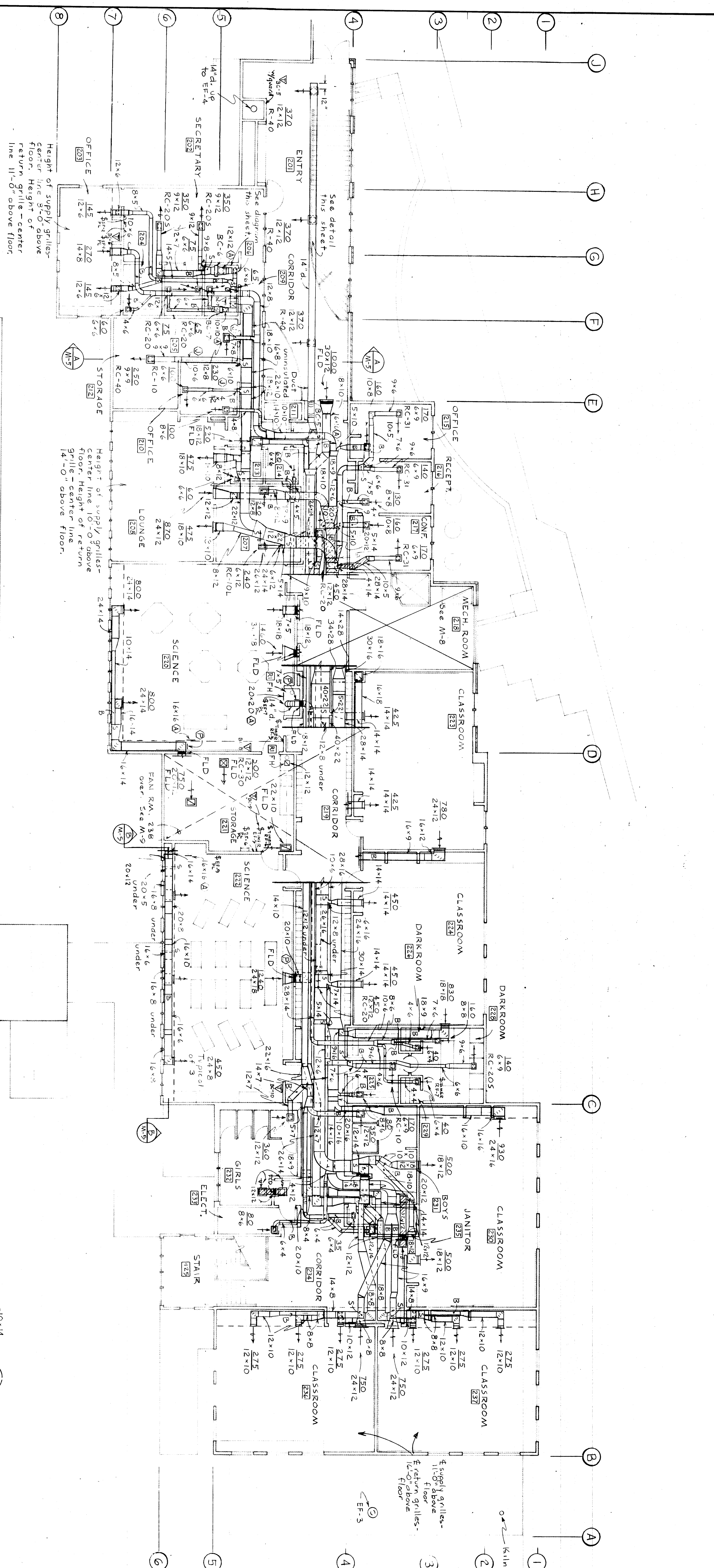


SECOND FLOOR PLAN - PIPING

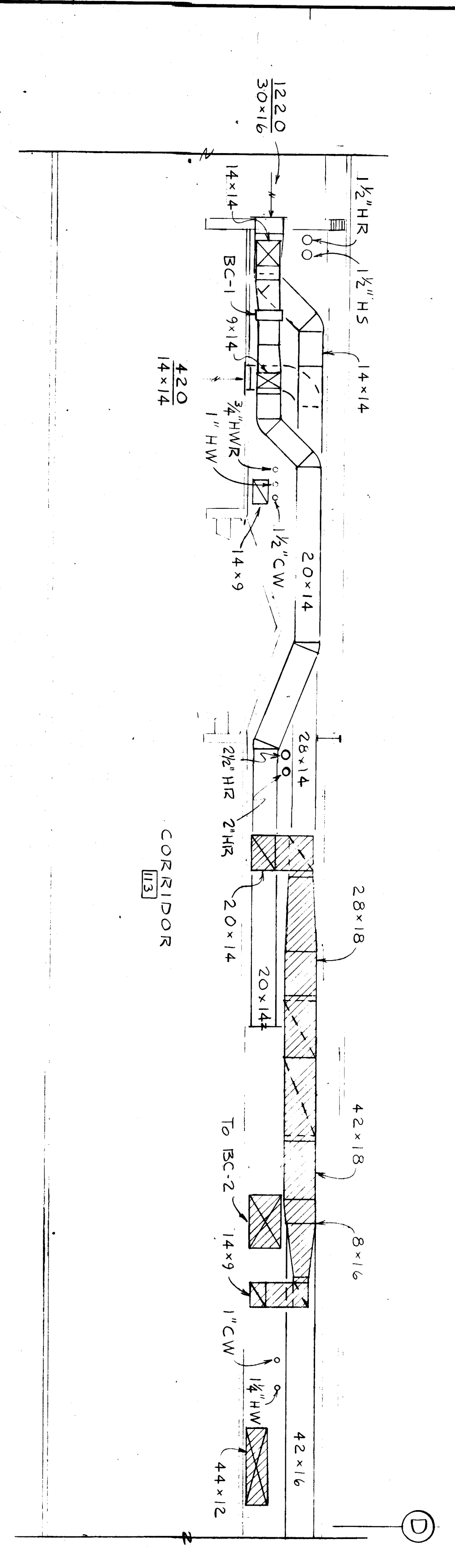
VOCATIONAL EDUCATION BUILDING





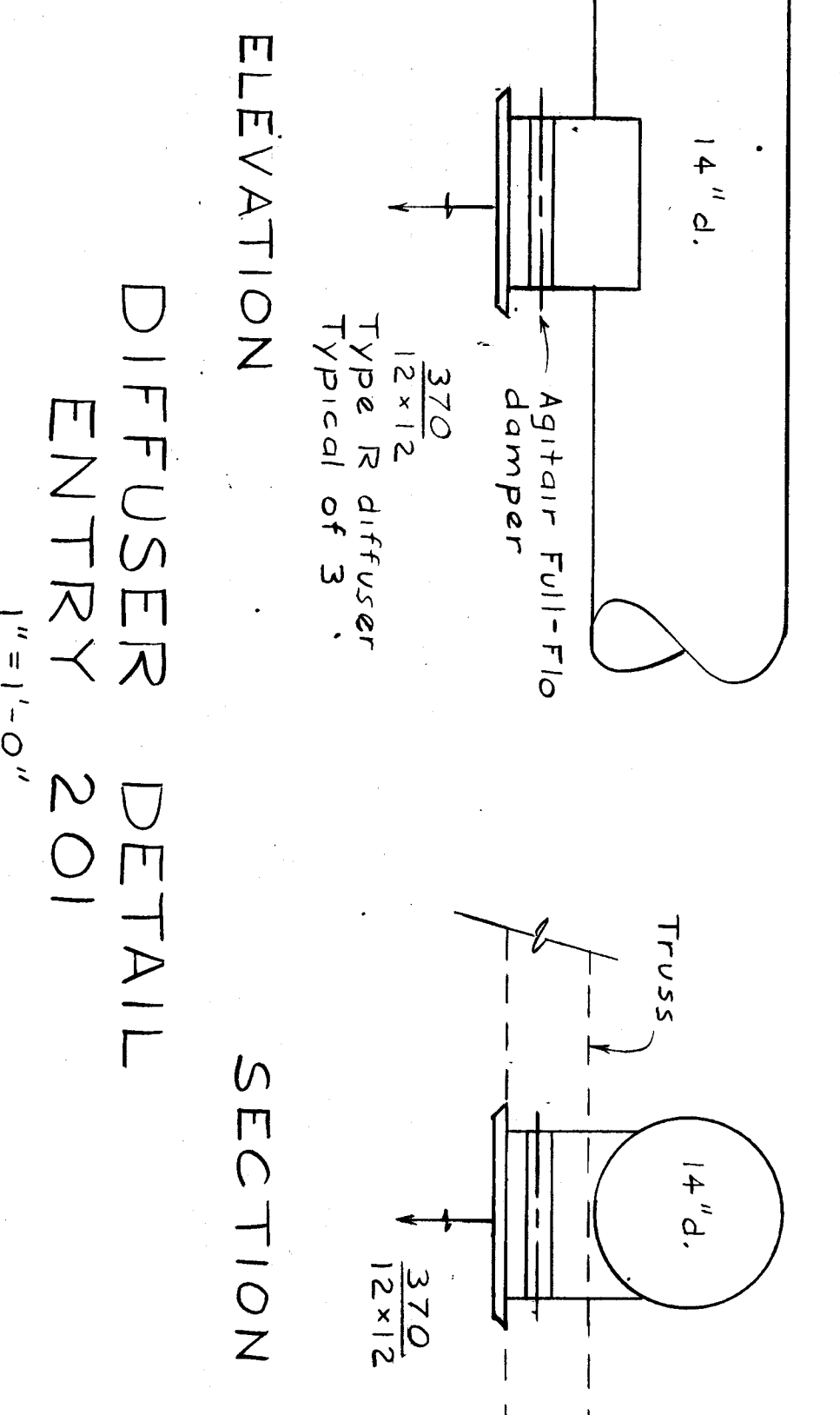
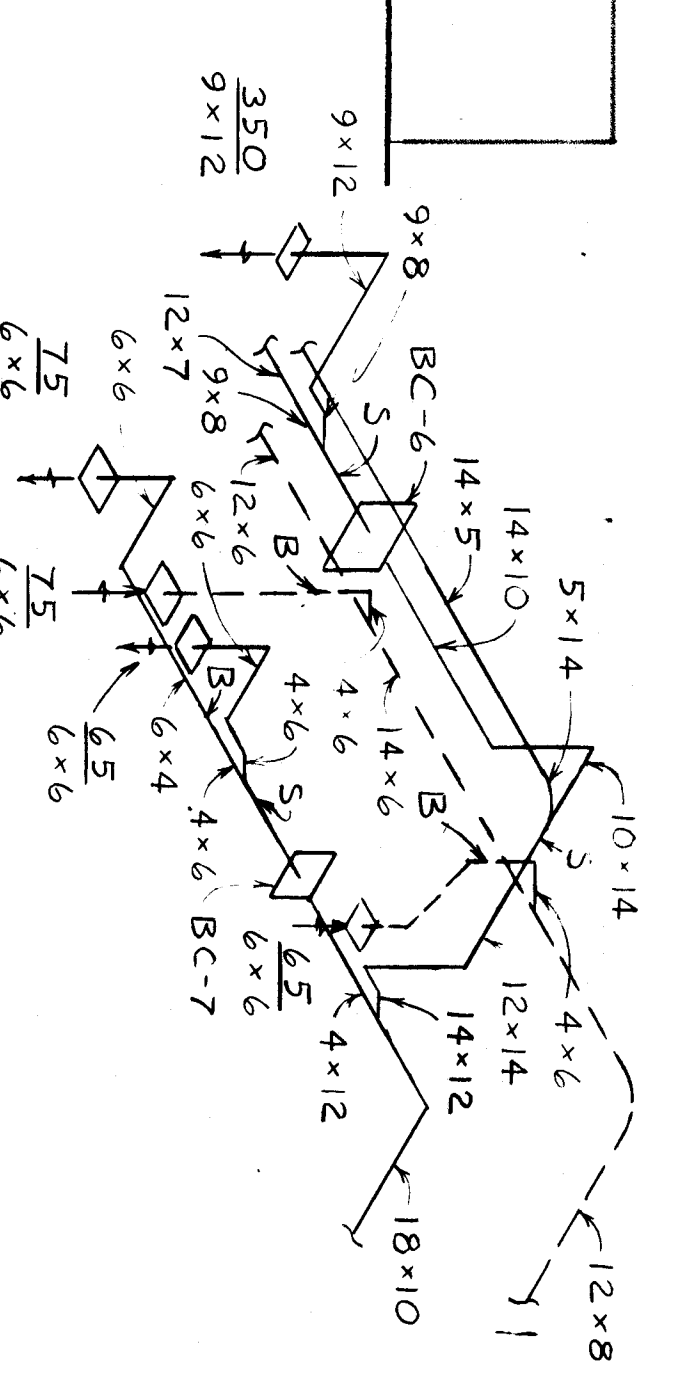


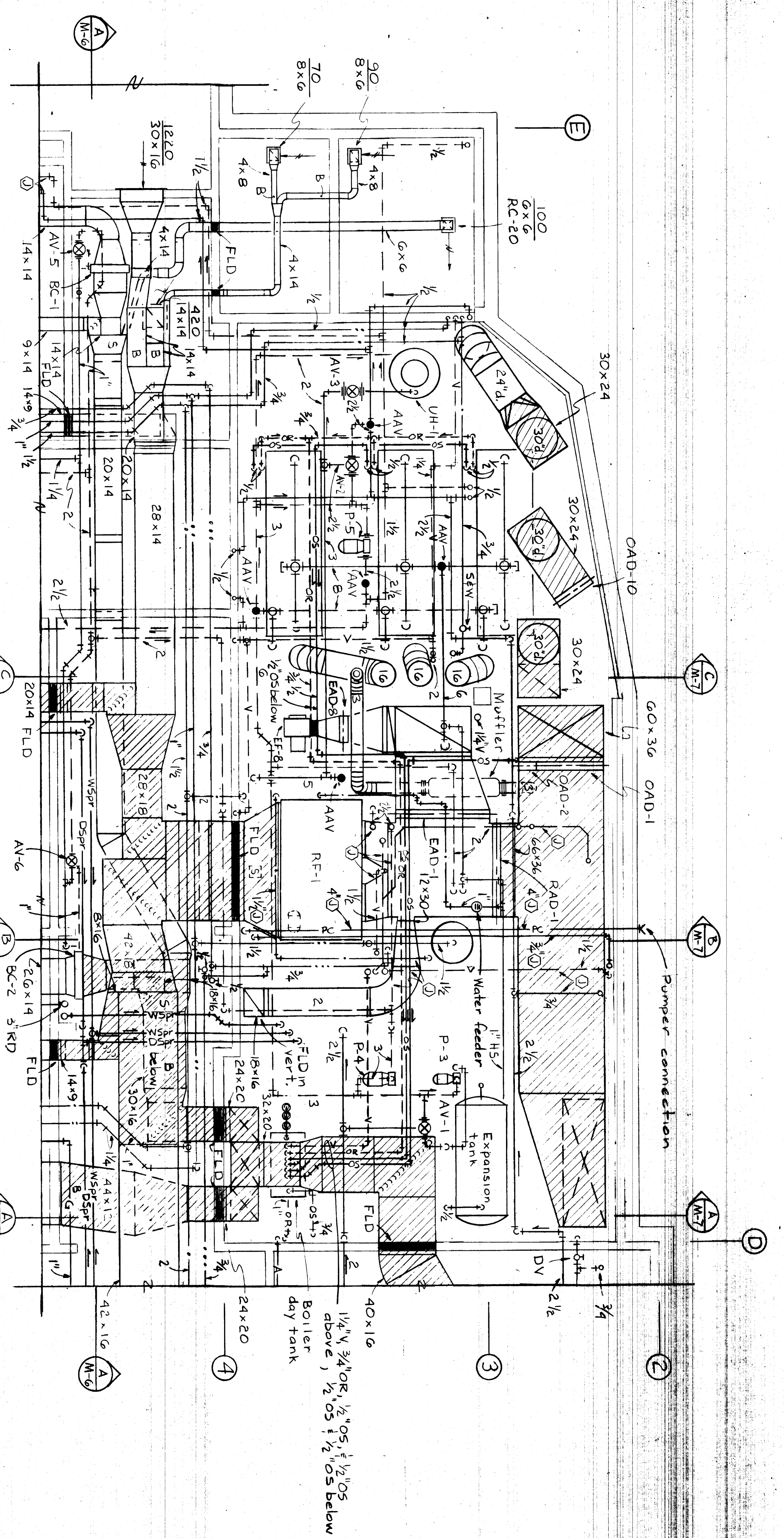
SECOND FLOOR PLAN - DUCTS  
1/8" = 1'-0"



SECTION  
1/4" = 1'-0"

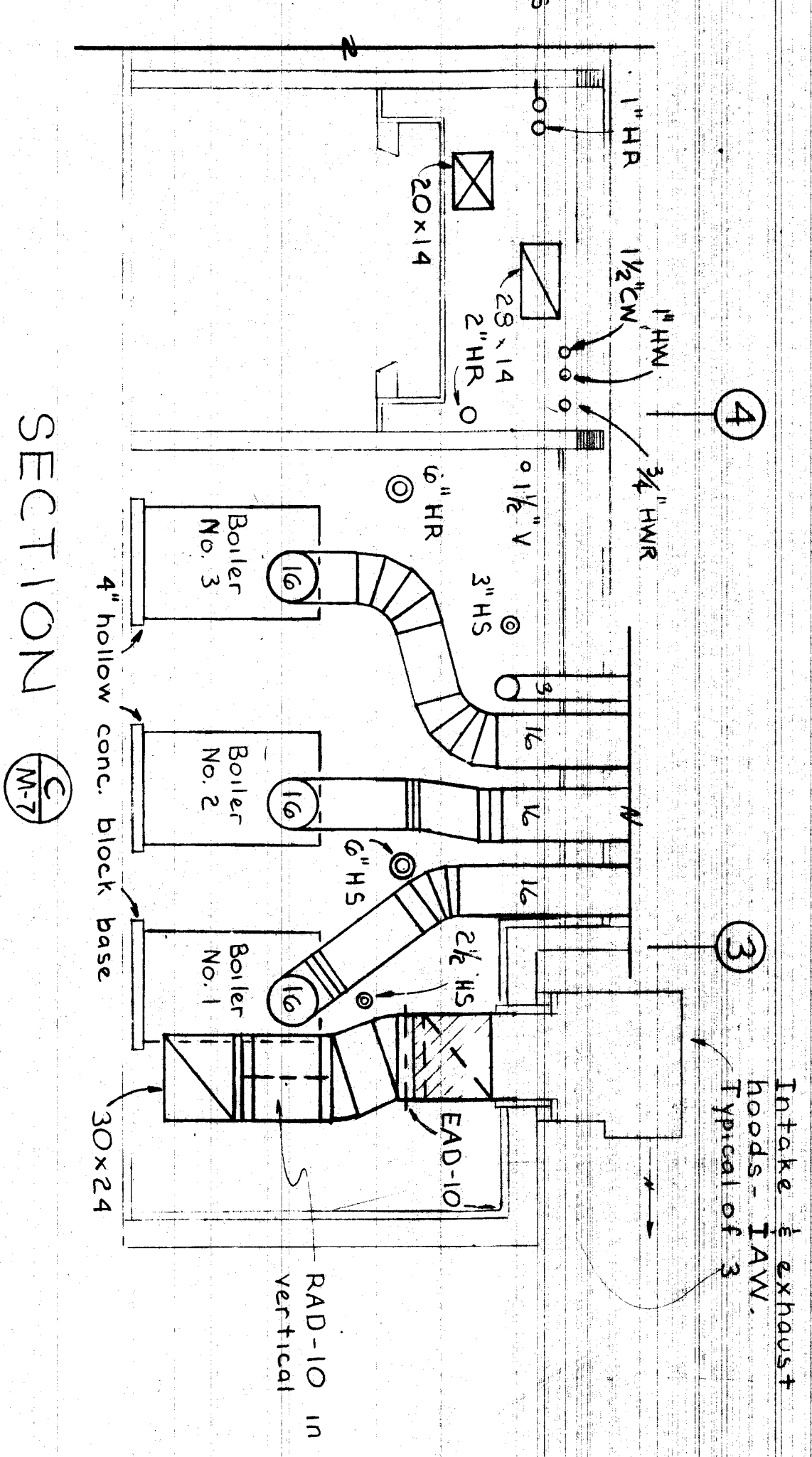
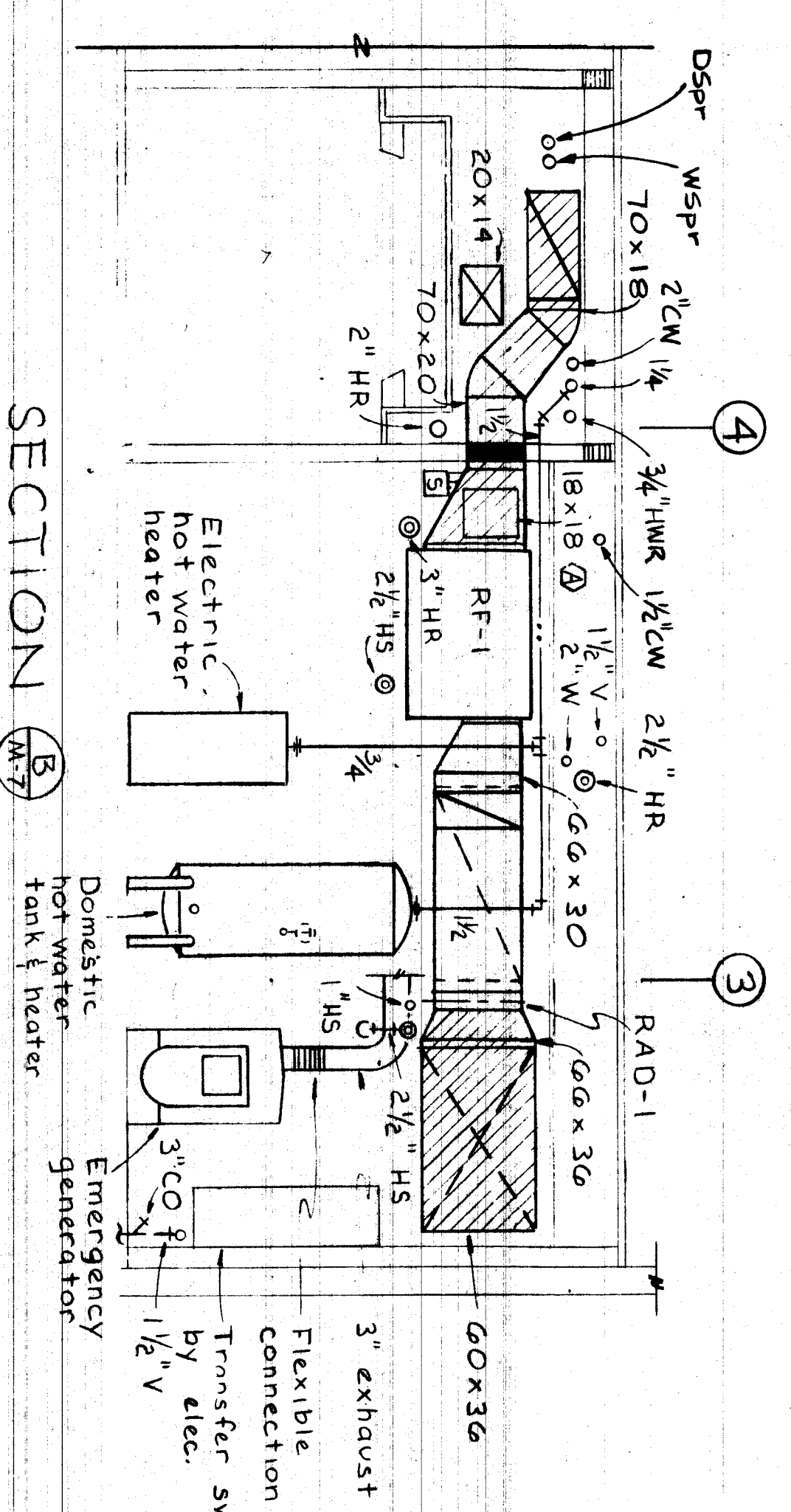
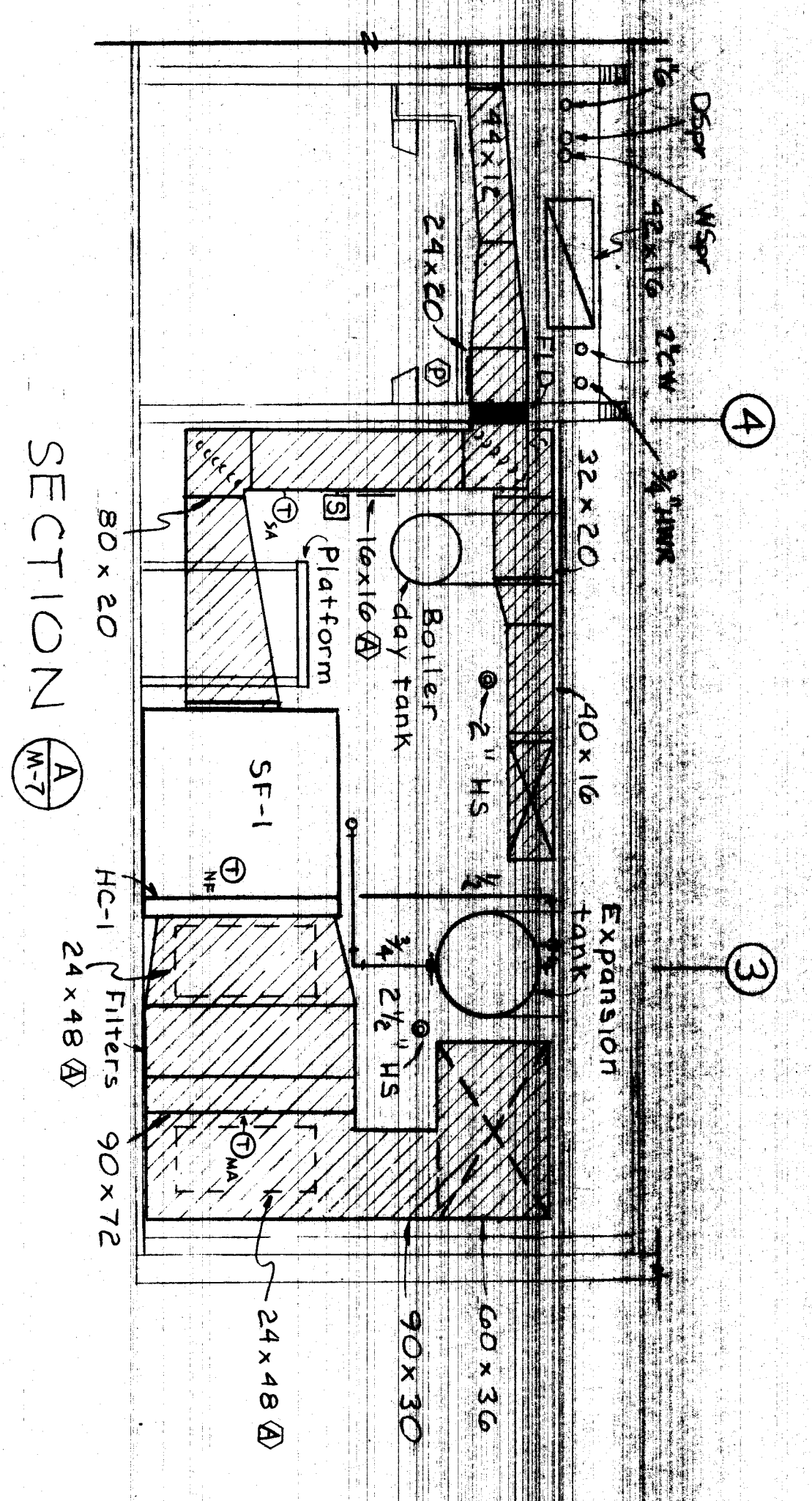
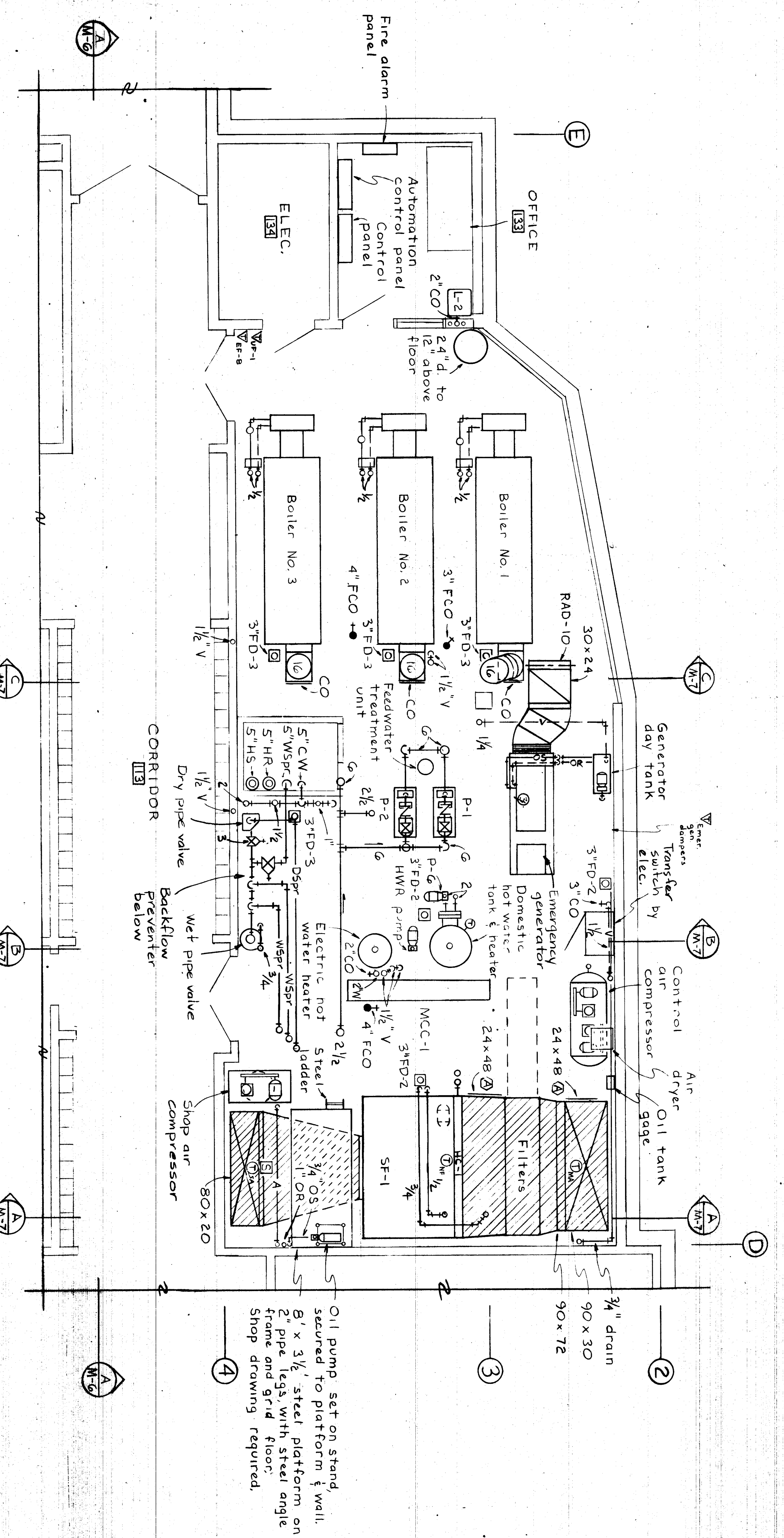
DUCTWORK DIAGRAM  
ROOMS 205 AND 206  
NO SCALE





UPPER LEVEL PLAN - MECHANICAL ROOM III  
1/4" = 1'-0"

LOWER LEVEL PLAN - MECHANICAL ROOM III  
1/4" = 1'-0"

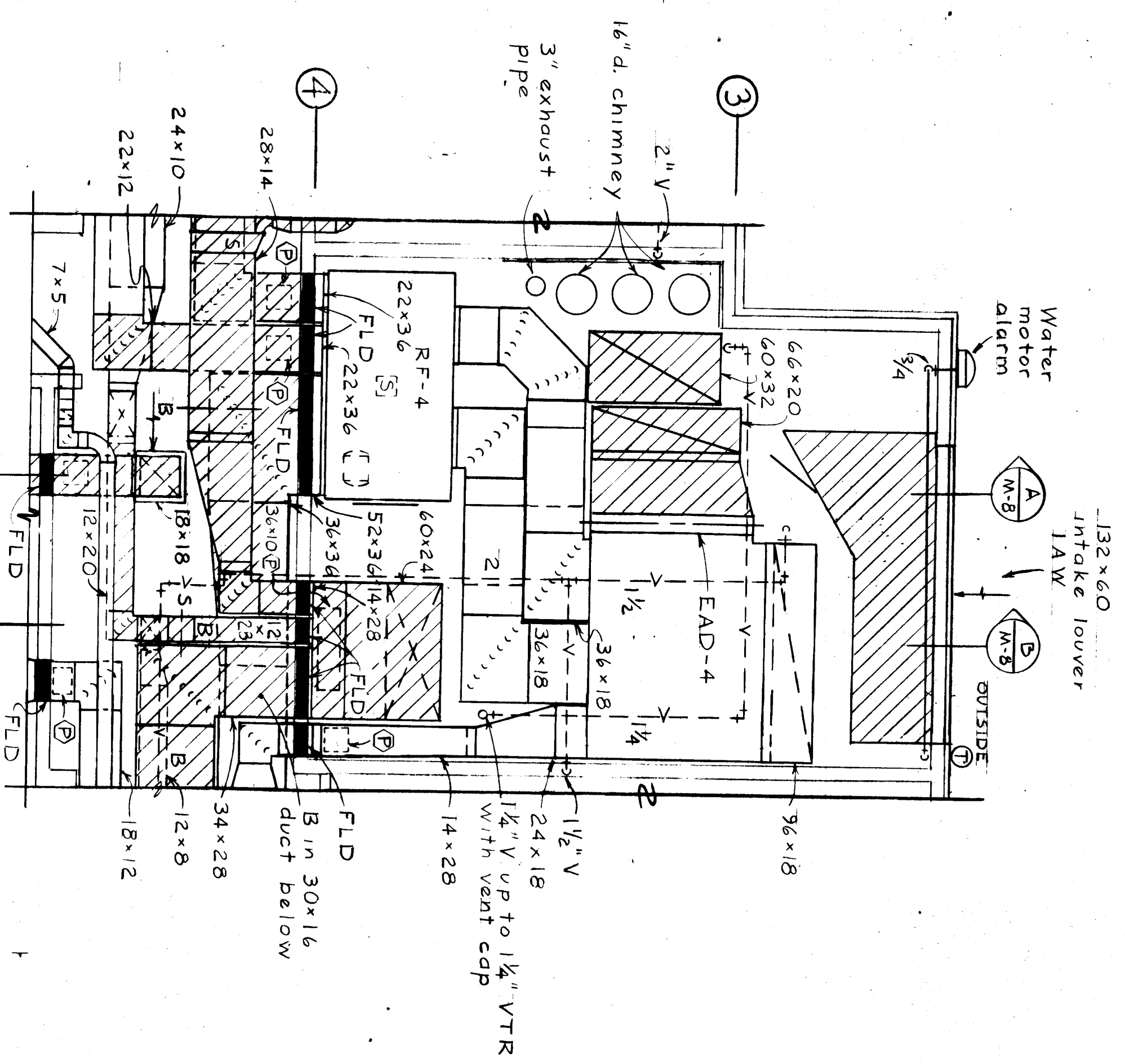


WRANGELL  
HIGH SCHOOL  
JOB NO. 348  
DRAWN BY:  
TITLE  
Mech Room

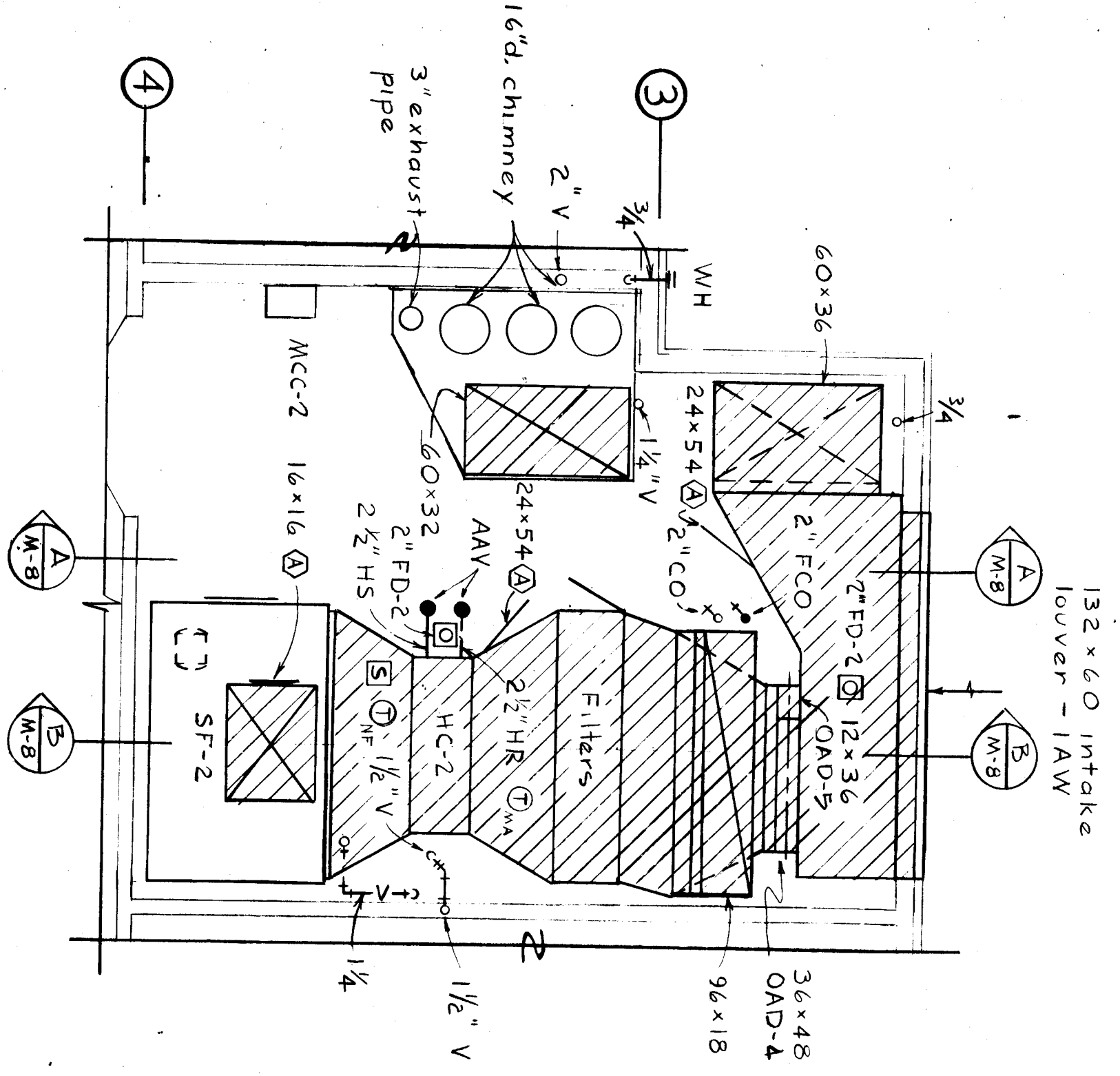
M-7  
SHEET NO.:

DATE: June 18,

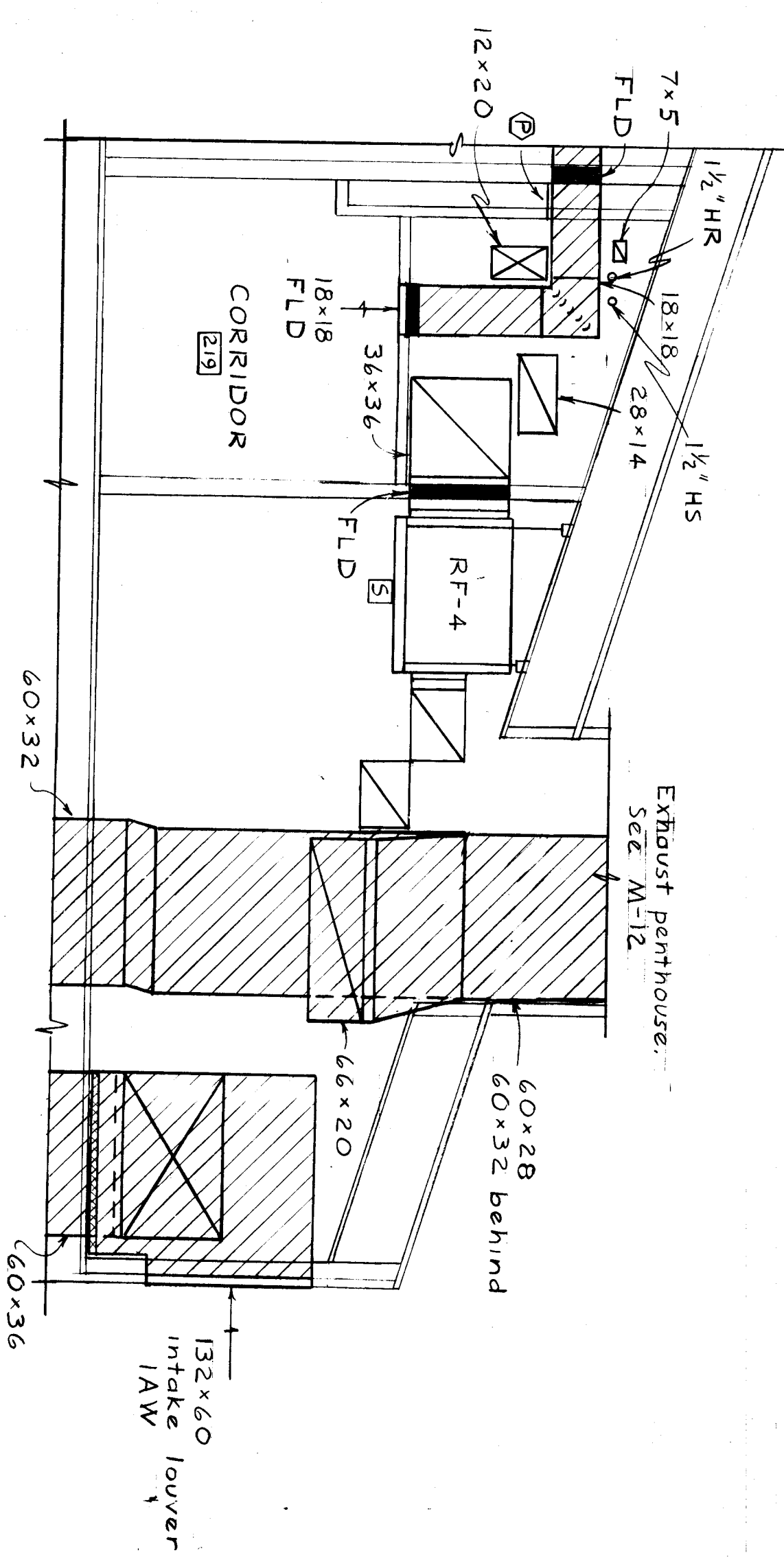
ackley  
jensen  
architects  
P.O. Box 370 Liberal, Kansas



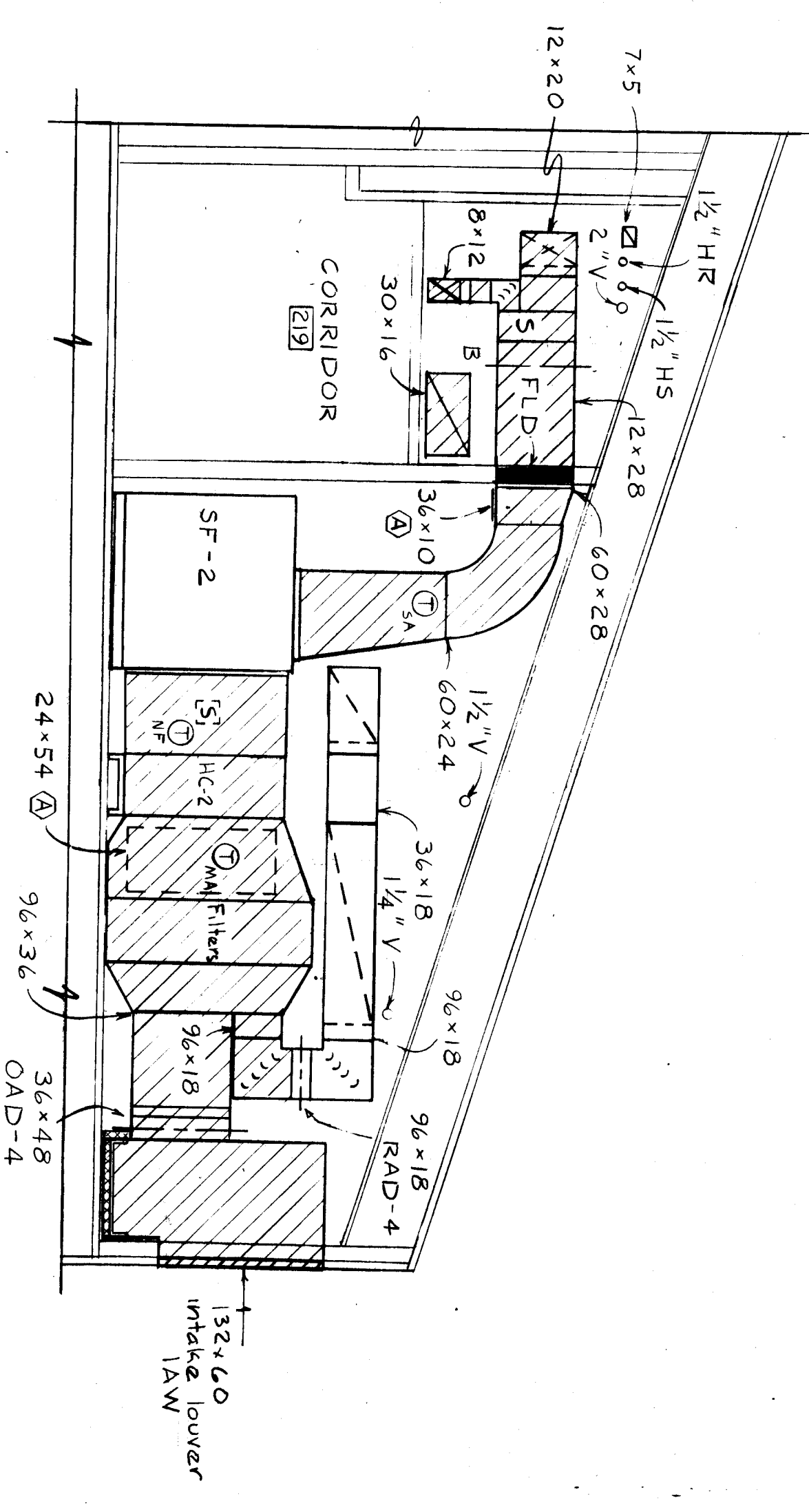
MECHANICAL ROOM 218  
UPPER LEVEL PLAN  
1/4" = 1'-0"



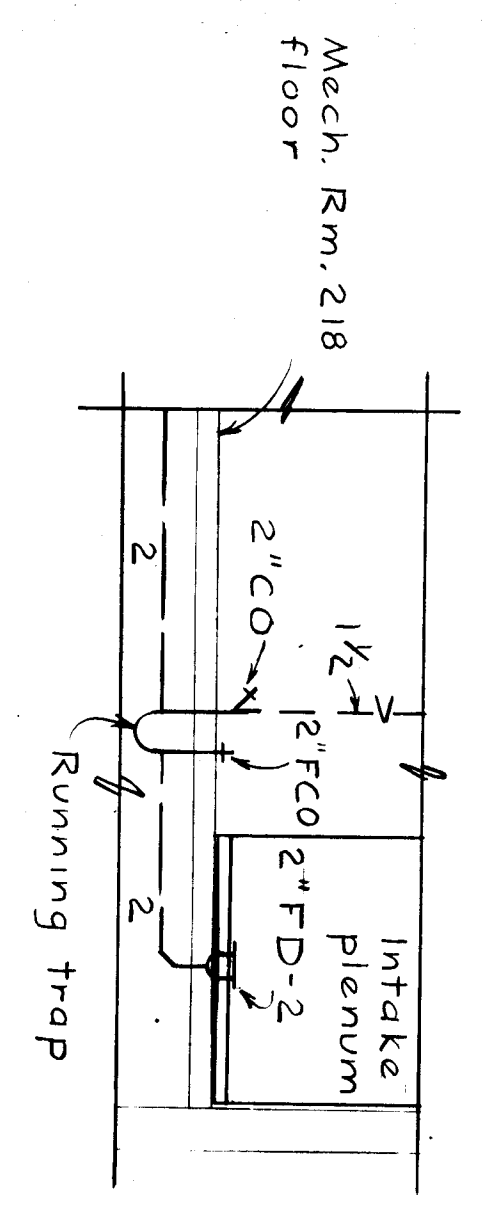
MECHANICAL ROOM 218  
LOWER LEVEL PLAN  
1/4" = 1'-0"



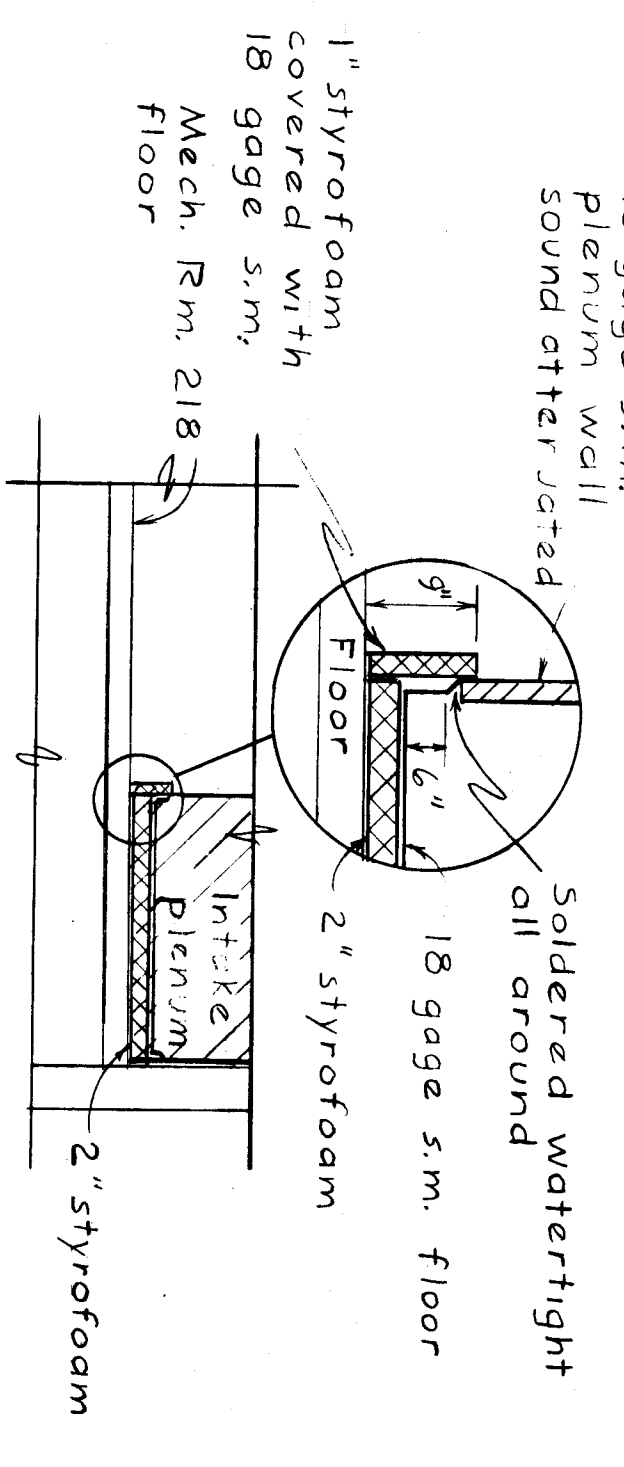
SECTION A-A  
1/4" = 1'-0"



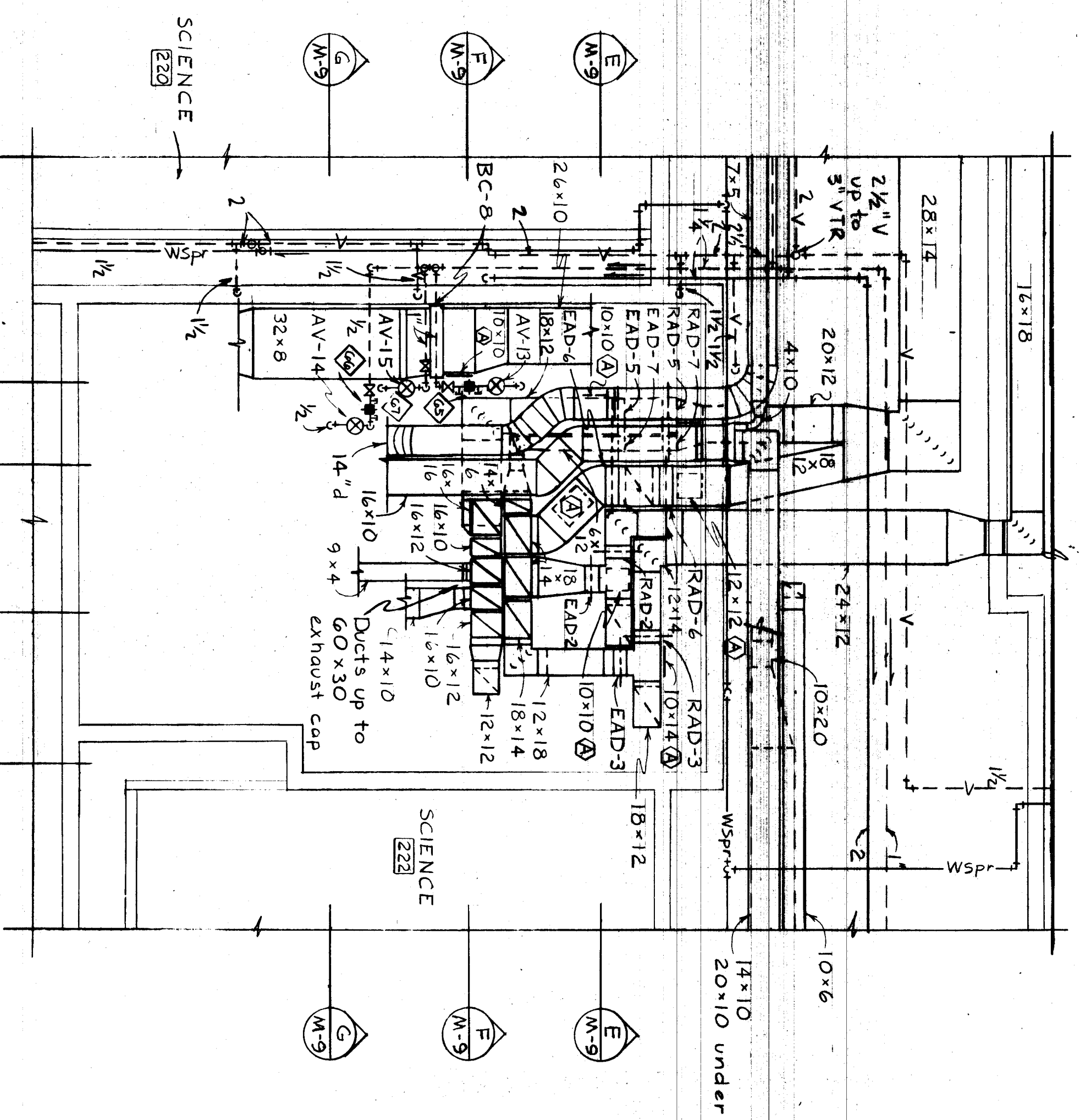
SECTION B-B  
1/4" = 1'-0"



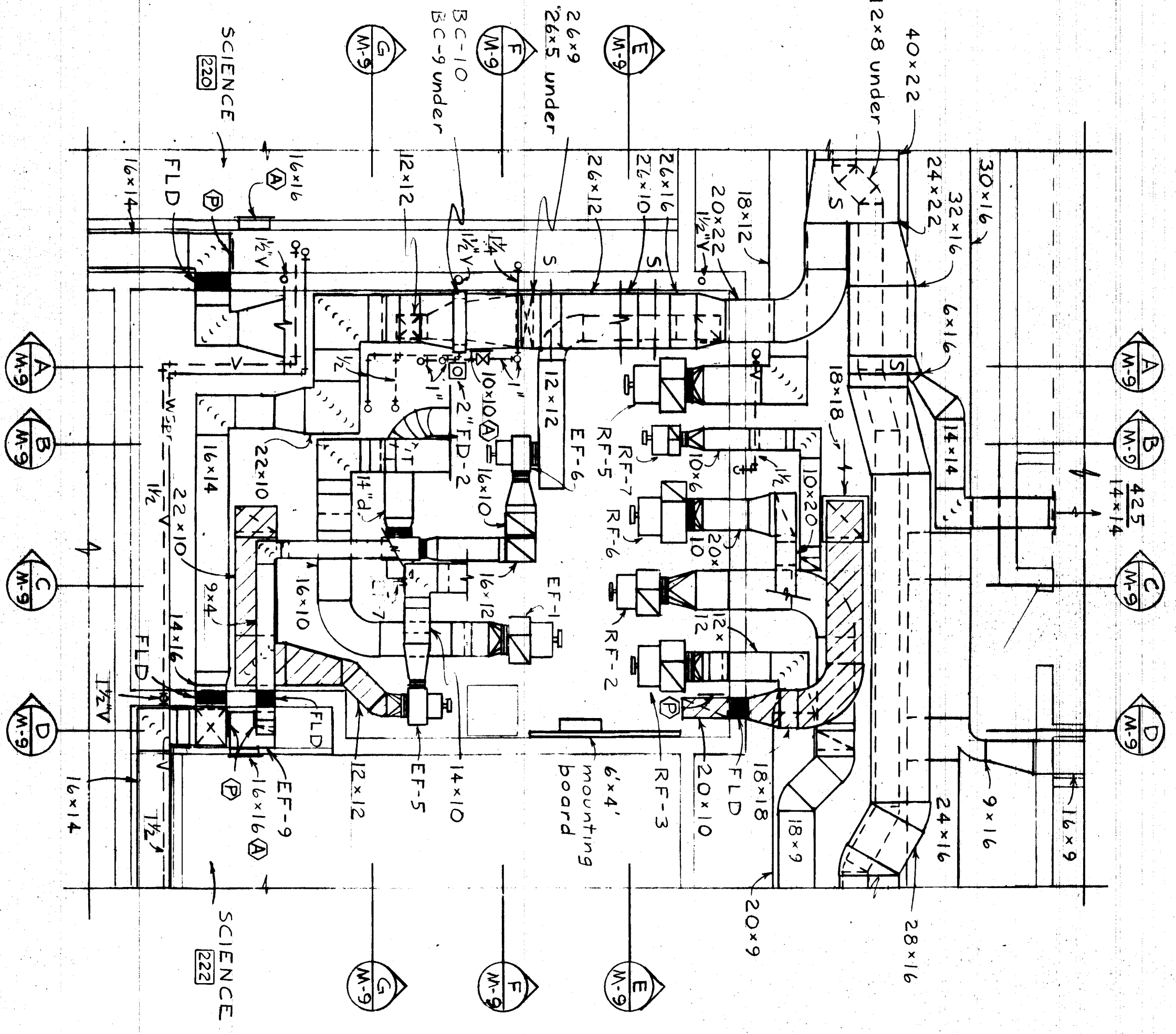
RUNNING TRAP  
DETAIL  
No Scale



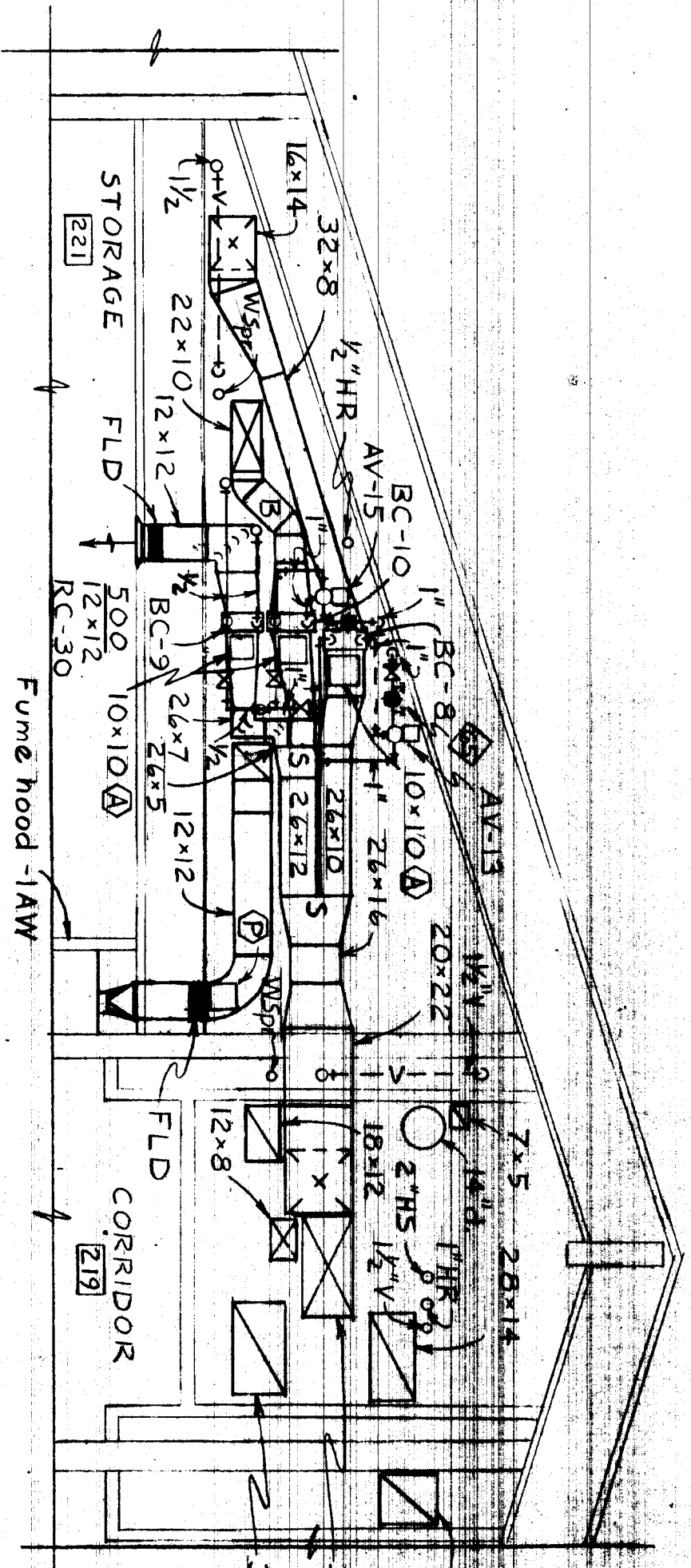
PLENUM INSULATION  
DETAIL  
No Scale



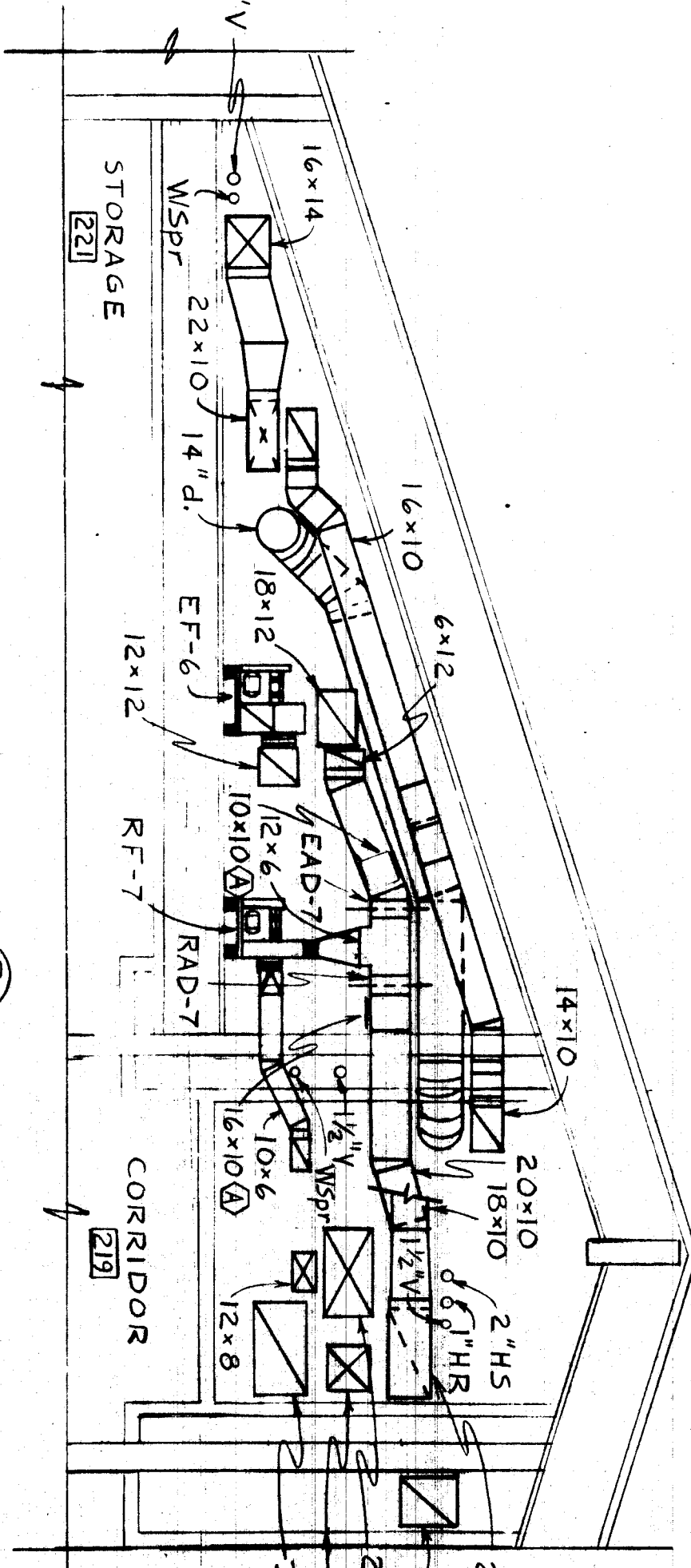
FAN ROOM 238  
UPPER LEVEL PLAN  
1/4" = 1'-0"



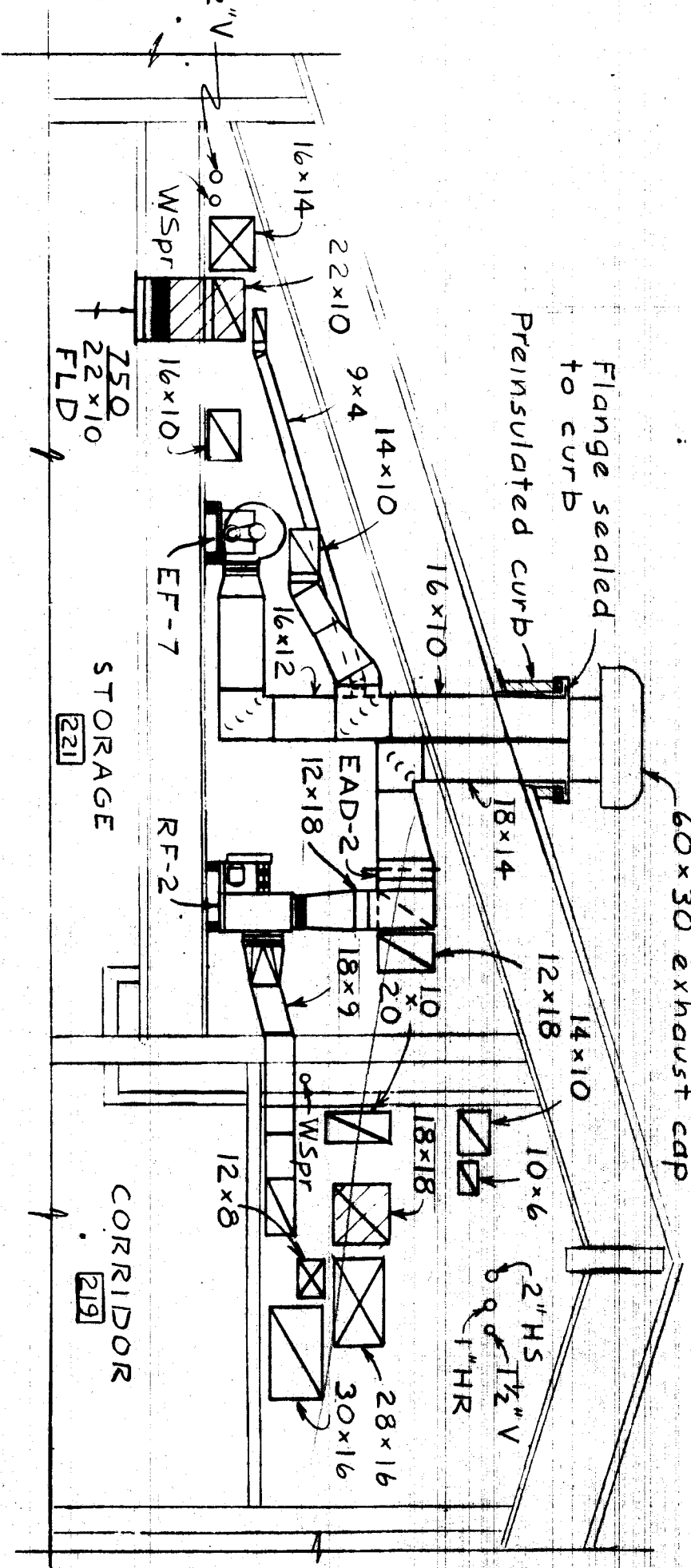
FAN ROOM 238  
LOWER LEVEL PLAN  
1/4" = 1'-0"



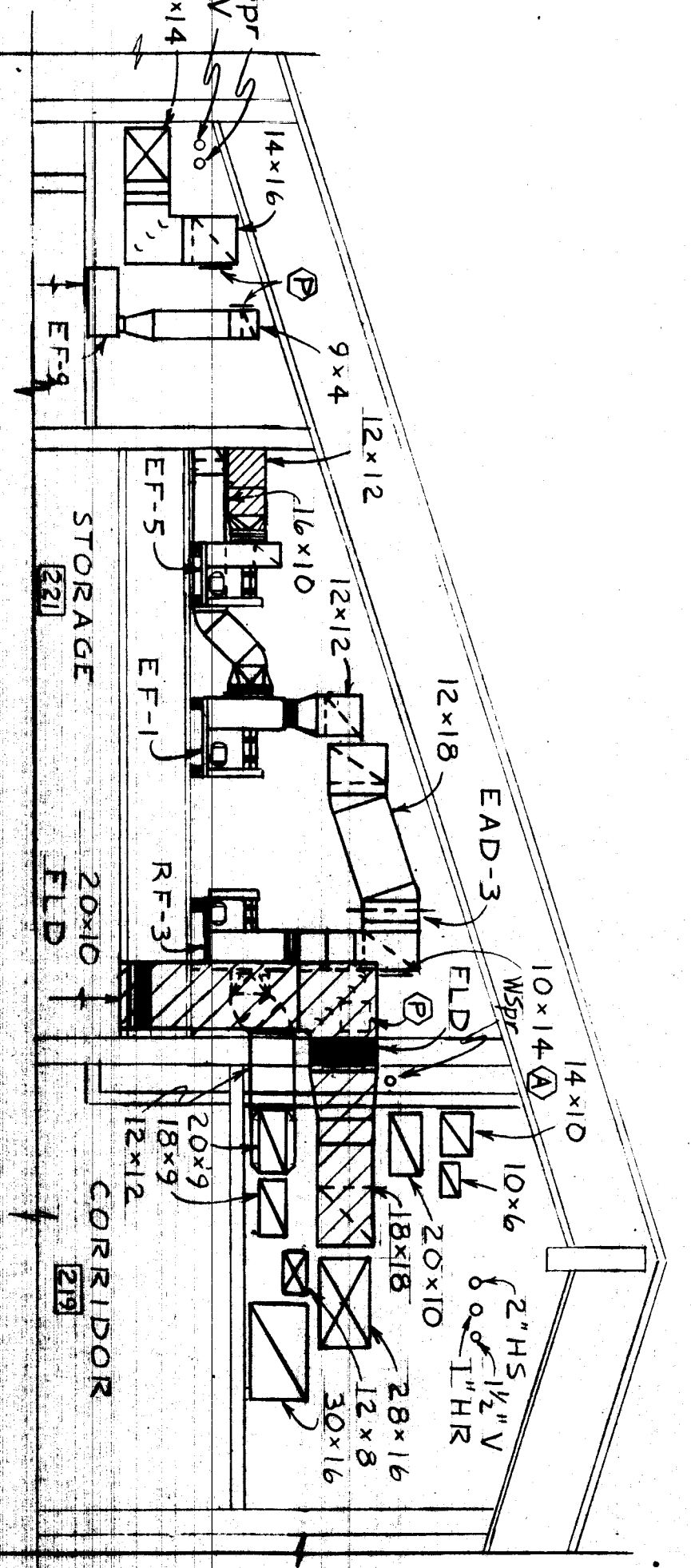
SECTION A  
1/4" = 1'-0"



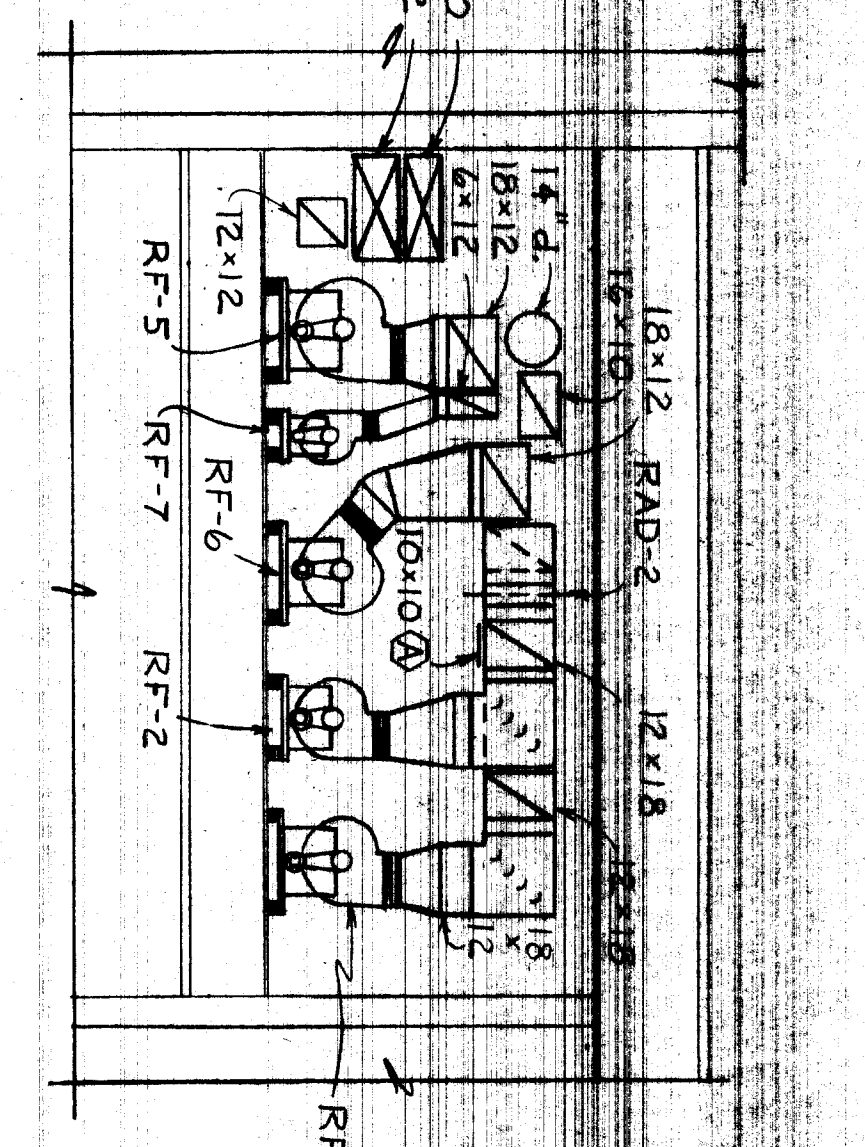
SECTION B  
1/4" = 1'-0"



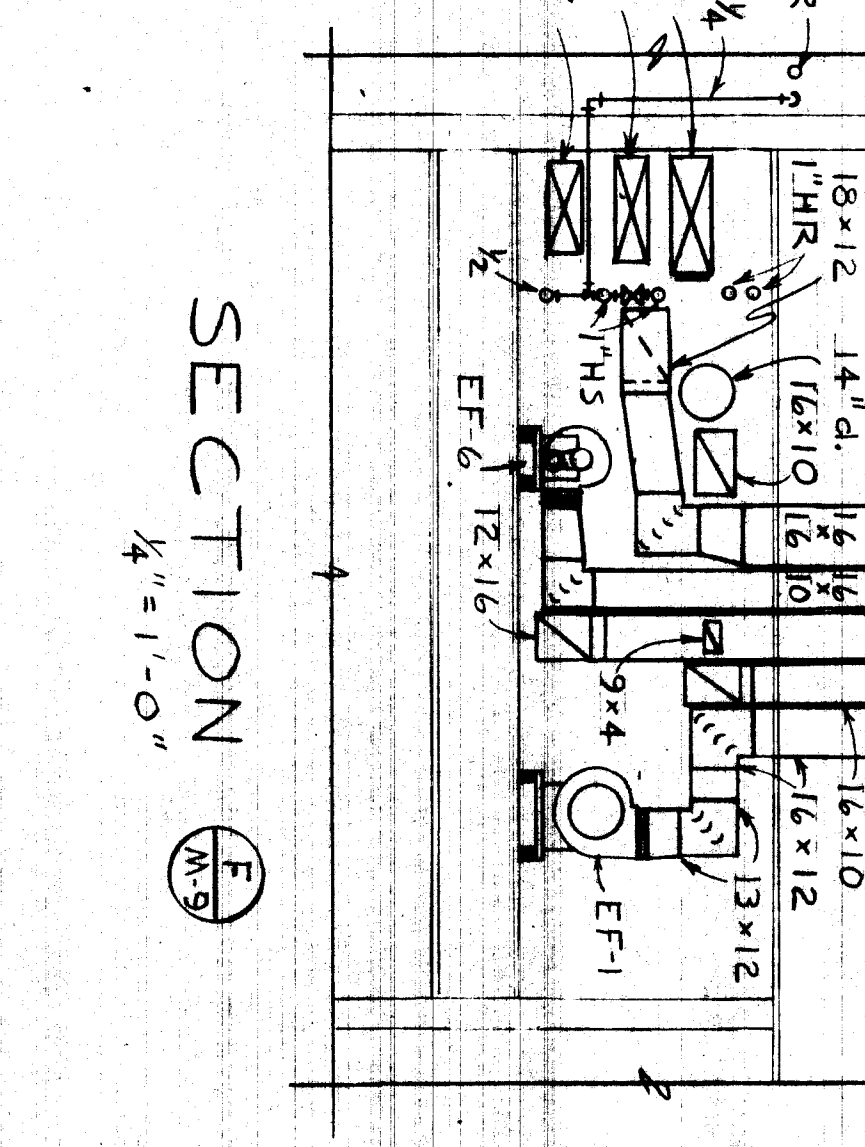
SECTION C  
1/4" = 1'-0"



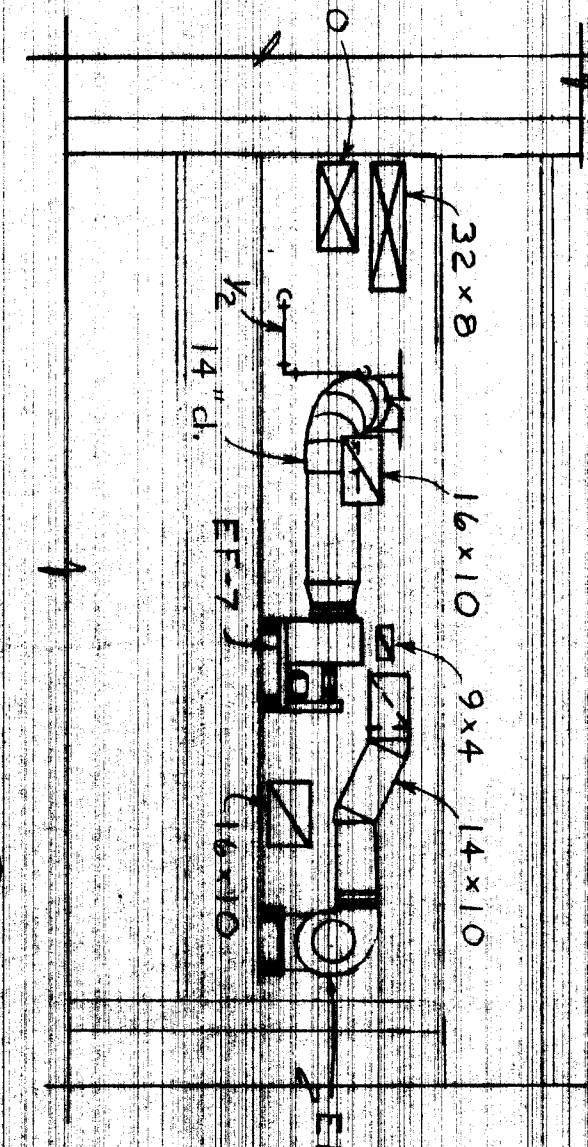
SECTION D  
1/4" = 1'-0"



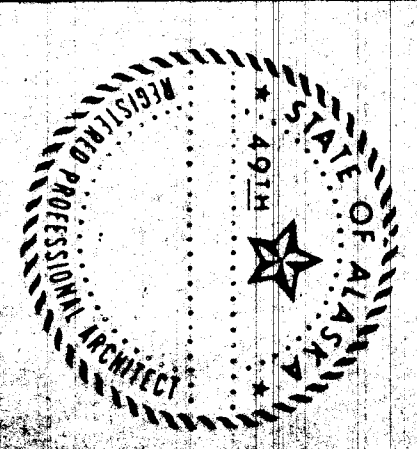
SECTION E  
1/4" = 1'-0"



SECTION F  
1/4" = 1'-0"



SECTION G  
1/4" = 1'-0"

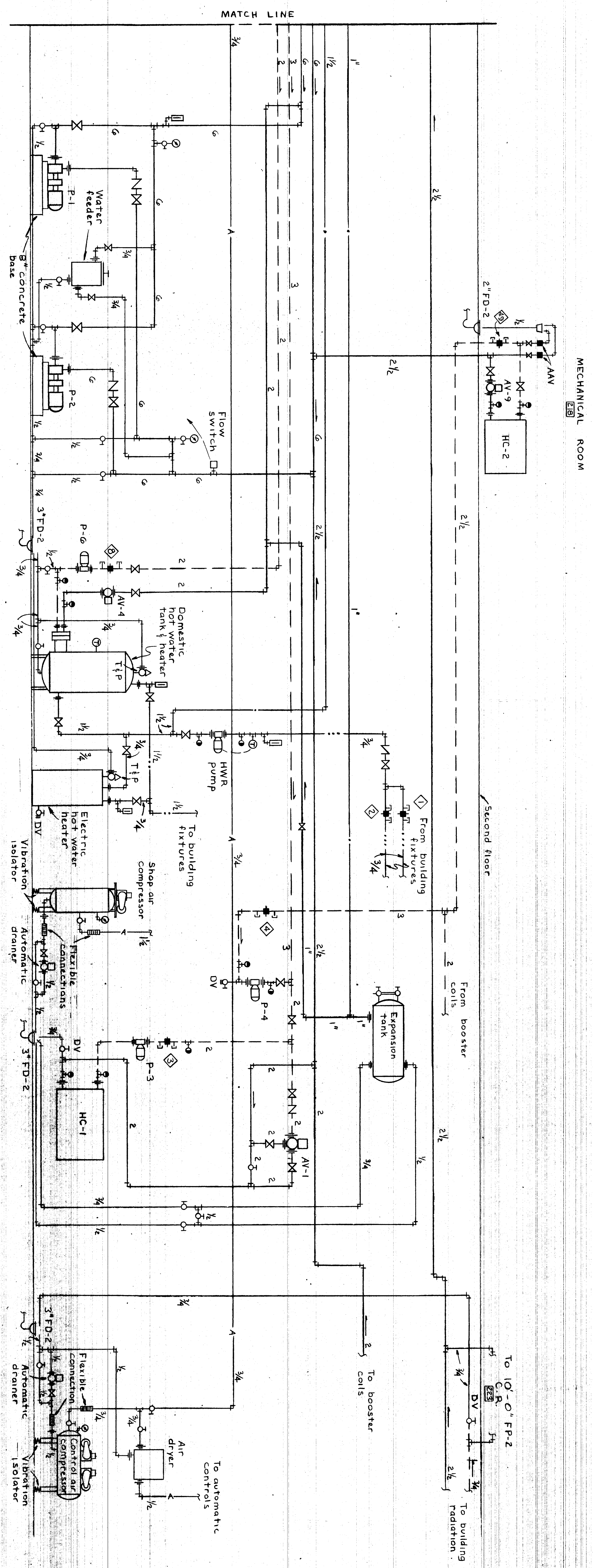
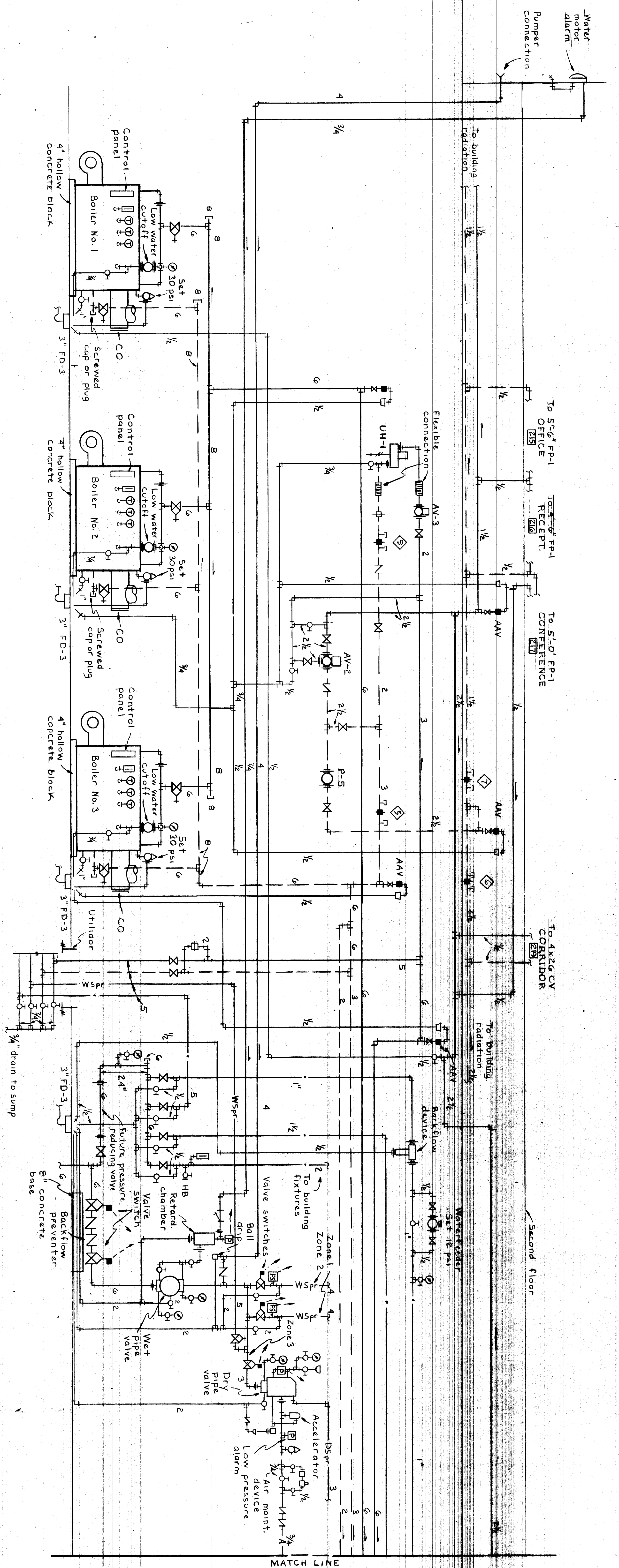


**ackley  
jensen  
architects inc**

WRANGELL  
HIGH SCHOOL  
JOB NO. 348  
DRAWN BY:  
TITLE:  
Fan Room

M-9

June



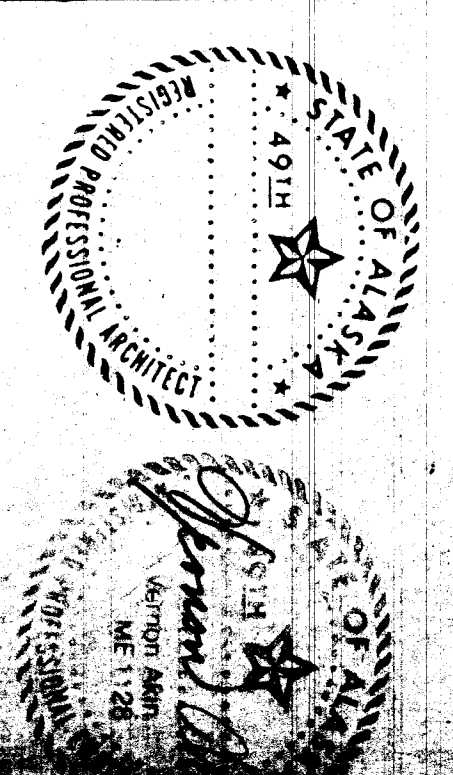
MECHANICAL ROOM II - PIPING DIAGRAM

No. Scale

JOB NO. - 348  
 DRAWN BY:  
 TITLE:  
 Mechanical Room  
 Piping Diagram

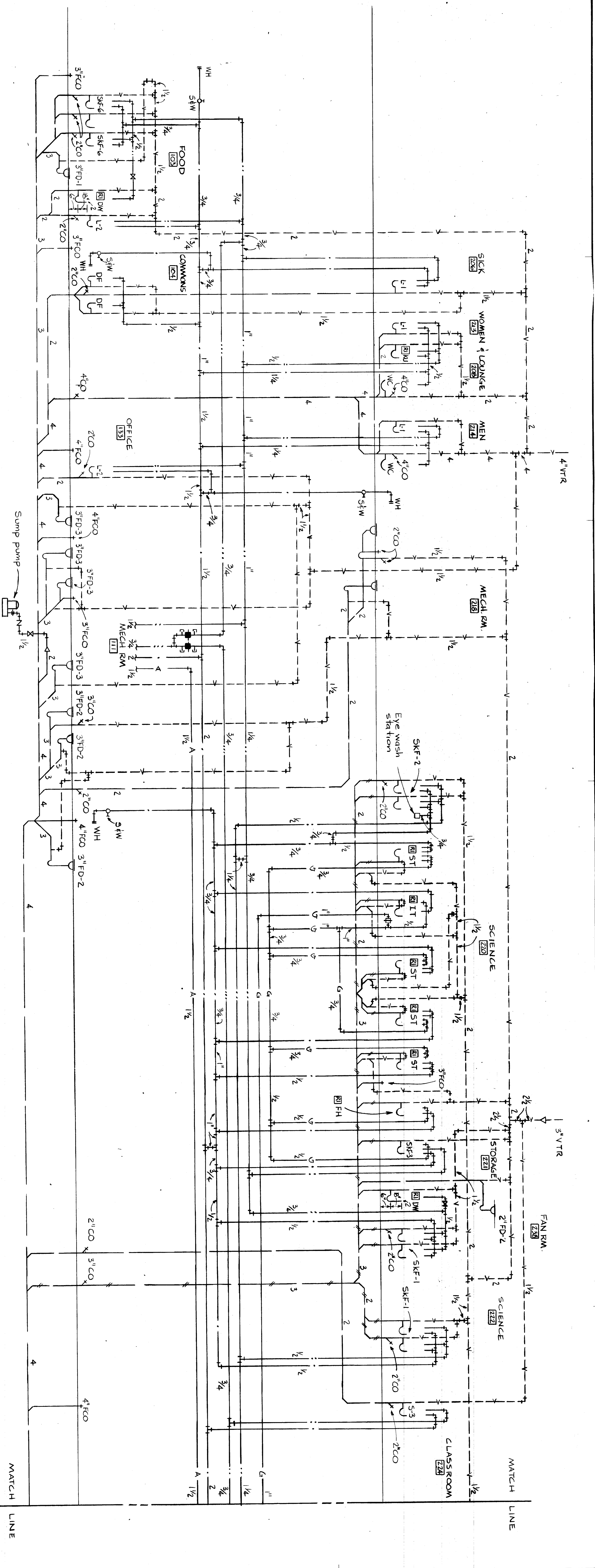
SHEET NO. M-10

DATE: June 15, 1960

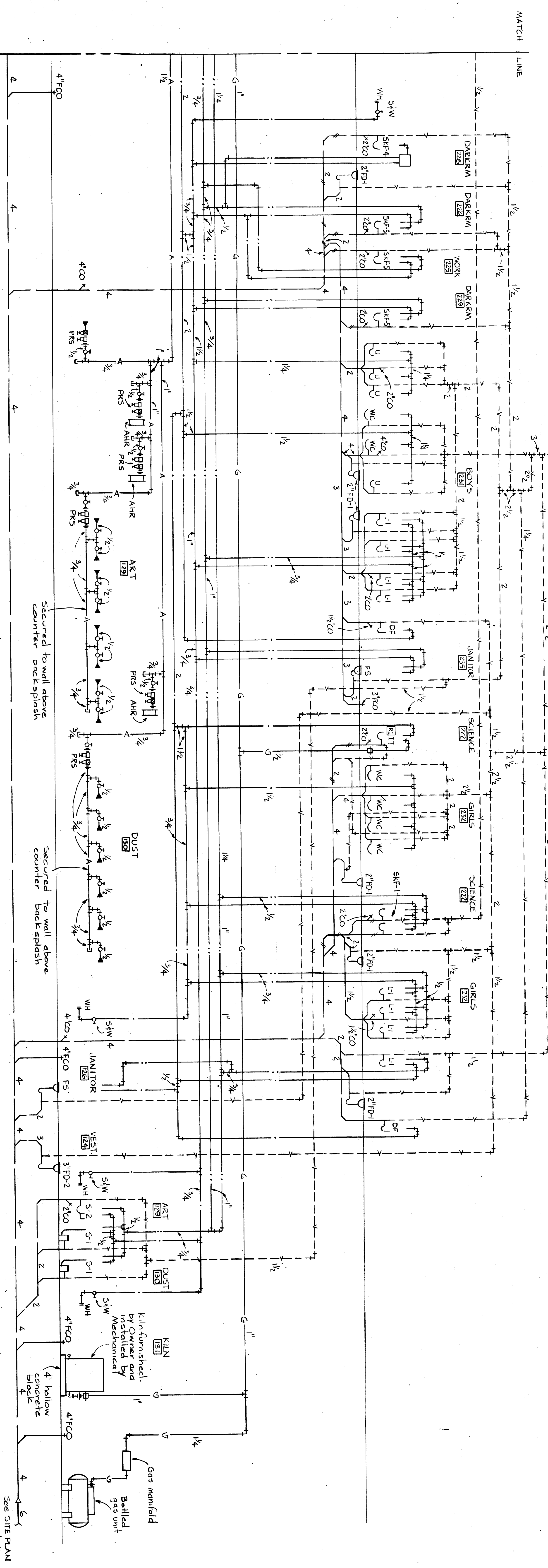


WRANGELL  
 HIGH SCHOOL

ackley  
 Jensen  
 architects inc



PLUMBING DIAGRAM  
No SCALE



PLUMBING DIAGRAM  
No SCALE

Secured to wall above counter backsplash  
Secured to wall above counter backsplash

Kiln furnished by Owner and installed by Mechanical  
4" hollow concrete block  
Gas manifold  
Boiled gas unit  
See SITE PLAN on sheet M-1

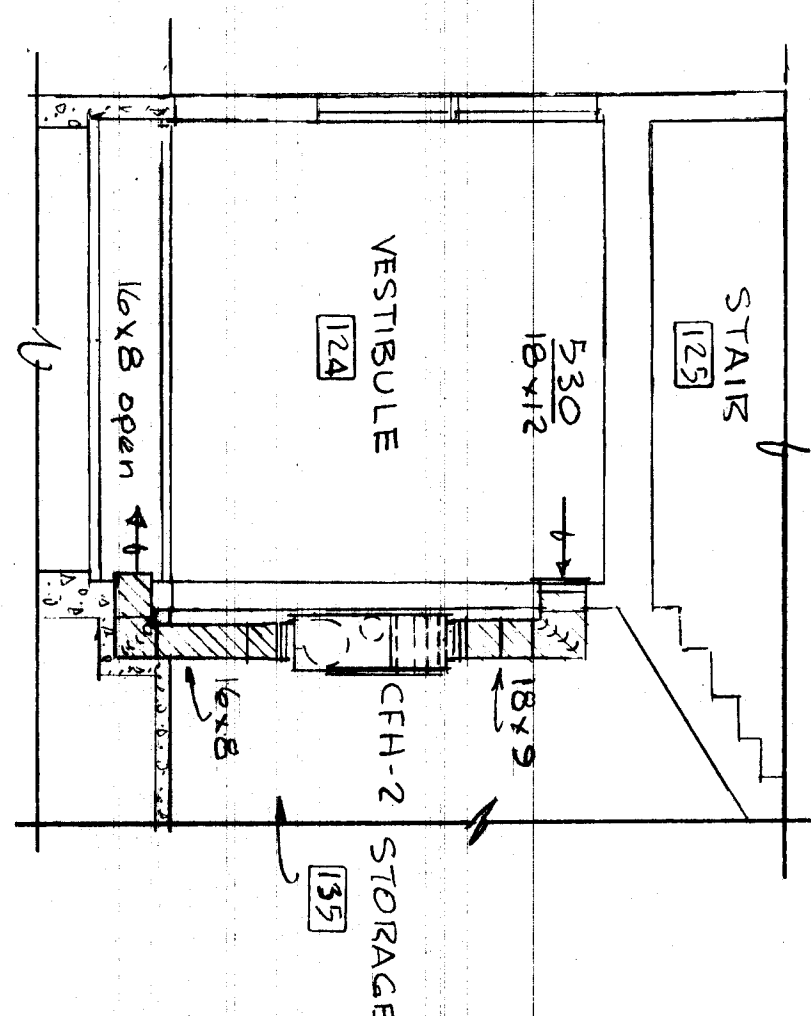
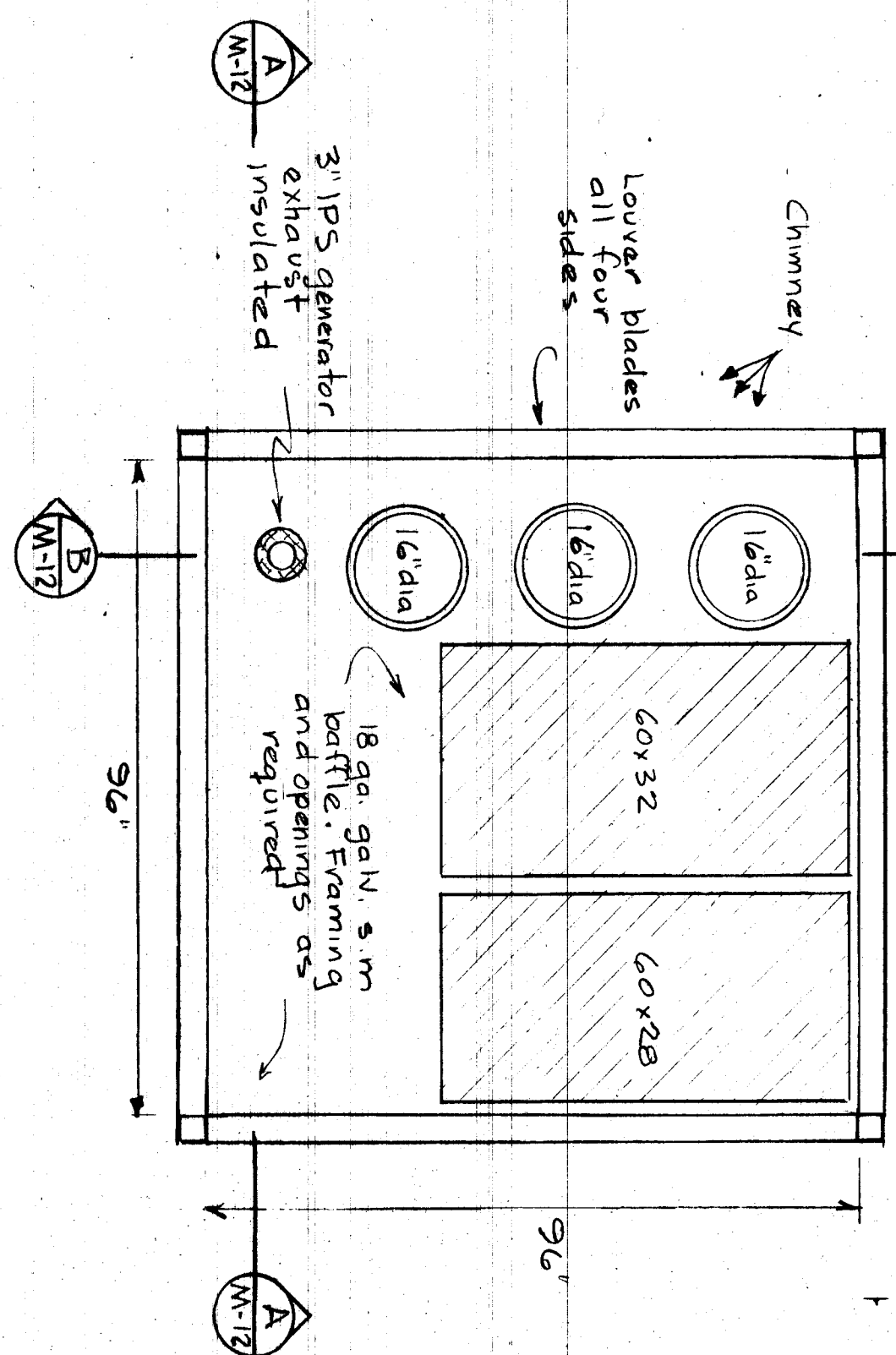
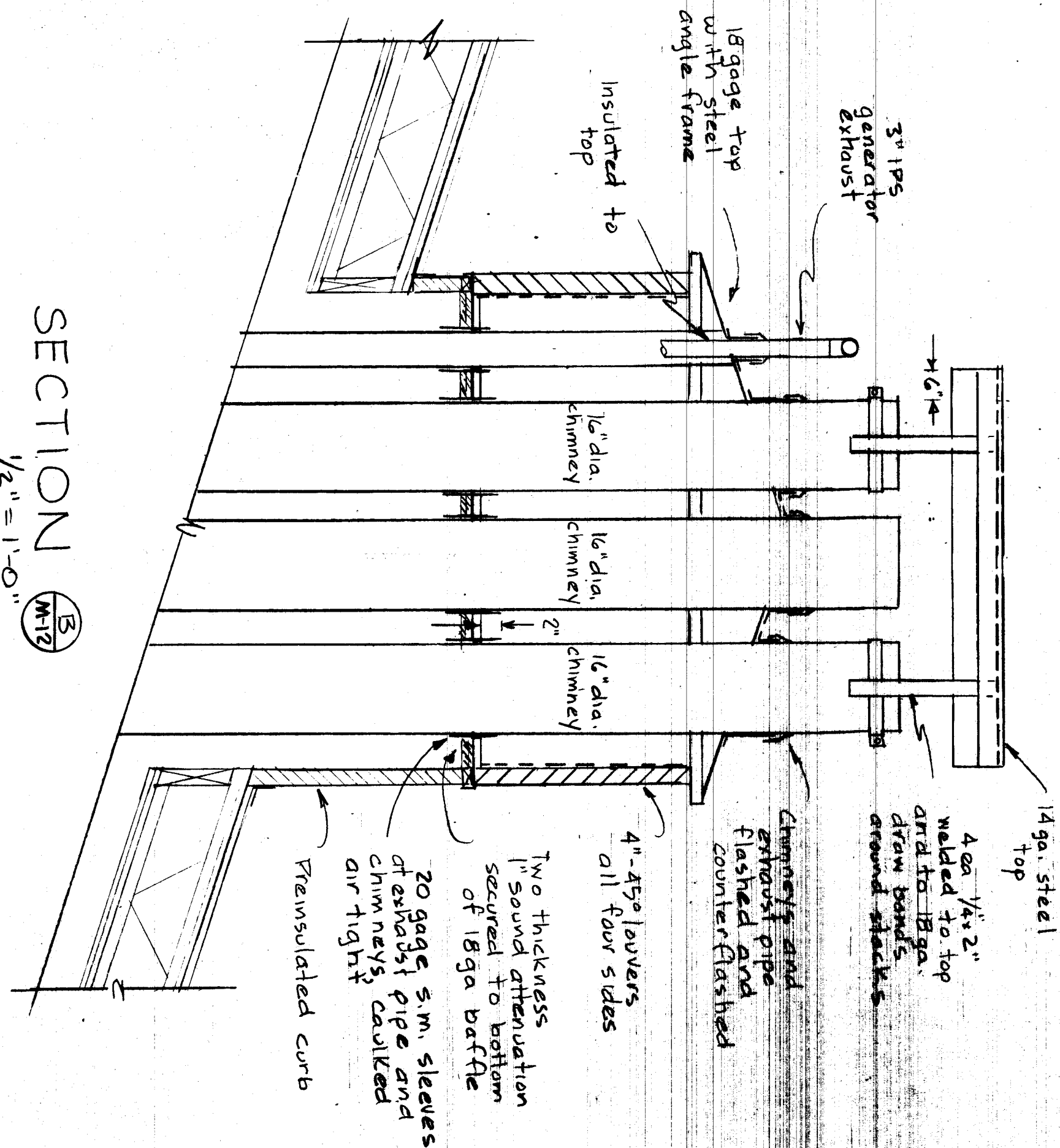
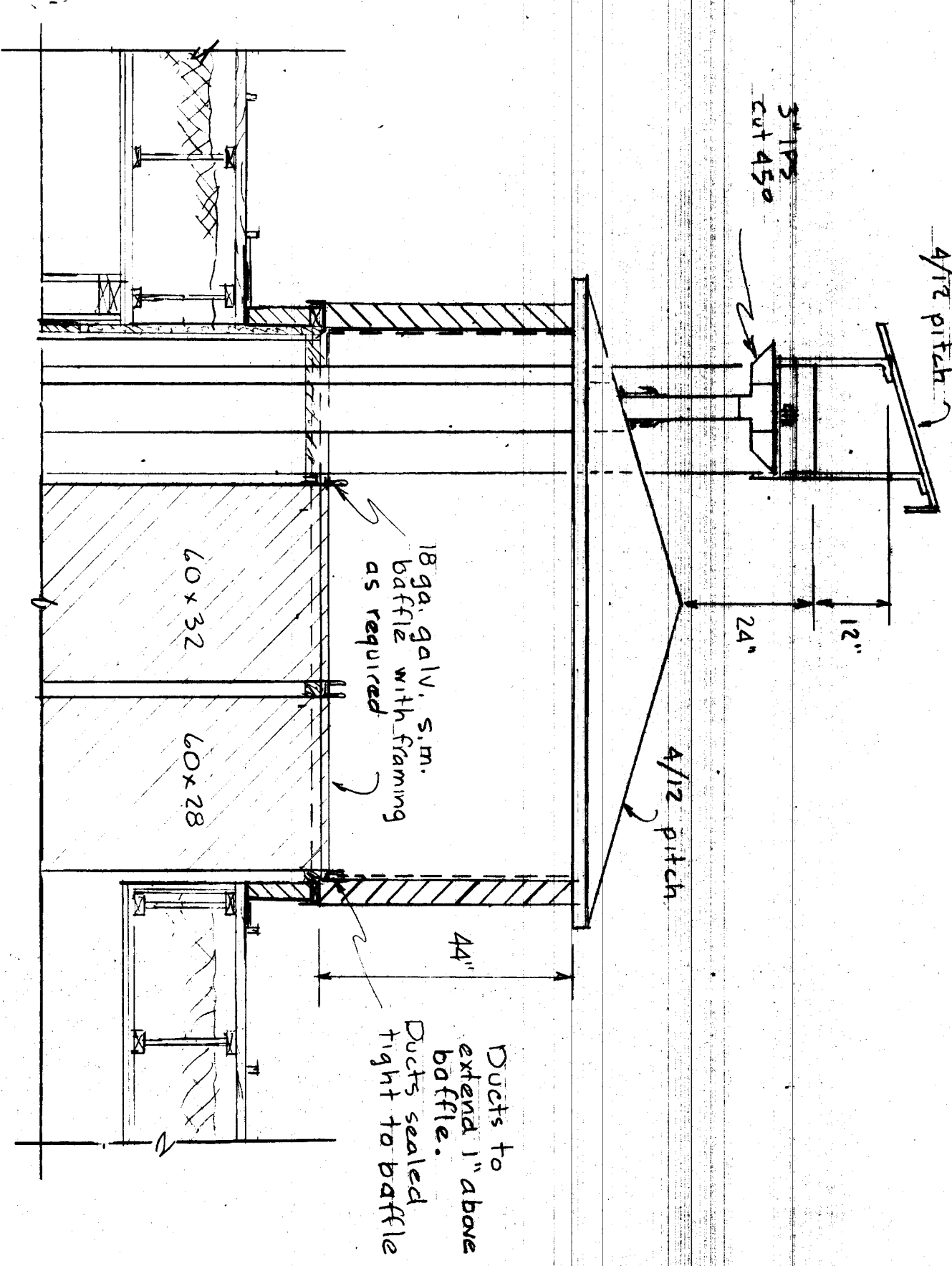
**ackley jensen architects inc.**  
P.O. box 310 Juneau, Alaska, 99802



**WRANGELL HIGH SCHOOL**

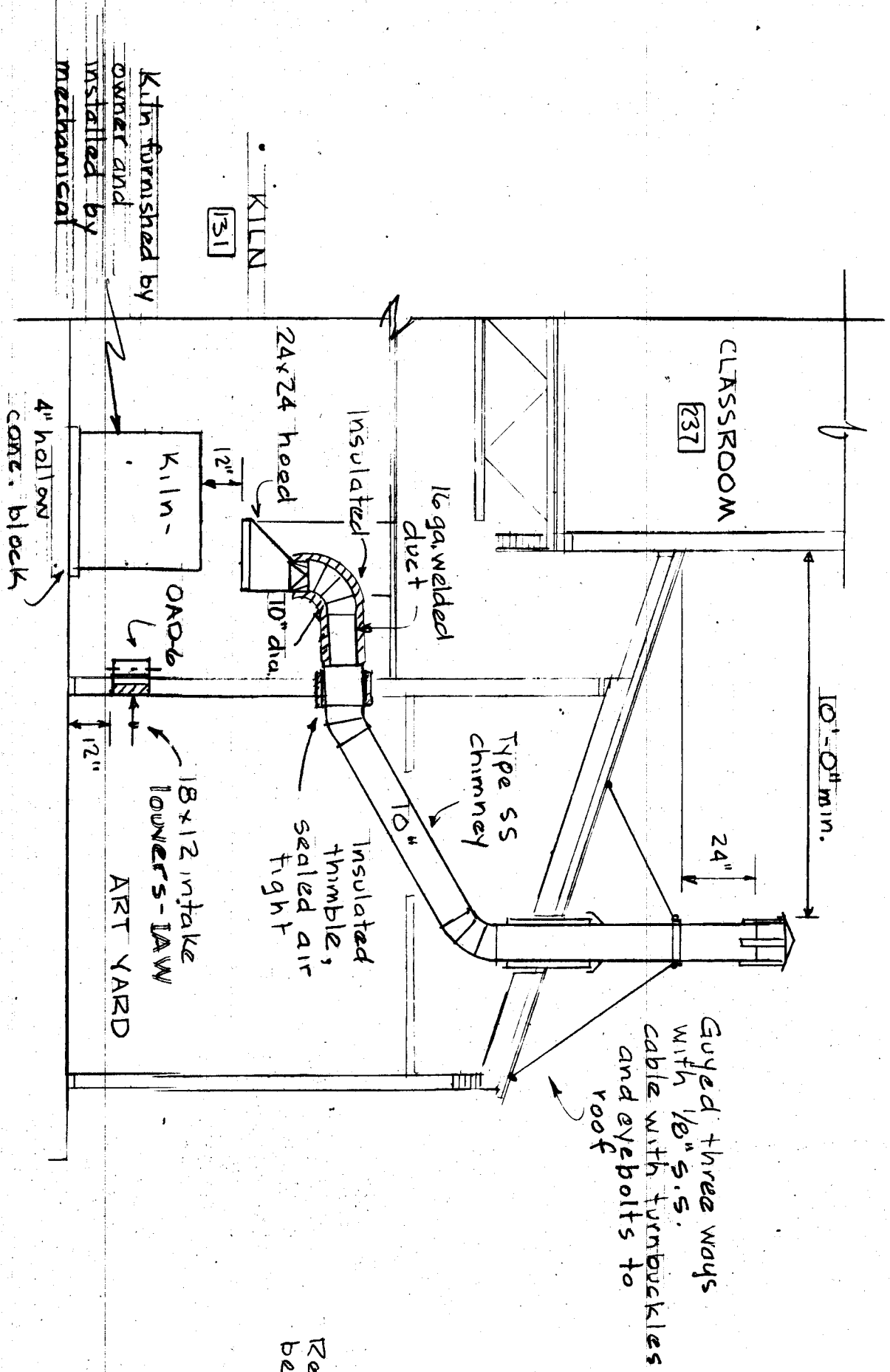
JOB NO. 349  
DRAWN BY:  
TITLE: **Plumbing Piping Diagram**

SHEET NO.: **M-11**  
DATE: June 15, 1984

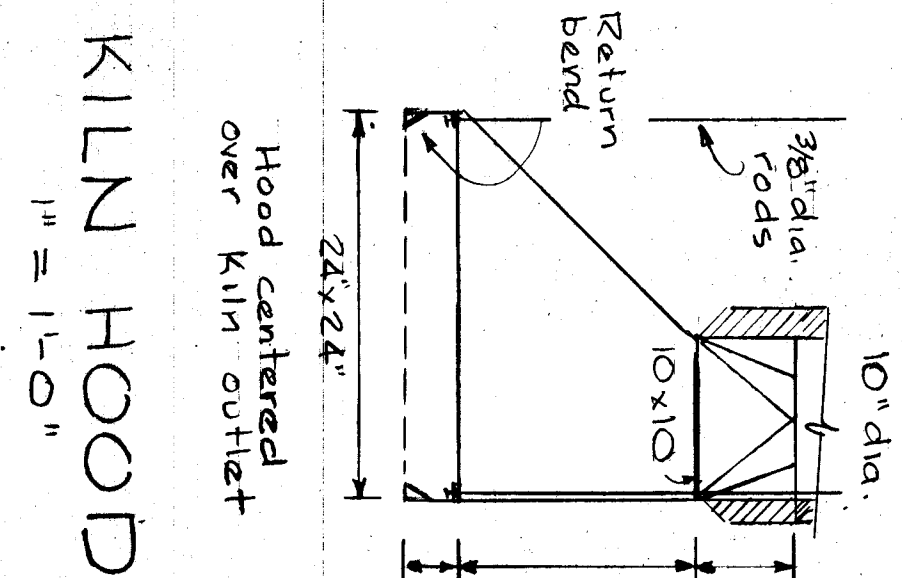


EXHAUST PENTHOUSE PLAN  
1/2" = 1'-0"

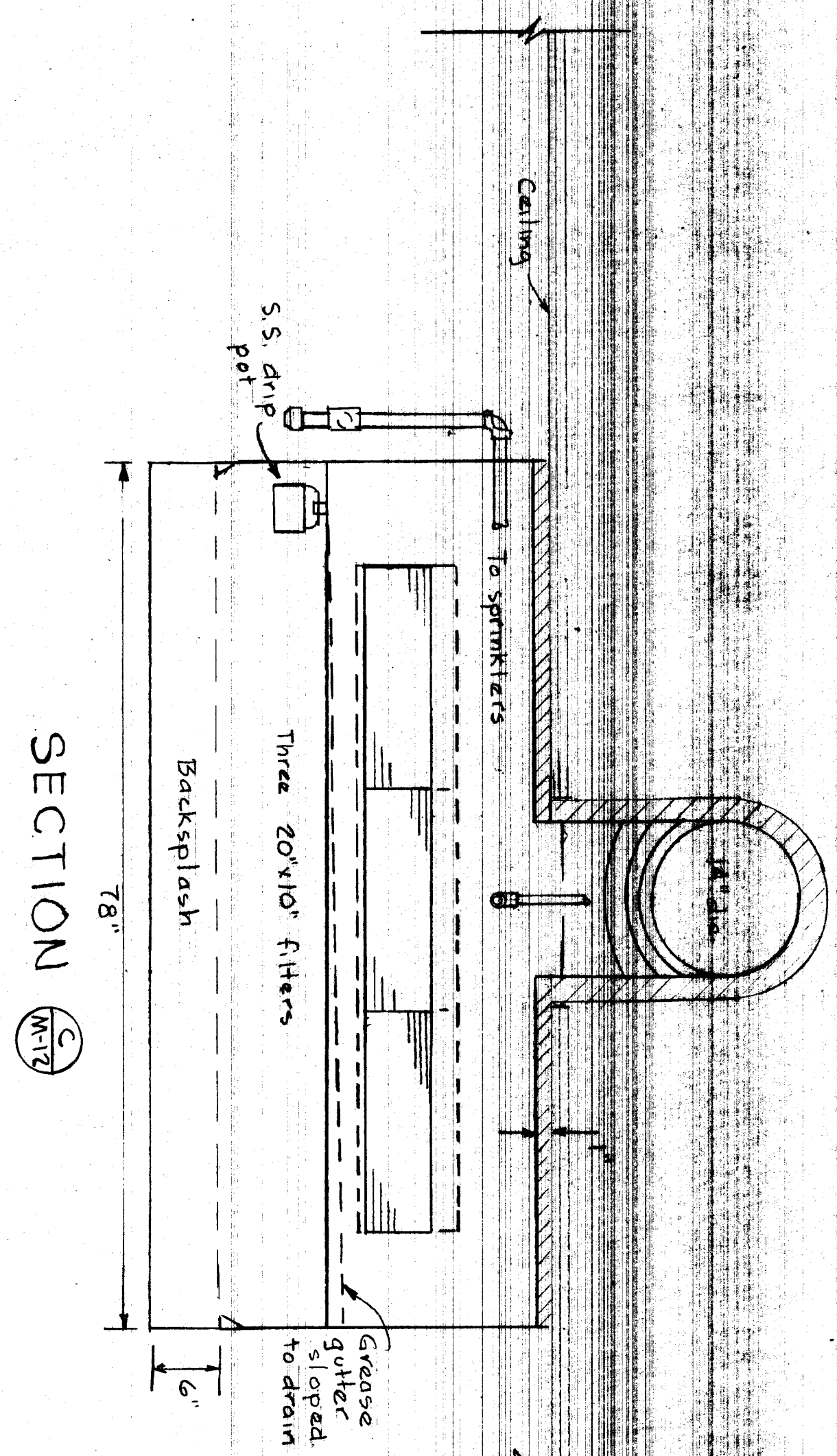
CFH-2 DETAIL  
1/2" = 1'-0"



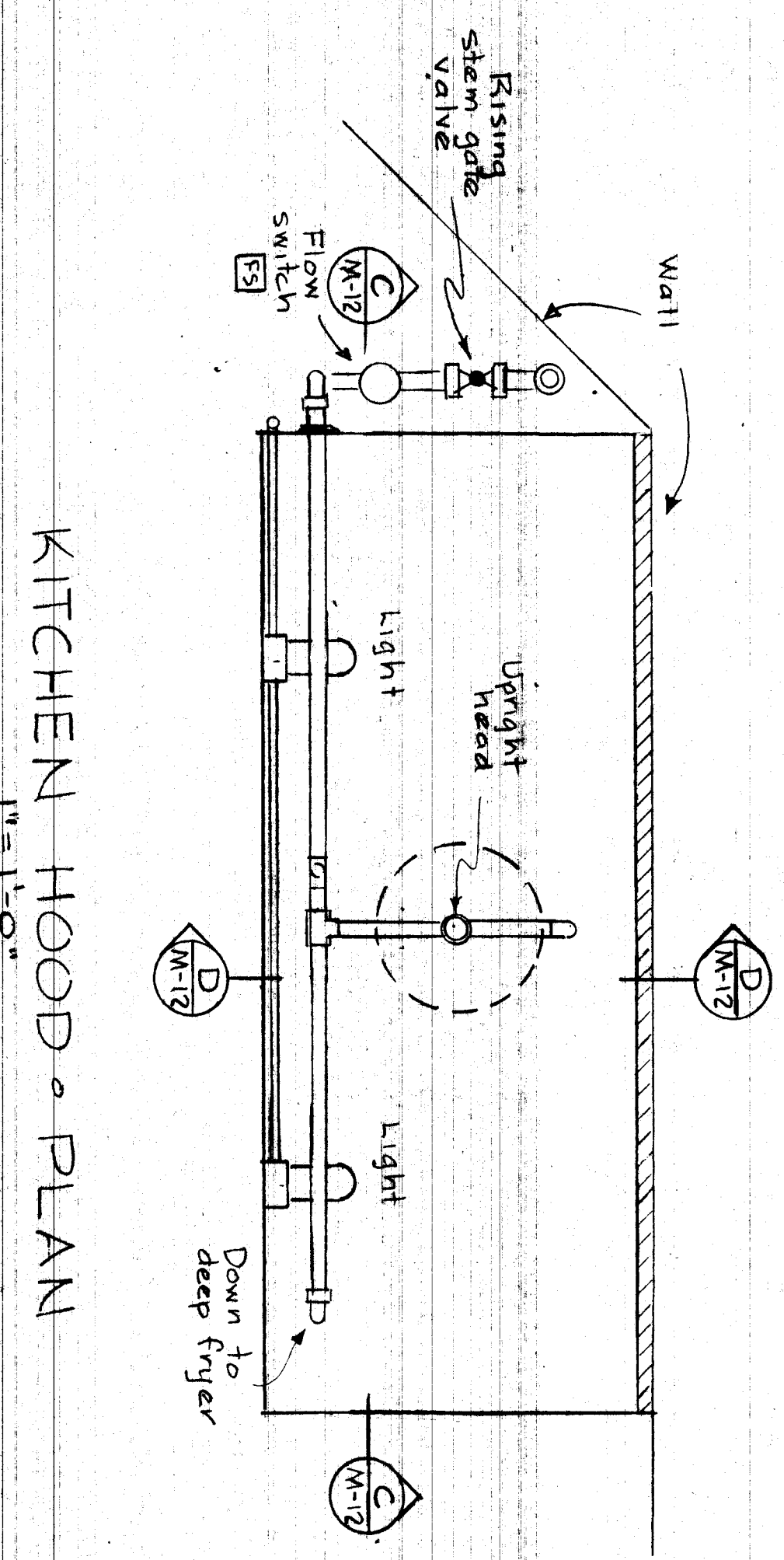
SECTION C-C  
1/2" = 1'-0"



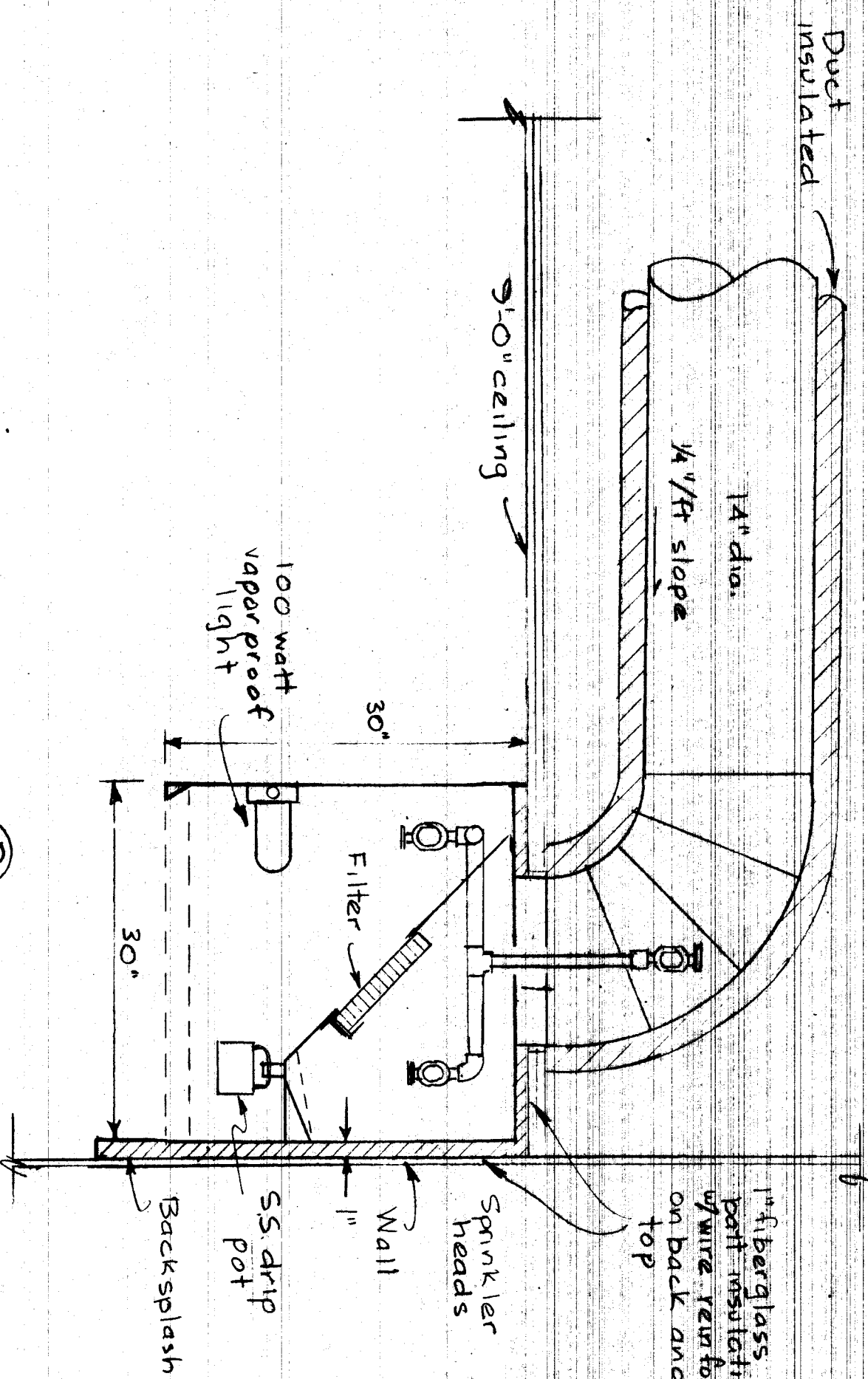
KILN HOOD  
1/2" = 1'-0"



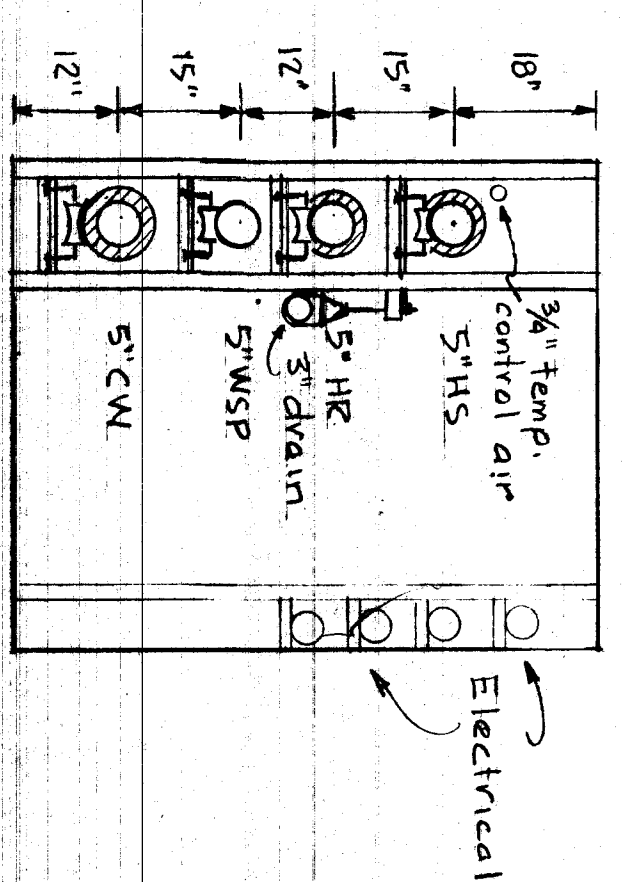
SECTION D-D  
1/2" = 1'-0"



KITCHEN HOOD - PLAN  
1/2" = 1'-0"

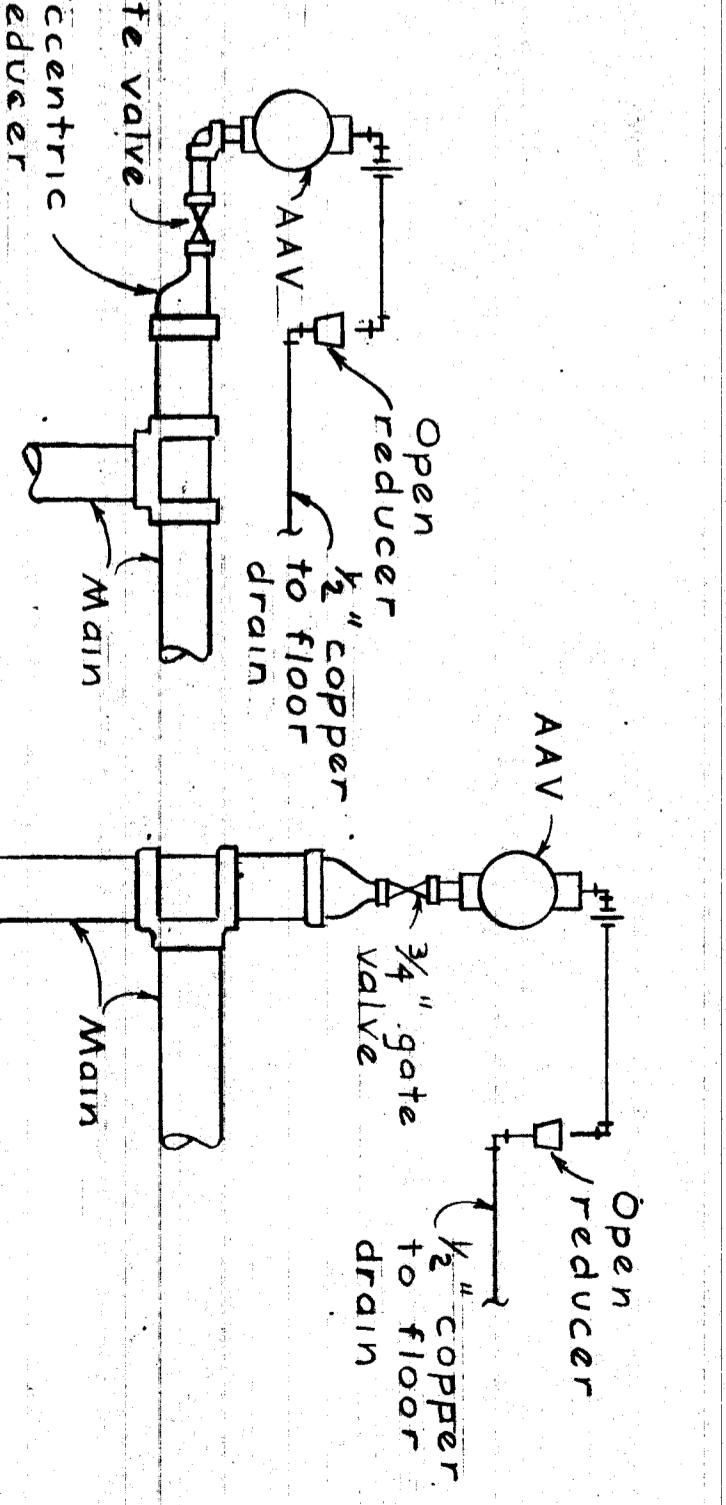
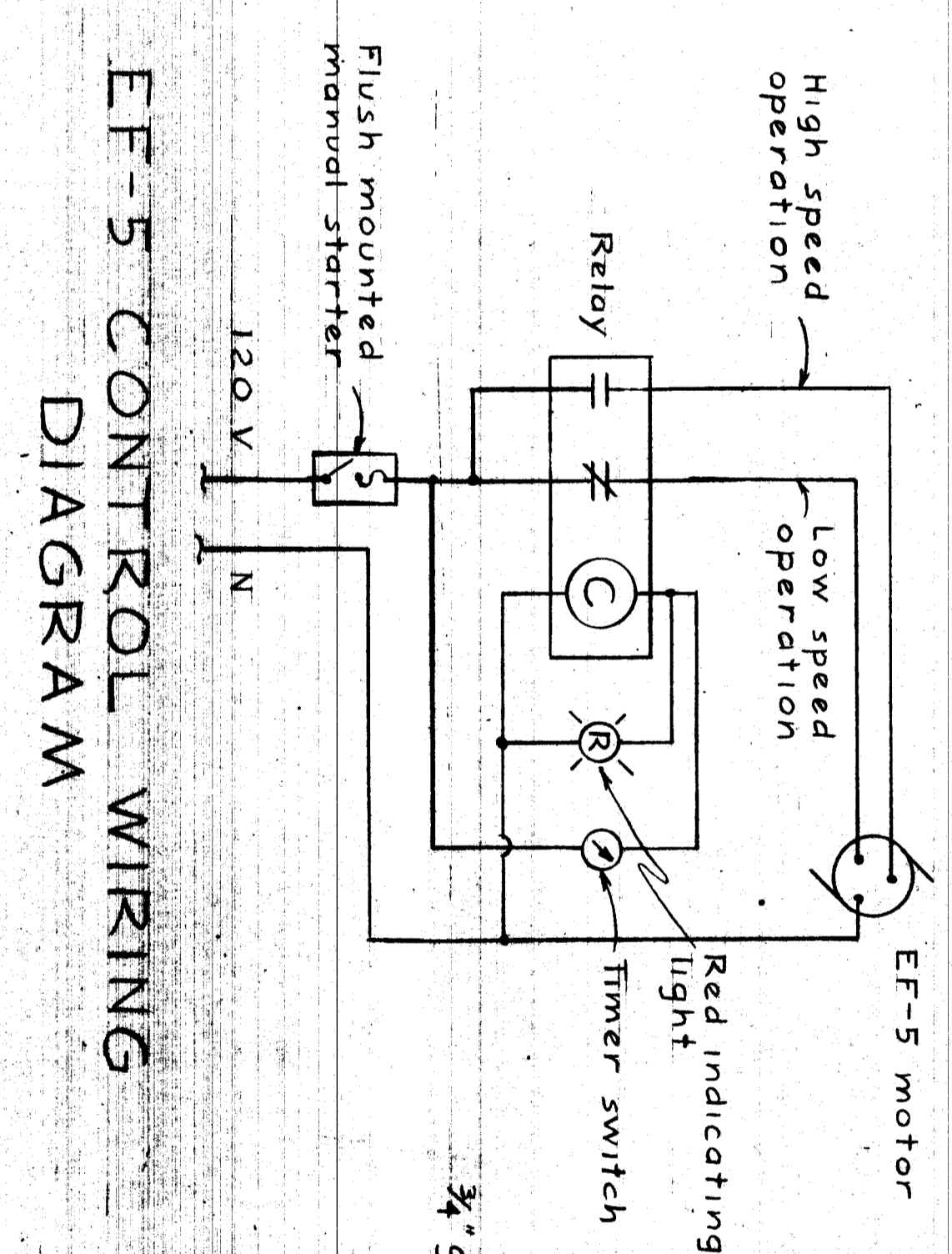
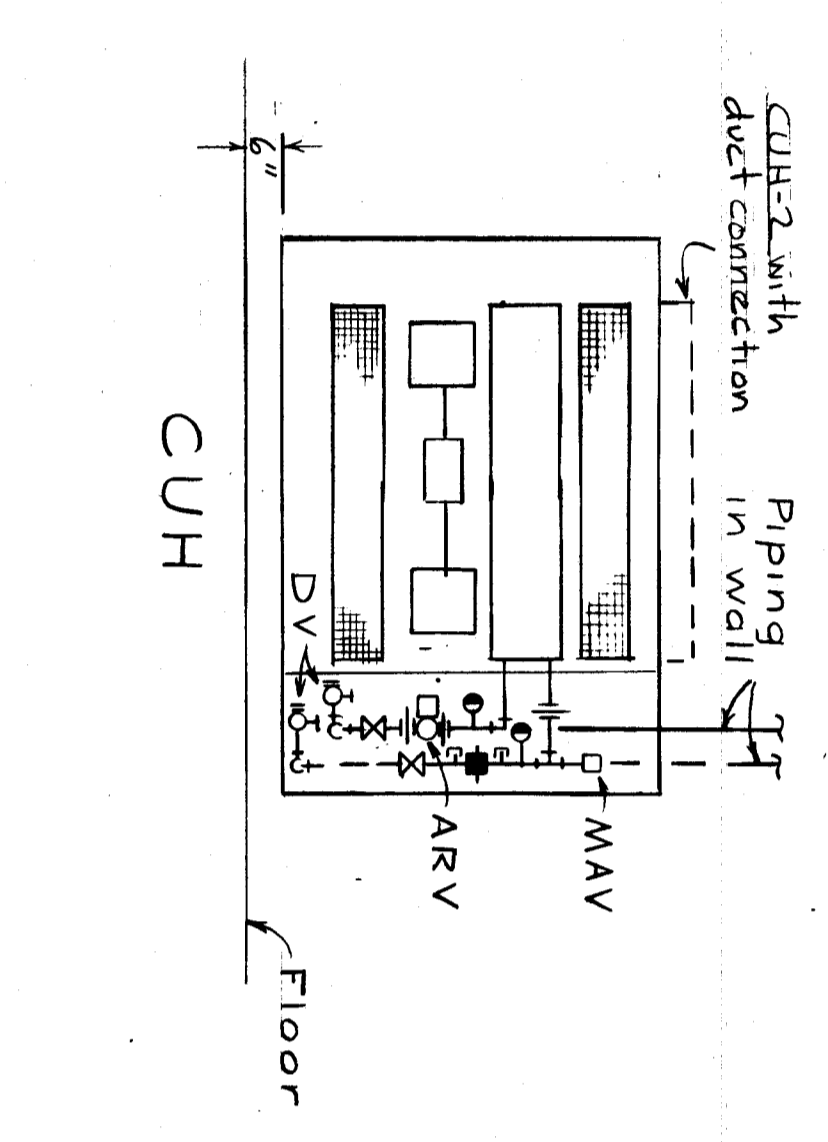
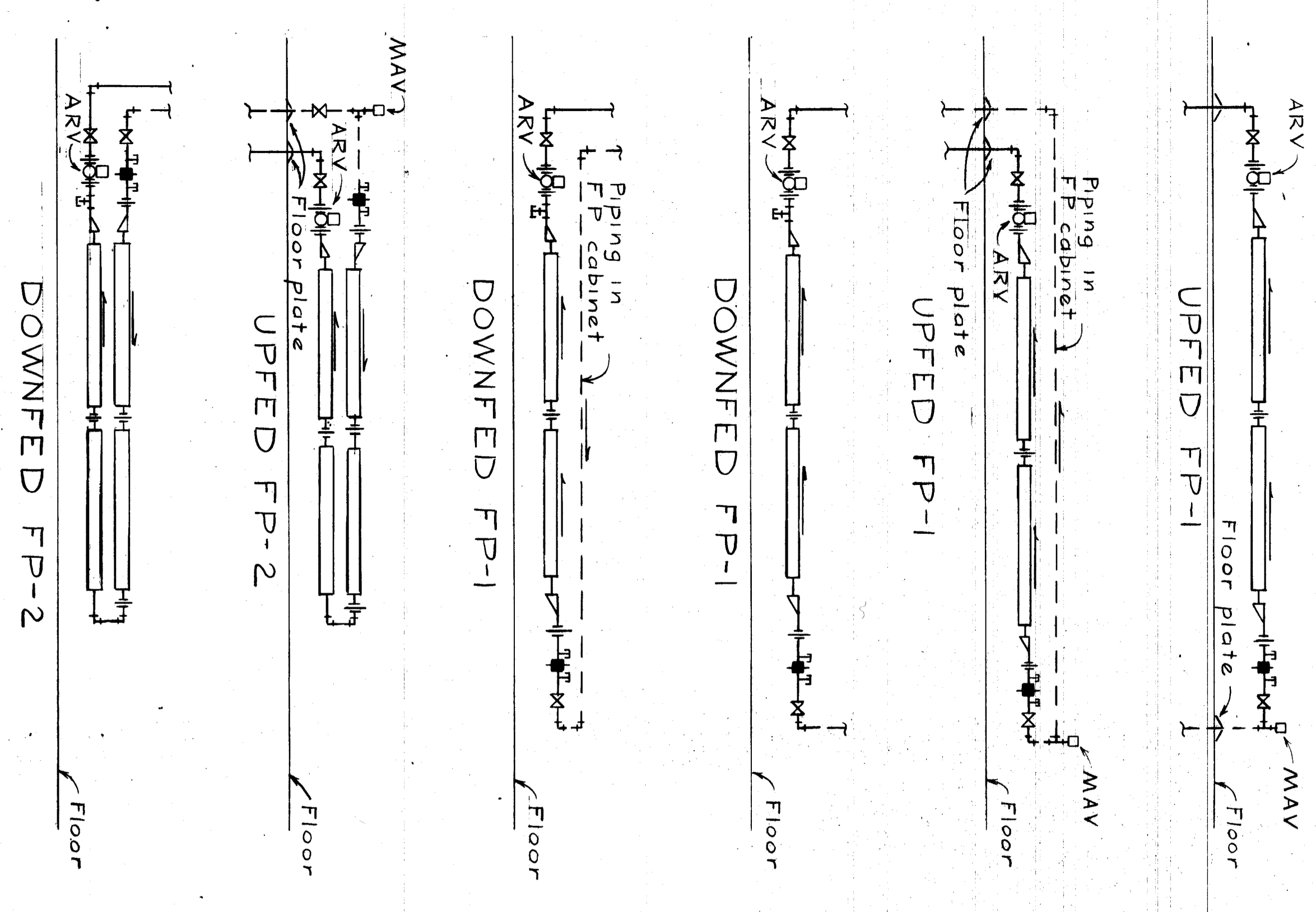
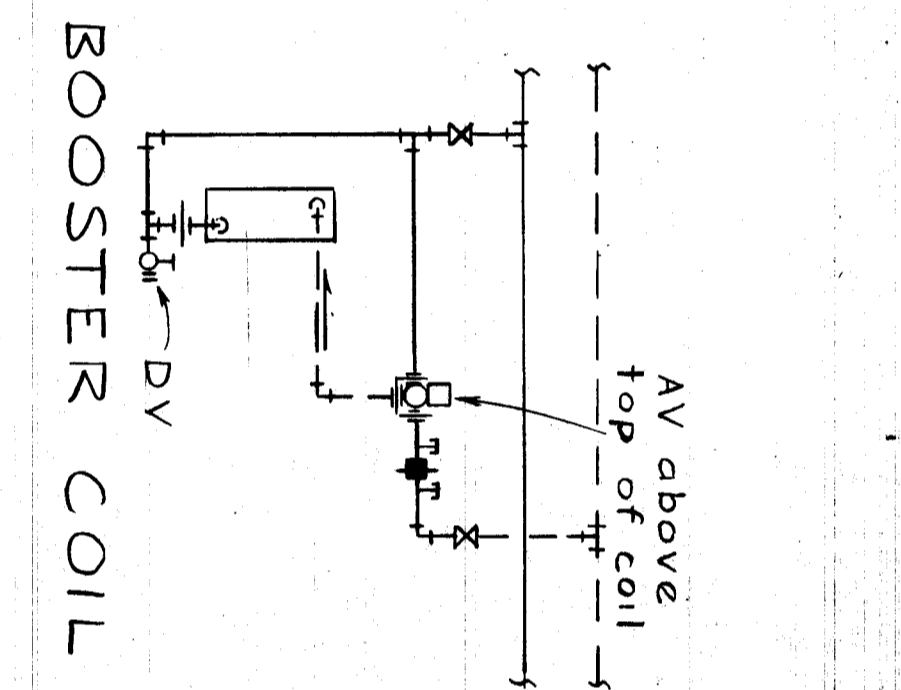
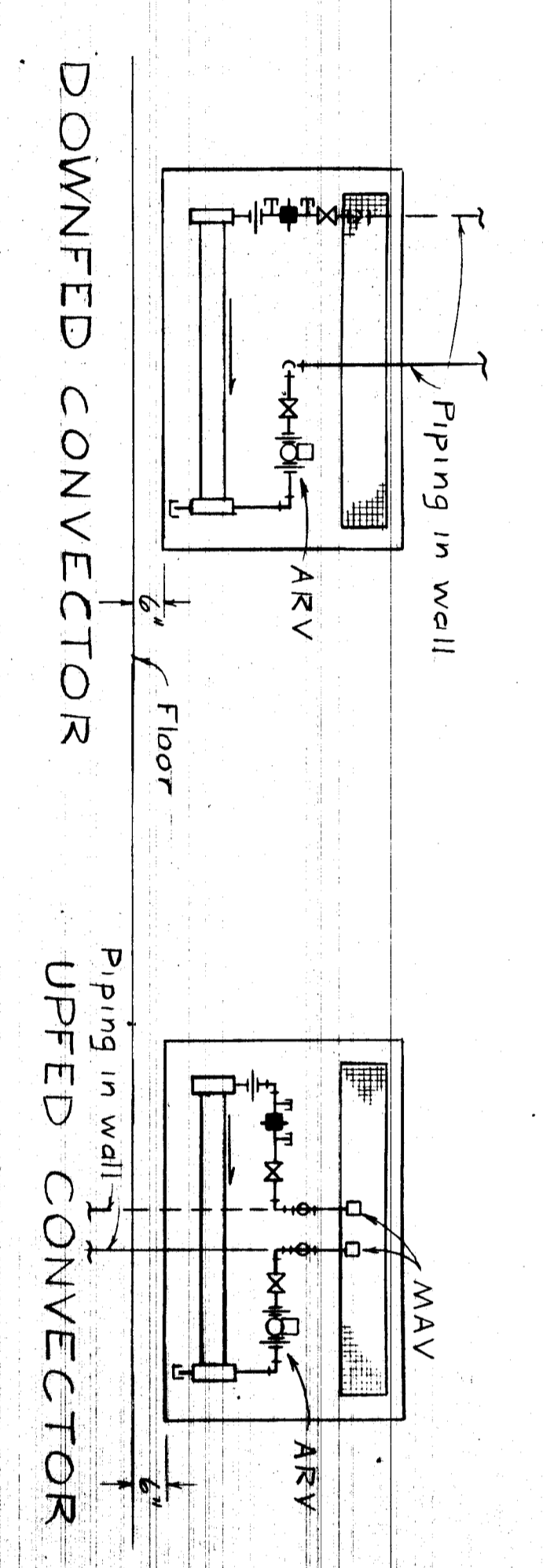
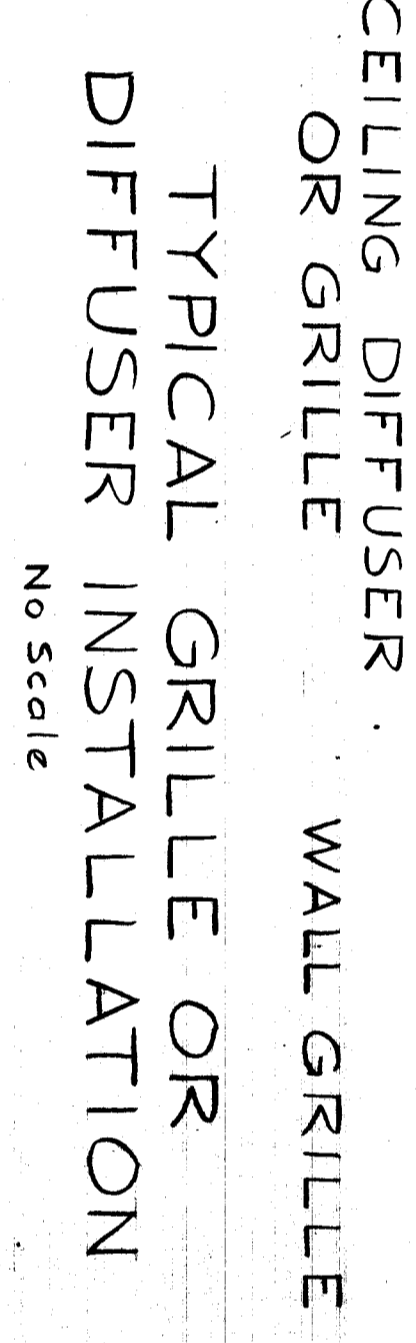
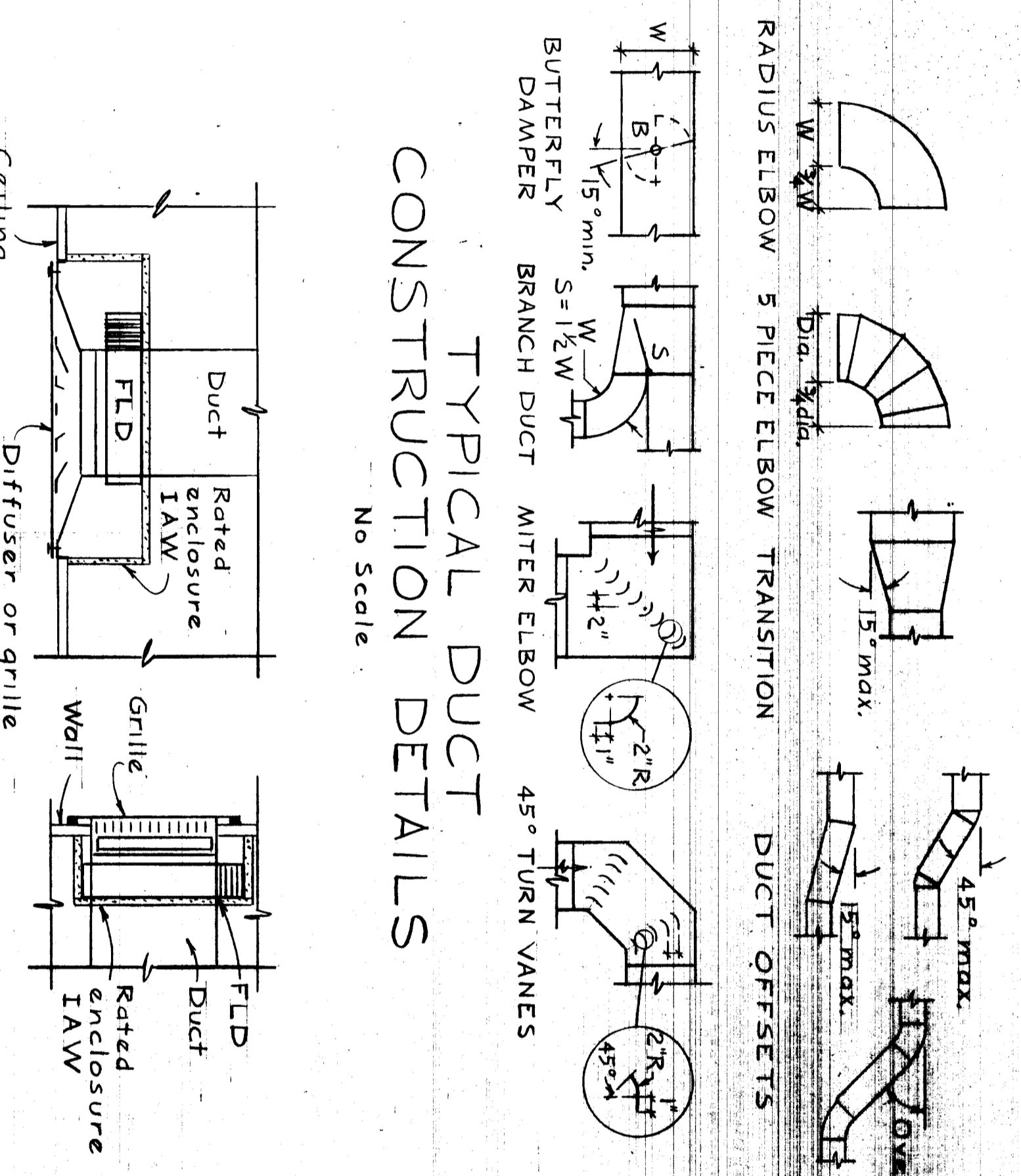


SECTION E-E  
1/2" = 1'-0"



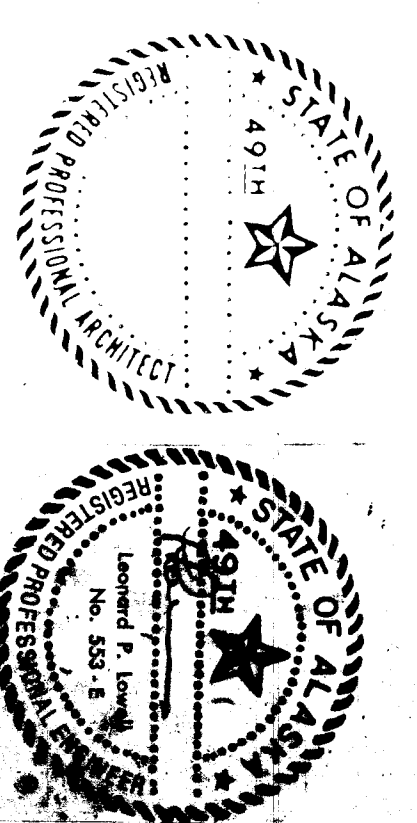
SECTION F-F  
1/2" = 1'-0"

DESIGN	SYSTEM SERVED	LOCATION	DAMPER SIZE (INCHES)
OAD-1	SF-1	MECH. RM. III	36 x 48
OAD-2	SF-1	MECH. RM. III	36 x 12
RAD-1	SF-1	MECH. RM. III	66 x 30
EAD-1	SF-2	MECH. RM. III	66 x 30
EAD-2	RF-2	FAN RM. 238	12 x 18
RAD-2	RF-2	FAN RM. 238	12 x 18
EAD-3	RF-3	FAN RM. 238	12 x 18
RAD-3	RF-3	FAN RM. 238	12 x 18
OAD-4	SF-2	MECH. RM. 218	36 x 48
OAD-5	SF-2	MECH. RM. 218	12 x 36
EAD-4	SF-2	MECH. RM. 218	72 x 18
EAD-5	RF-5	FAN RM. 238	12 x 18
RAD-5	RF-5	FAN RM. 238	12 x 18
EAD-6	RF-6	FAN RM. 238	12 x 18
RAD-6	RF-6	FAN RM. 238	12 x 18
EAD-7	RF-7	FAN RM. 238	12 x 6
RAD-7	RF-7	FAN RM. 238	12 x 6
EAD-8	EF-8	MECH. RM. III	18 x 12
RAD-8	EF-2	MECH. RM. III	12 x 12
RAD-9	EF-4	FOOD 103	12 x 12
OAD-6	KLN	KLN 131	18 x 12
OAD-10	EMERG. GENERATOR	MECH. RM. III	30 x 24
RAD-10	EMERG. GENERATOR	MECH. RM. III	24 x 30
EAD-10	EMERG. GENERATOR	MECH. RM. III	30 x 24



NO.	UNIT SERVED	LOCATION	DESIGN SCHEDULE	FLOW SETTER
1	H.W. EAST	MECH. RM. III	2.00	3/4
2	H.W. WEST	MECH. RM. III	2.10	2
3	H.C. 1	MECH. RM. III	24.10	2
4	H.C. 2 & B.C. 5	MECH. RM. III	60.2.0	3
5	BUILDING RADIATION	MECH. RM. III	48.1.2	3
6	RADIATION, EAST	MECH. RM. III	33.7.8	2.2
7	RADIATION, WEST	MECH. RM. III	14.2.4	2
8	H.W. HEATER	MECH. RM. III	16.8.0	2
9	UH-1	MECH. RM. III	16.8.0	2
10	CUH-2	STORAGE 102	1.6.0	3/4
11	CUH-1	COMMONS 104	1.11	1/4
12	FP-1	VESTIBULE 105	4.20	1/2
13	CV	VIEWING 106	2.31	1/2
14	FP-1	LIBRARY 107	0.26	1/2
15	FP-1	LIBRARY 107	0.55	1/2
16	CV	STORAGE 109	0.86	1/2
17	CV	AV. 110	0.44	3/4
18	FP-1	CORRIDOR 113	1.45	1/4
19	BC-1	CORRIDOR 113	2.86	1/4
20	BC-2	CORRIDOR 113	4.62	1/4
21	BC-3	CORRIDOR 113	2.64	1/4
22	FP-1	CONF. 115	1.23	1/2
23	FP-1	24. ED. 114	0.10	1/2
24	CV	TIME OUT 116	0.10	1/2
25	FP-2	TIME OUT 117	1.10	1/2
26	CV	CONF. 119	1.43	3/4
27	FP-2	CONF. 119	0.30	1/2
28	CV	C.R. 120	1.69	3/4
29	FP-2	EST 121	0.18	1/2
30	CV	SEC. 122	0.54	1/2
31	FP-2	OFFICE 123	0.15	1/2
32	CV	CONF. 127	3.30	1/4
33	BC-4	STORAGE 128	1.28	1/4
34	FP-1	ART 129	1.44	1/2
35	FP-1	DUST 130	0.56	3/4
36	CV	KLN 131	1.00	3/4
37	FP-2	STORAGE 135	2.31	1/2
38	CV	SEC. 202	0.20	3/4
39	FP-1	OFFICE 203	1.07	3/4
40	BC-6	SICK 206	1.34	1/2
41	BC-7	SICK 206	0.31	1/2
42	CV	WORK 207	2.05	1/2
43	FP-2	LOUNGE 208	2.05	1/2
44	CV	OFFICE 210	0.25	1/2
45	FP-1	STORAGE 212	0.40	1/2
46	FP-1	RECEIPT 216	0.50	1/2
47	FP-1	CONF. 216	0.39	1/2
48	FP-1	CONF. 217	0.43	2 1/2
49	HC-2	MECH. RM. 218	36.20	1/2
50	BC-5	CORRIDOR 219	2.42	1/2
51	CV	CORRIDOR 219	0.57	1/2
52	CV	CORRIDOR 219	0.57	1/2
53	CV	SCIENCE 220	1.30	1/2
54	CV	SCIENCE 221	0.25	1/2
55	CV	SCIENCE 222	1.50	1/2
56	FP-1	C.R. 223	1.55	3/4
57	FP-2	C.R. 223	1.73	3/4
58	CV	WORK 225	0.25	1/2
59	CV	DARKROOM	0.25	1/2
60	CV	GIRLS 230	1.94	1/2
61	CV	GIRLS 232	0.34	1/2
62	FP-2	C.R. 236	2.14	1
63	CV	STAIR 125	2.14	1
64	BC-8	FAN ROOM 238	0.90	1/2
65	BC-9	FAN ROOM 238	3.52	1/2
66	BC-10	FAN ROOM 238	1.10	3/4
67	BC-10	FAN ROOM 238	2.97	3/4





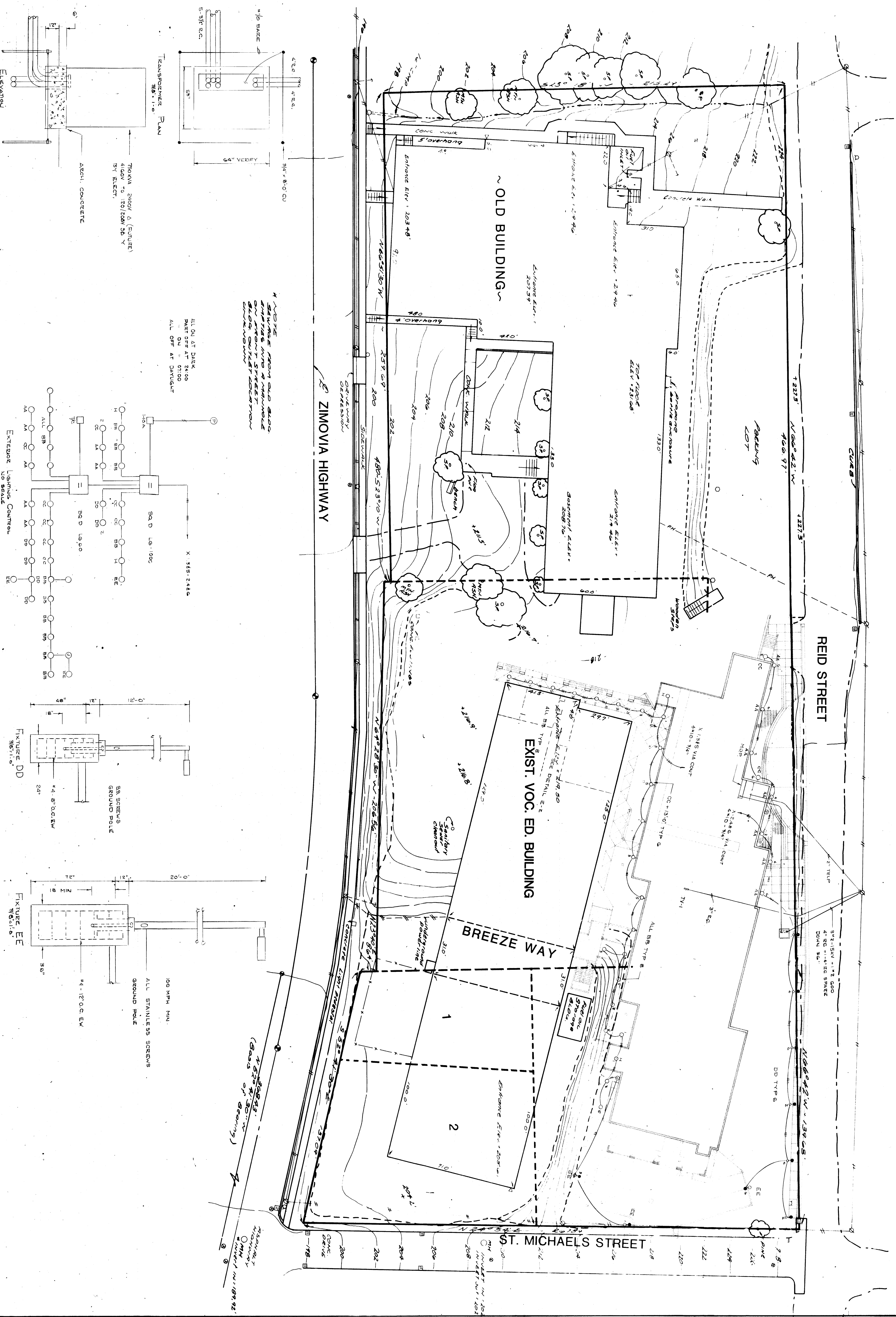
**WRANGELL  
HIGH SCHOOL**

JOB NO.: 349  
DRAWN BY:  
TITLE:  
**Site Lighting**

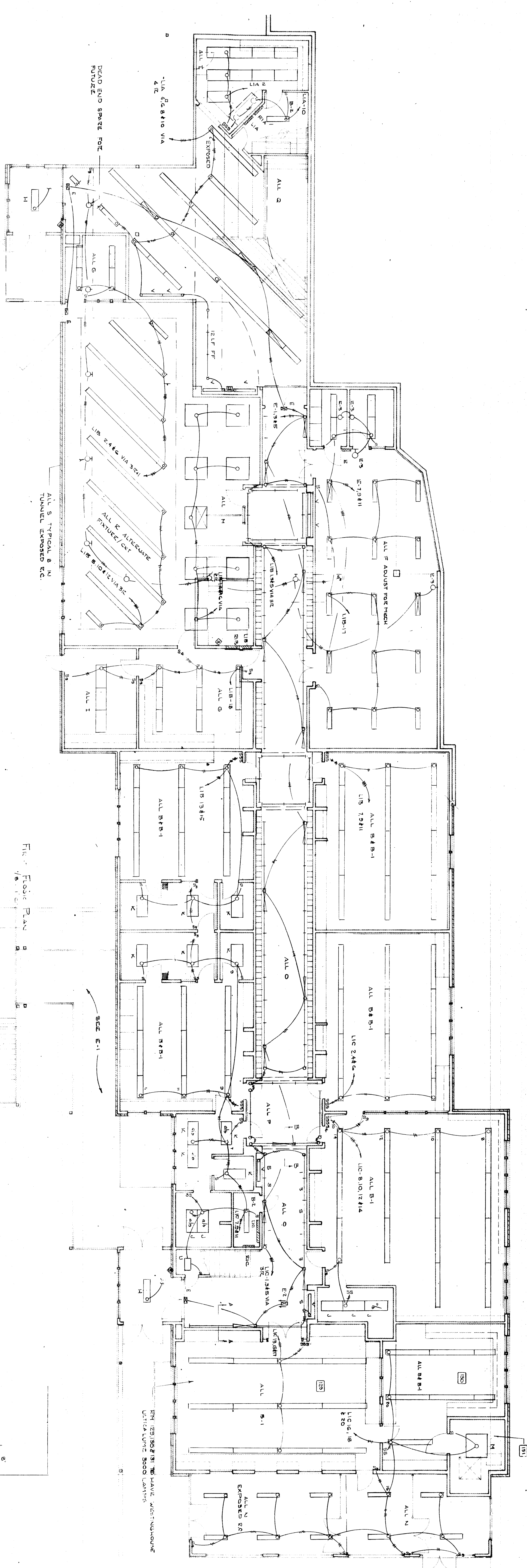
SHEET NO.:

E-1

DATE: June 15, 1984

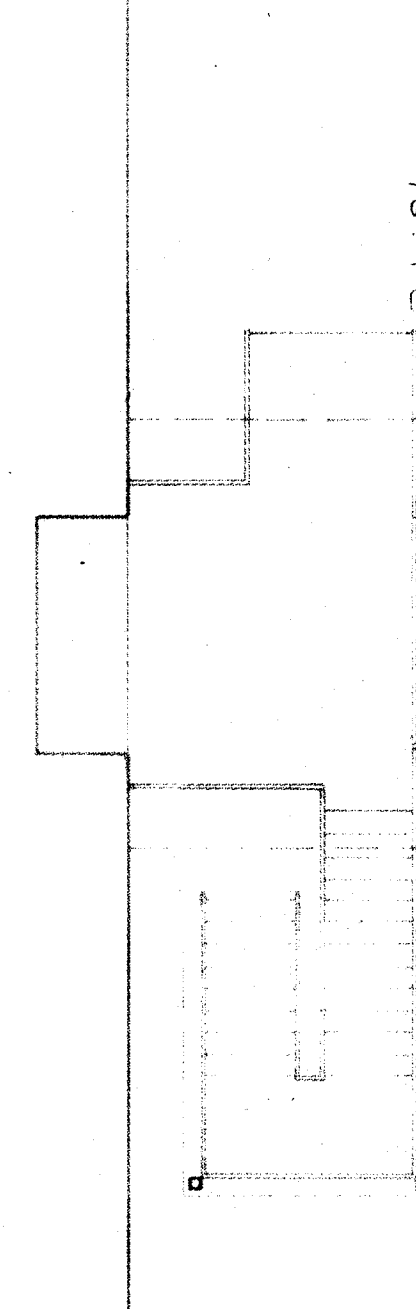


SHEET

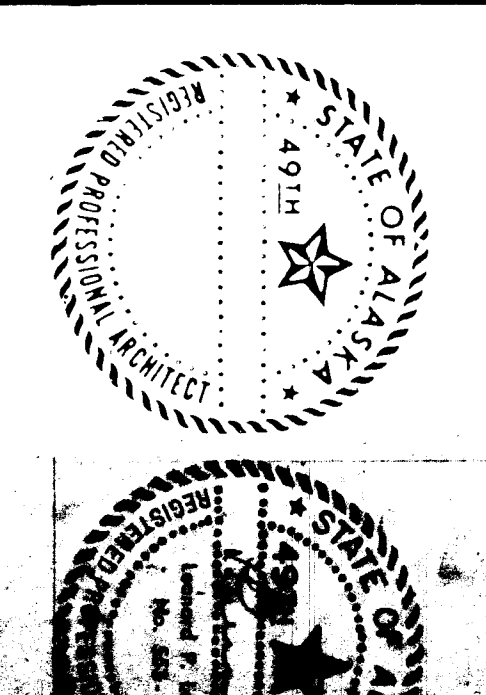


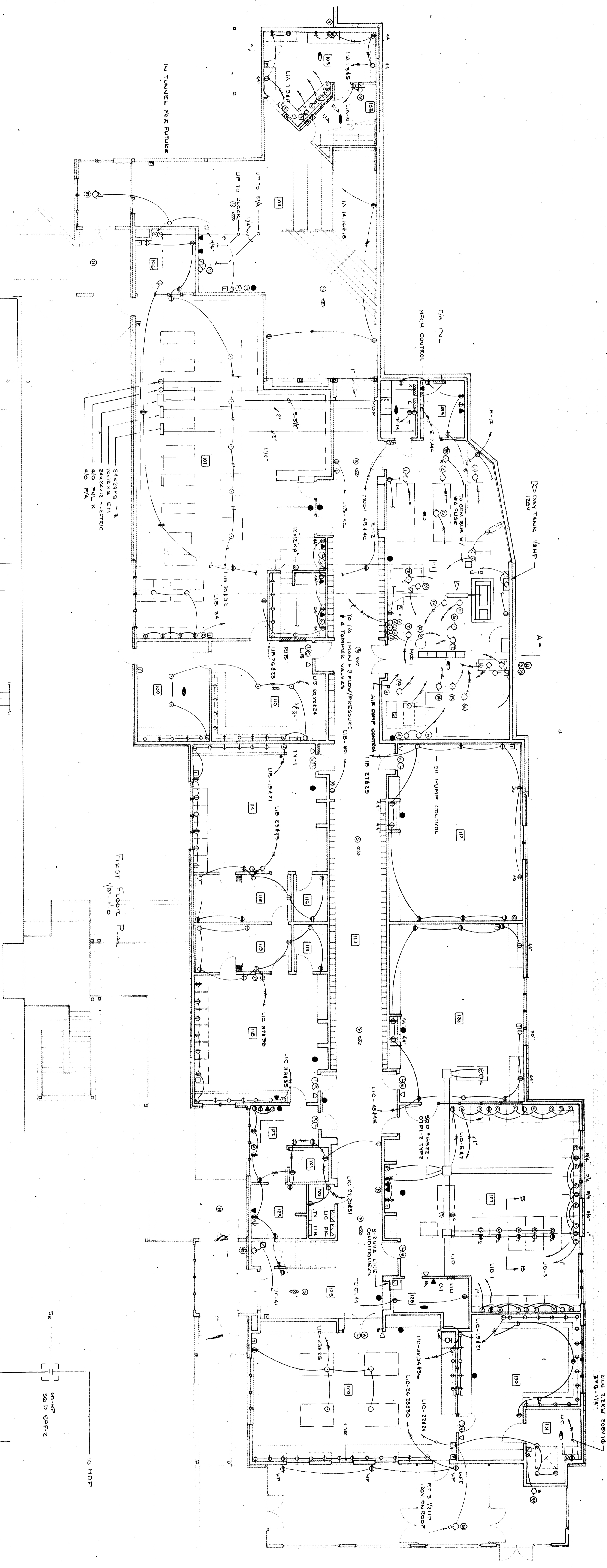
FIXTURE SCHEDULE

TYPE	QTY	DESCRIPTION	REMARKS
A	1	LP1	CEILING
B	1	LP1	STEM TO 9'0"
B1	1	LP1	STEM TO 9'0"
B2	1	LP1	STEM TO 9'0"
C	1	LP1	STEM TO 9'0"
D	1	LP1	STEM TO 9'0"
E1	1	LP1	STEM TO 9'0"
E2	1	LP1	STEM TO 9'0"
E3	1	LP1	STEM TO 9'0"
F	1	LP1	STEM TO 9'0"
G	1	LP1	STEM TO 9'0"
H	1	LP1	STEM TO 9'0"
I	1	LP1	STEM TO 9'0"
J	1	LP1	STEM TO 9'0"
K	1	LP1	STEM TO 9'0"
L	1	LP1	STEM TO 9'0"
M	1	LP1	STEM TO 9'0"
N1	1	LP1	STEM TO 9'0"
O	1	LP1	STEM TO 9'0"
P	1	LP1	STEM TO 9'0"
Q	1	LP1	STEM TO 9'0"
R	1	LP1	STEM TO 9'0"
S	1	LP1	STEM TO 9'0"
T	1	LP1	STEM TO 9'0"
U	1	LP1	STEM TO 9'0"
V	1	LP1	STEM TO 9'0"
W	1	LP1	STEM TO 9'0"
X	1	LP1	STEM TO 9'0"
Y	1	LP1	STEM TO 9'0"
Z	1	LP1	STEM TO 9'0"
AA	1	LP1	STEM TO 9'0"
BB	1	LP1	STEM TO 9'0"
CC	1	LP1	STEM TO 9'0"
DD	1	LP1	STEM TO 9'0"
EE	1	LP1	STEM TO 9'0"
FF	1	LP1	STEM TO 9'0"
GG	1	LP1	STEM TO 9'0"



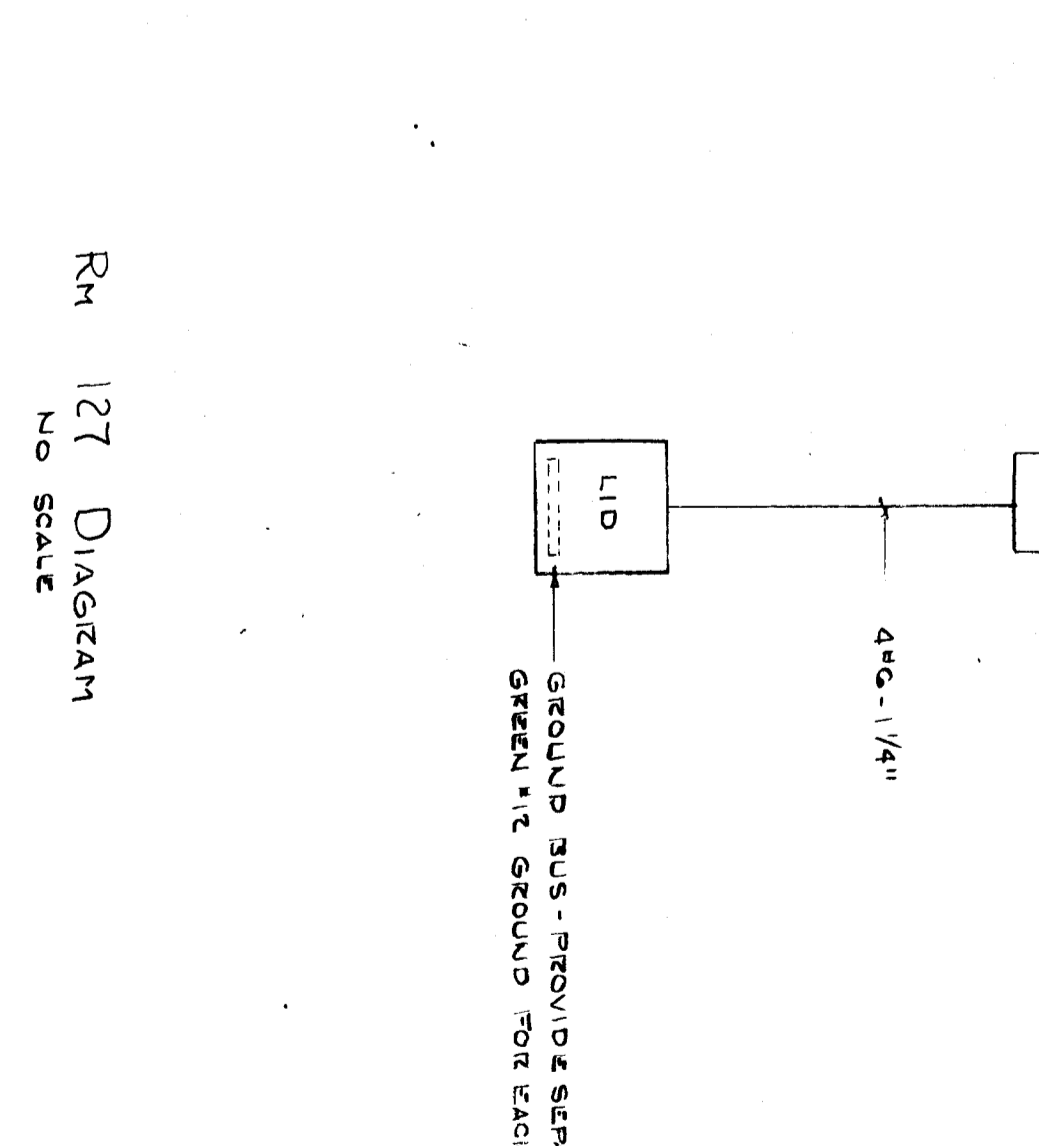
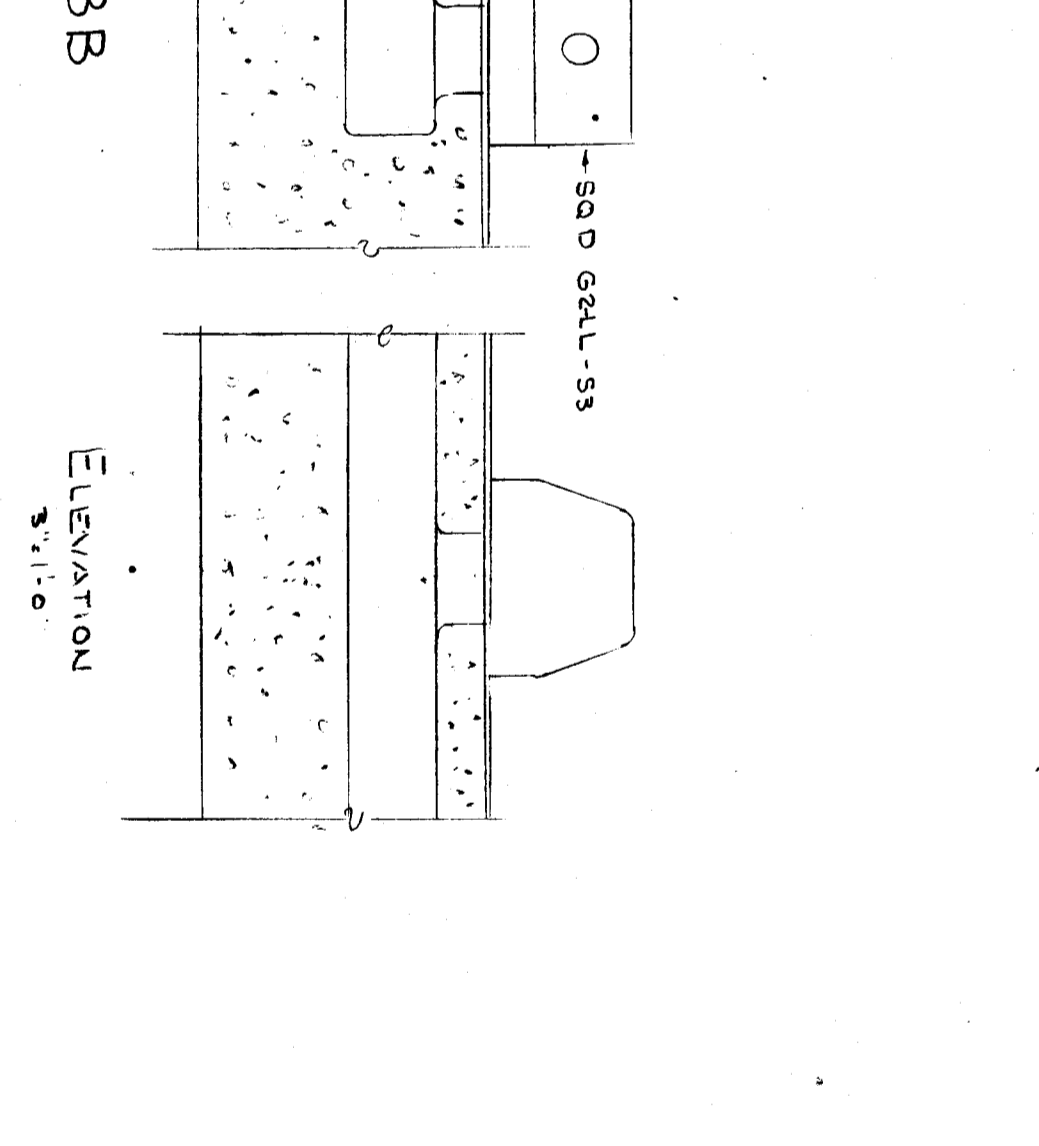
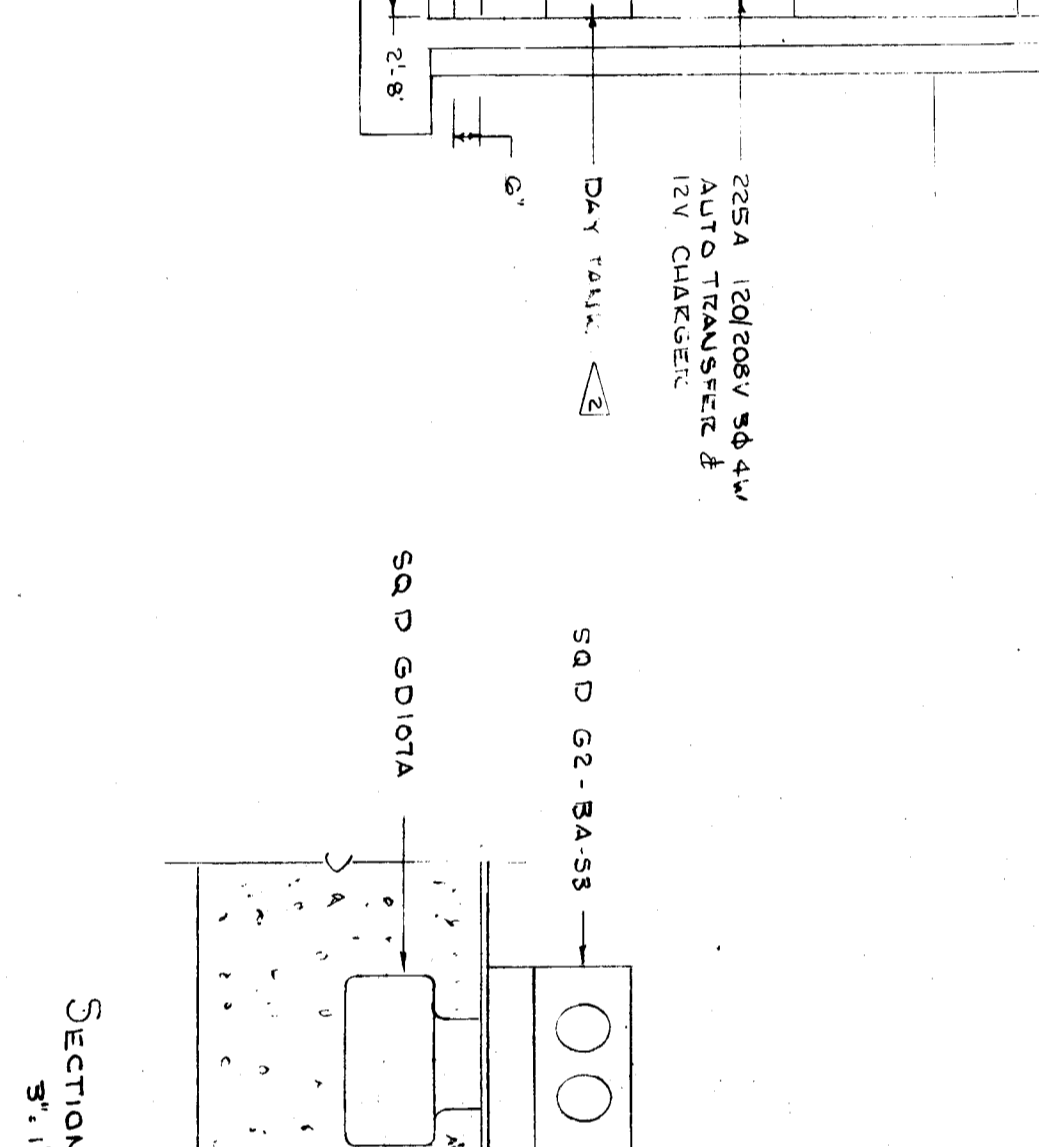
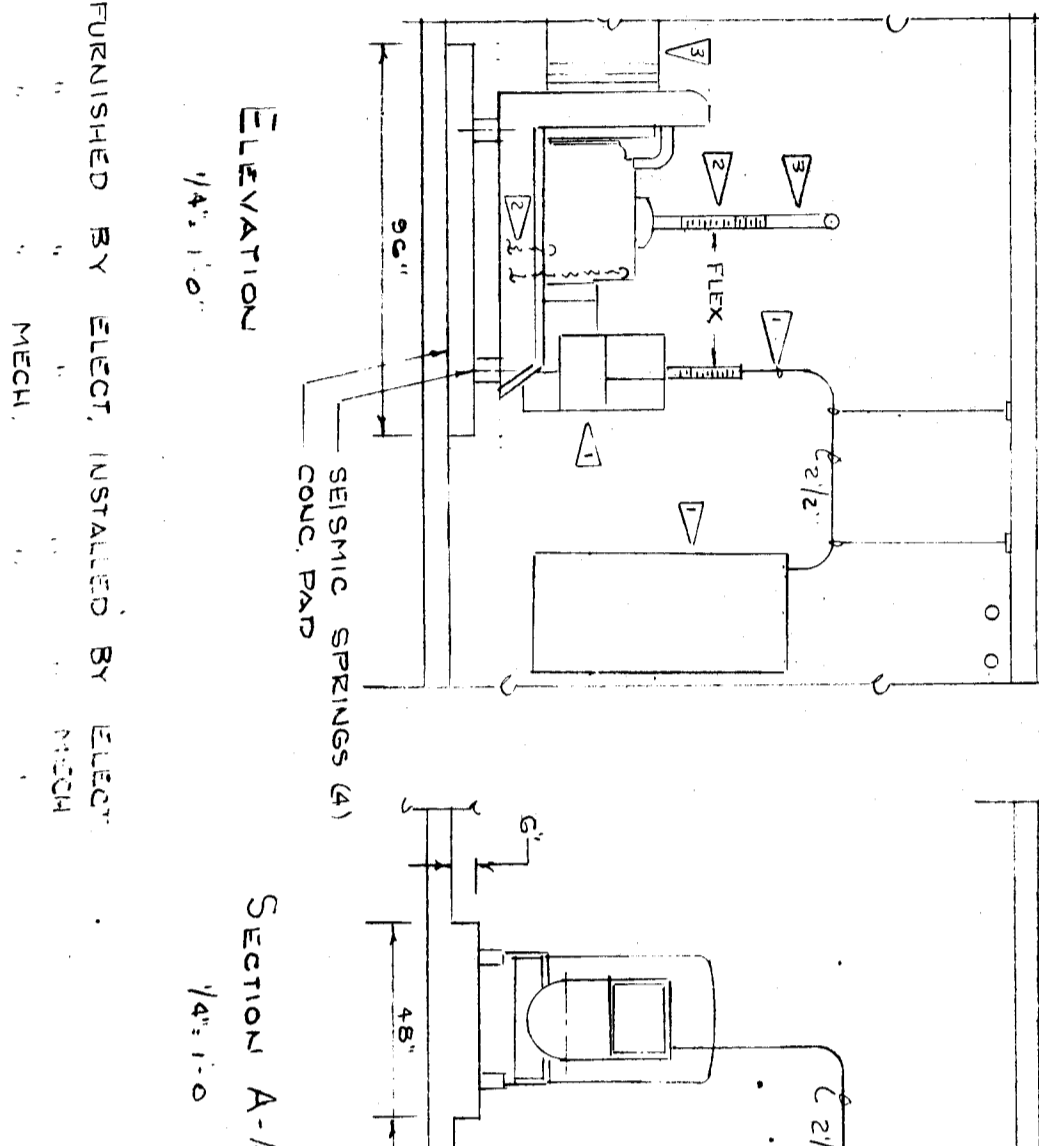
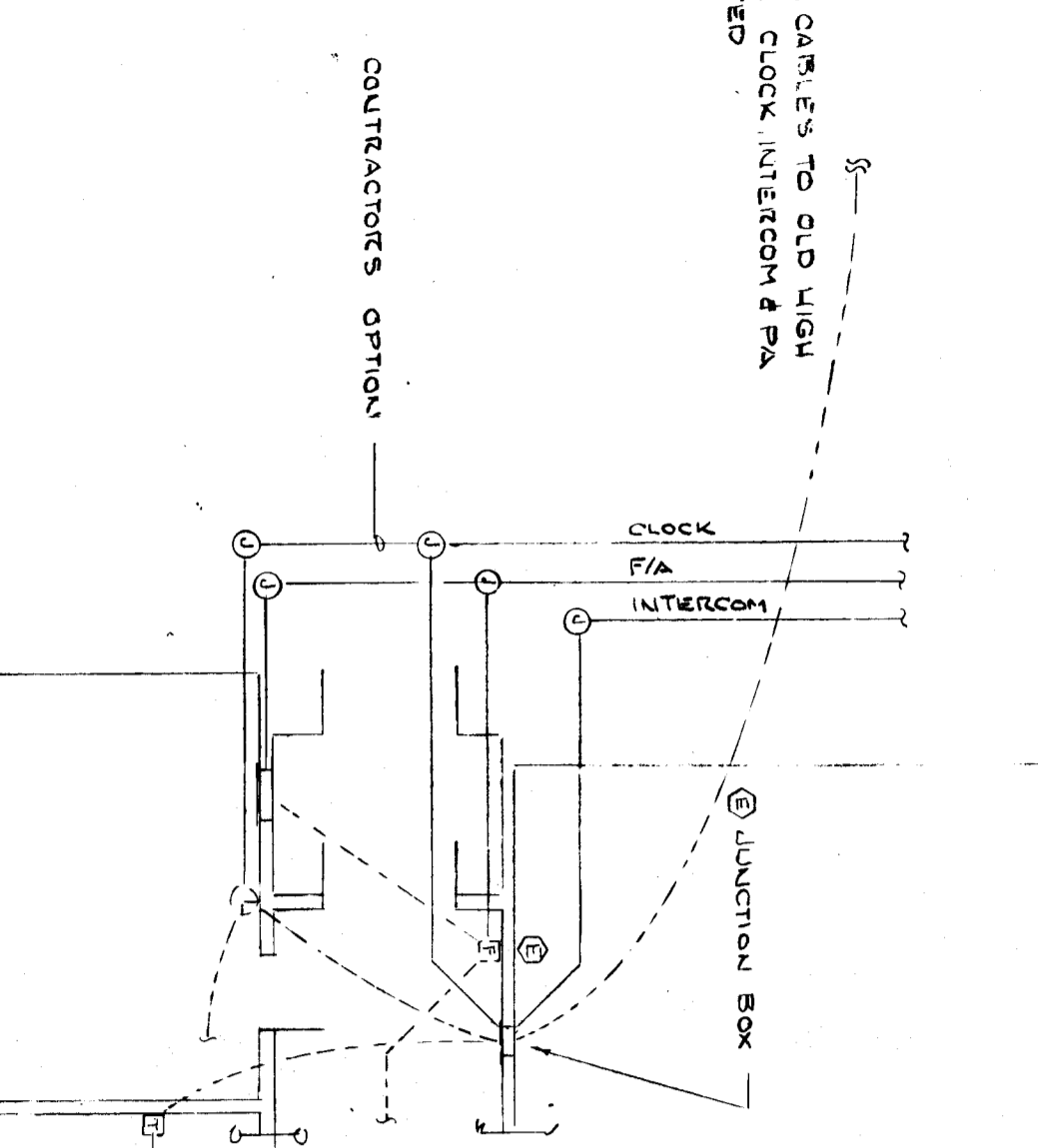
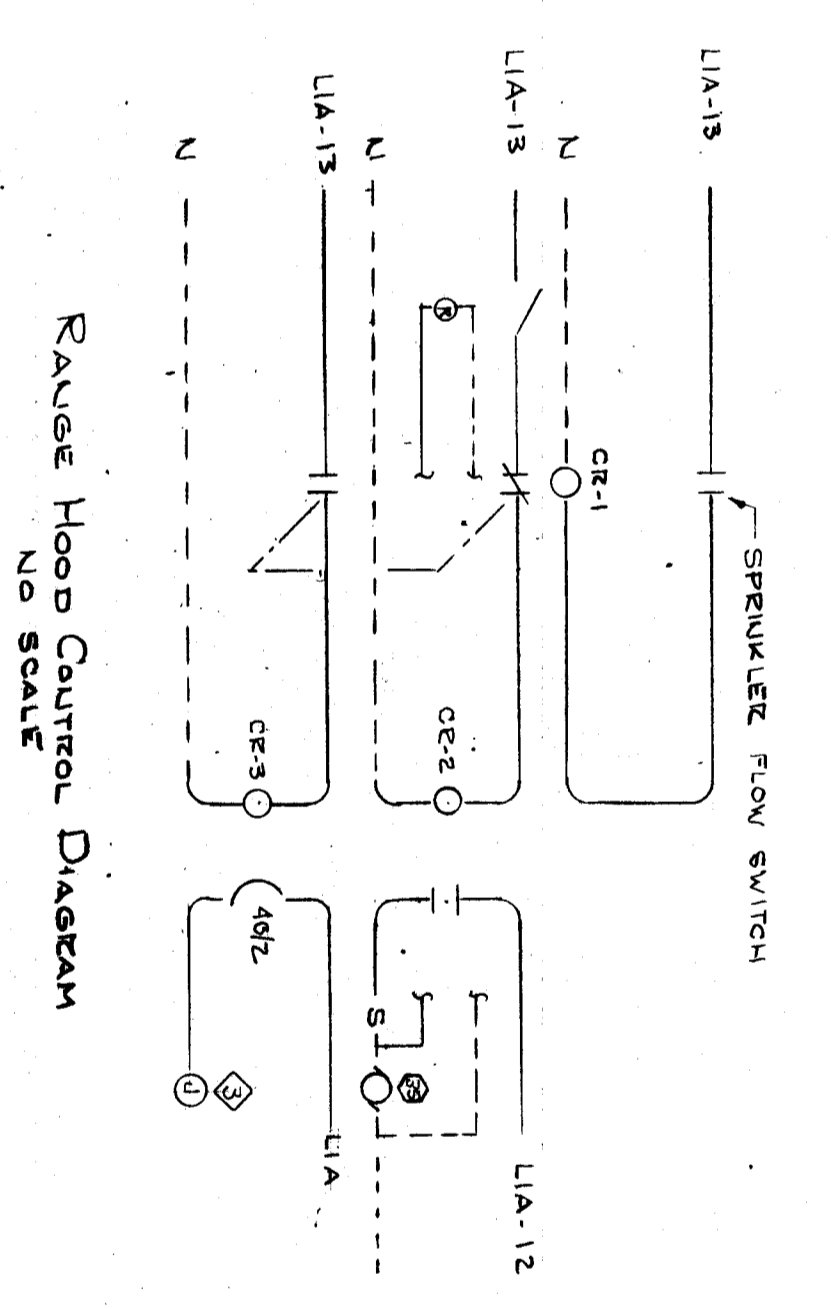
- SYMBOLS**
- FLUORESCENT FIXTURE SEE SCHEDULE
  - (EMERGENCY)
  - WALL
  - SWITCH LOW VOLTAGE SEC SCHEDULE
  - DIMMER + B
  - POWER OUTLET SIZE NOTED
  - WIREMOUTH + 208580
  - JUNCTION
  - MOTOR
  - DISCONNECT
  - MANUAL STARTER BY OTHERS - NOT BY ELECT
  - MAGNETIC CONTACTOR
  - CLOCK
  - SPEAKER
  - TELEPHONE INTERCOM SINGLE DIAL
  - TELEVISION OUTLET
  - COMPUTER
  - FIRE ALARM STATION
  - HORN
  - HEAT DETECTOR
  - SMOKE
  - DUCT
  - DOOR RELEASE BY OTHERS - NOT BY ELECT
  - PROGRAMMABLE
  - FLOOR OUTLET
  - THREE SWITCH BY OTHERS - NOT BY ELECT





EQUIPMENT SCHEDULE

NO	ITEM	AMP	KVA	V	Φ	W	C	C.B.	REMARKS
1	HOT PLATE	S-2	10000A	3	3" x 8"	1	1/4"	40L	
2	GRIDDLE	6-0	10000B	3	6" x 6"	1	1/4"	50L	
3	FRYER	5-1	12000B	1	3" x 8"	1	1/4"	40L	SHUNT TAP
4	DISHWASHER	10-0	12000B	1	3" x 12"	1	1/4"	50L	



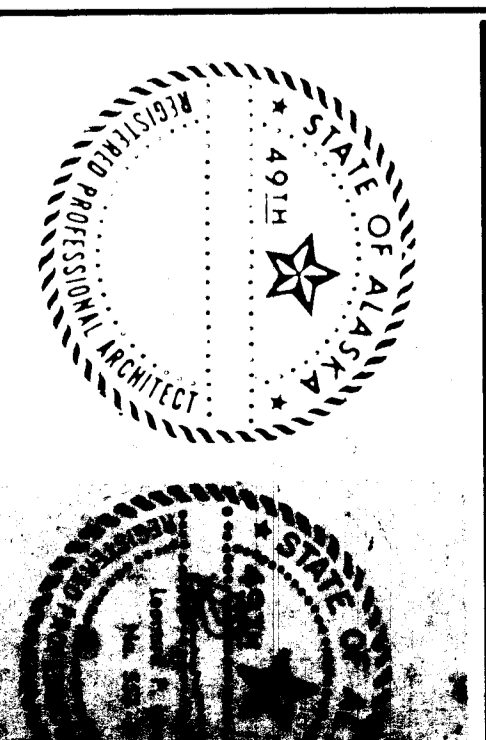
WRANGELL  
HIGH SCHOOL

JOB NO. : 349  
DRAWN BY :

TITLE :  
**First Floor Power**

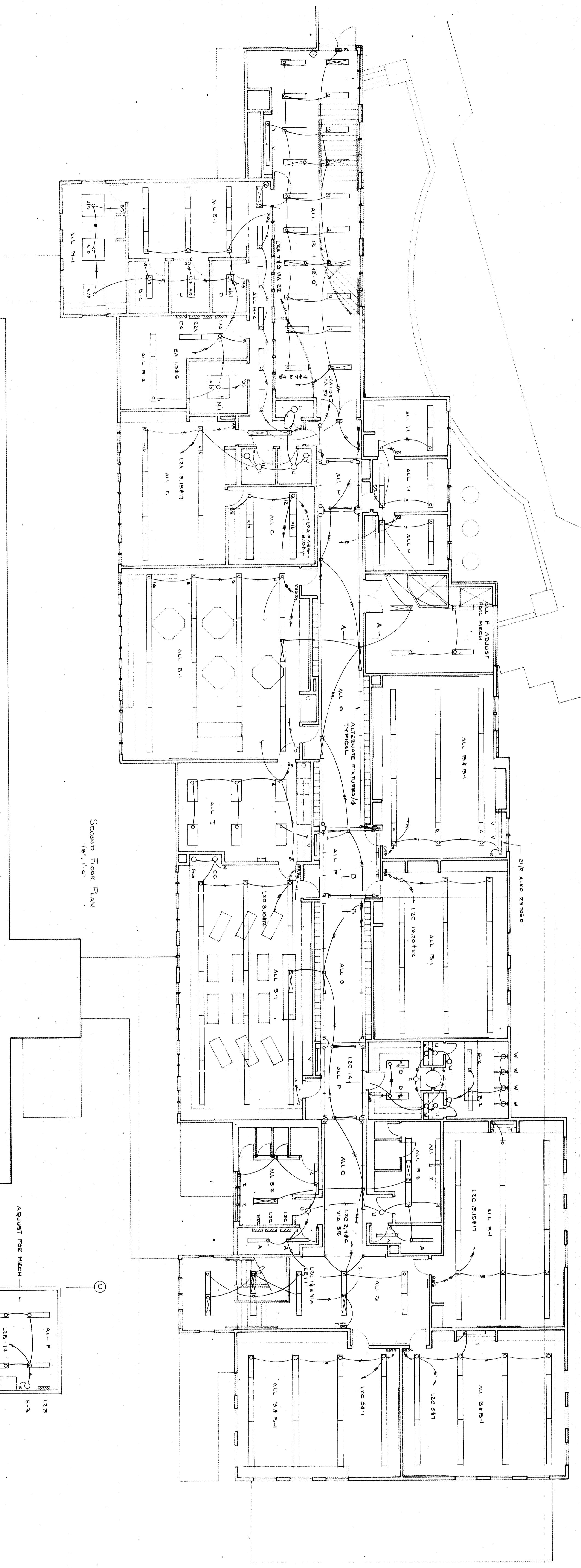
SHEET NO. :  
**E-3**

DATE : June 15, 1984



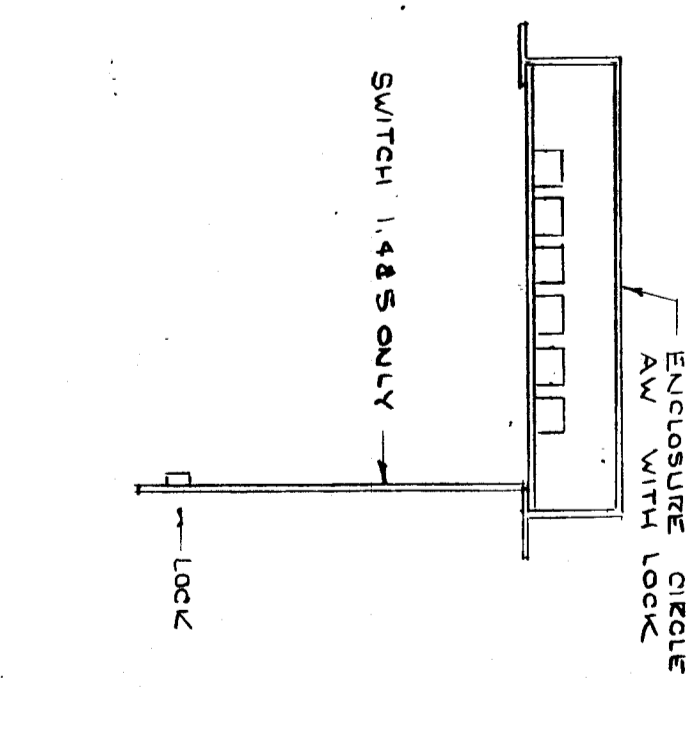
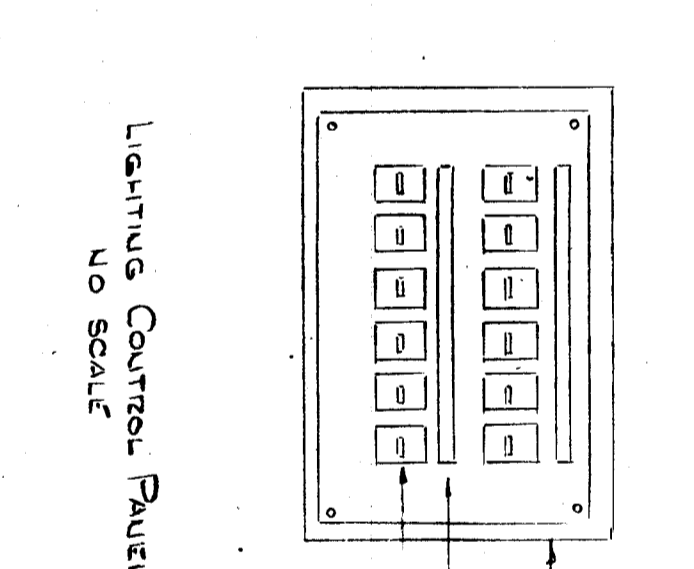
**ackley  
jensen**  
architects inc

P.O. box 310, Juneau, Alaska, 99802



RELAY SCHEDULE					
SW	SW	SW	SW	SW	REMARKS
1	1	1	1	1	1
2	2	2	2	2	2
3	3	3	3	3	3
4	4	4	4	4	4
5	5	5	5	5	5
6	6	6	6	6	6
7	7	7	7	7	7
8	8	8	8	8	8

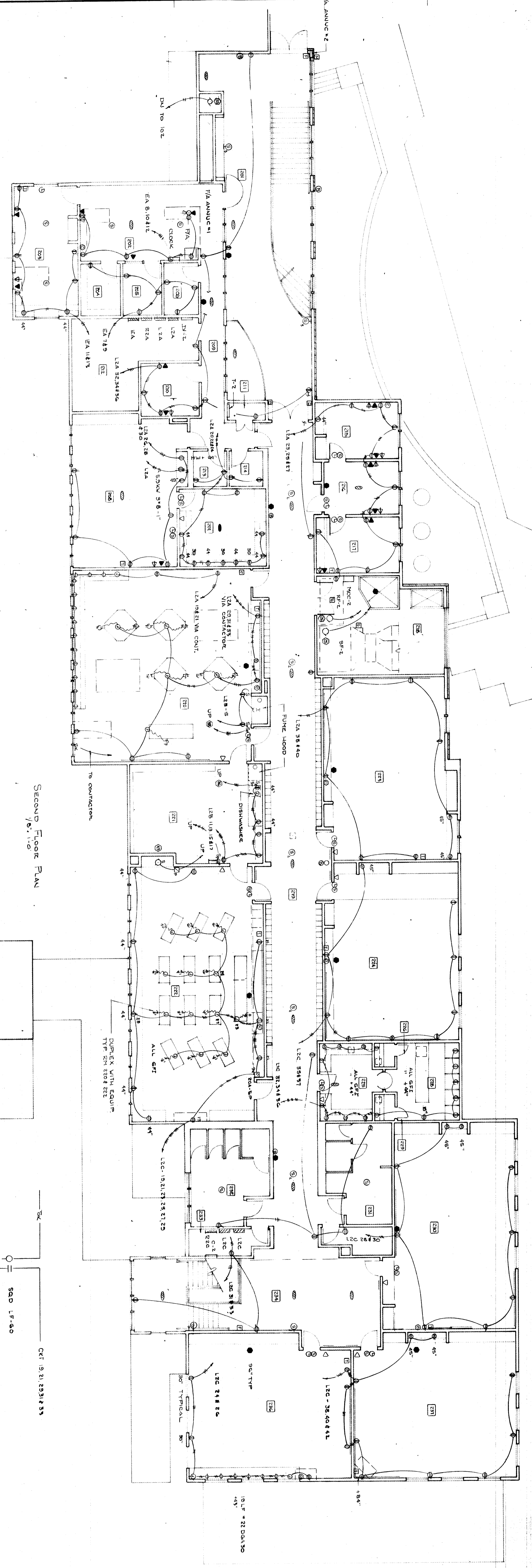
RELAY SCHEDULE					
ITEM	NO	QTY	REMARKS		
RIA	4	1	MATERIAL IN 1314		
RIA	11	6			
RIA	3	1			
RIA	5	1			
RIA	5	1			
RIA	5	1			
RIA	5	1			



**WRANGELL HIGH SCHOOL**

JOB NO.: 349  
 DRAWN BY:  
 TITLE: **Second Floor Lighting**

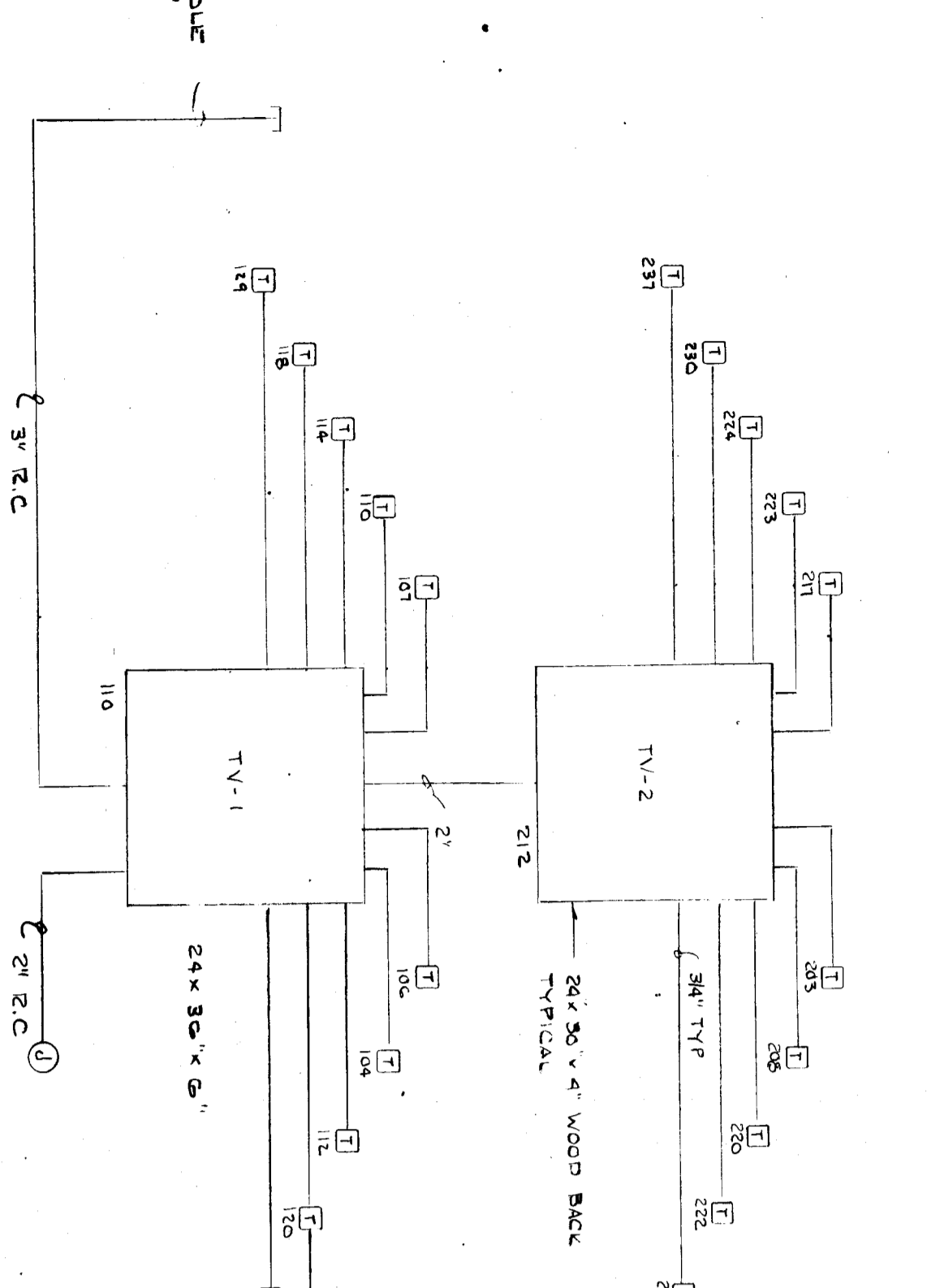
SHEET NO.: **E-4**  
 DATE: June 15, 1984



Second Floor Plan  
1/8" = 1'-0"



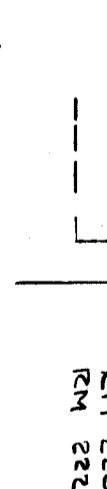
Clock Diagram  
1/8" Scale



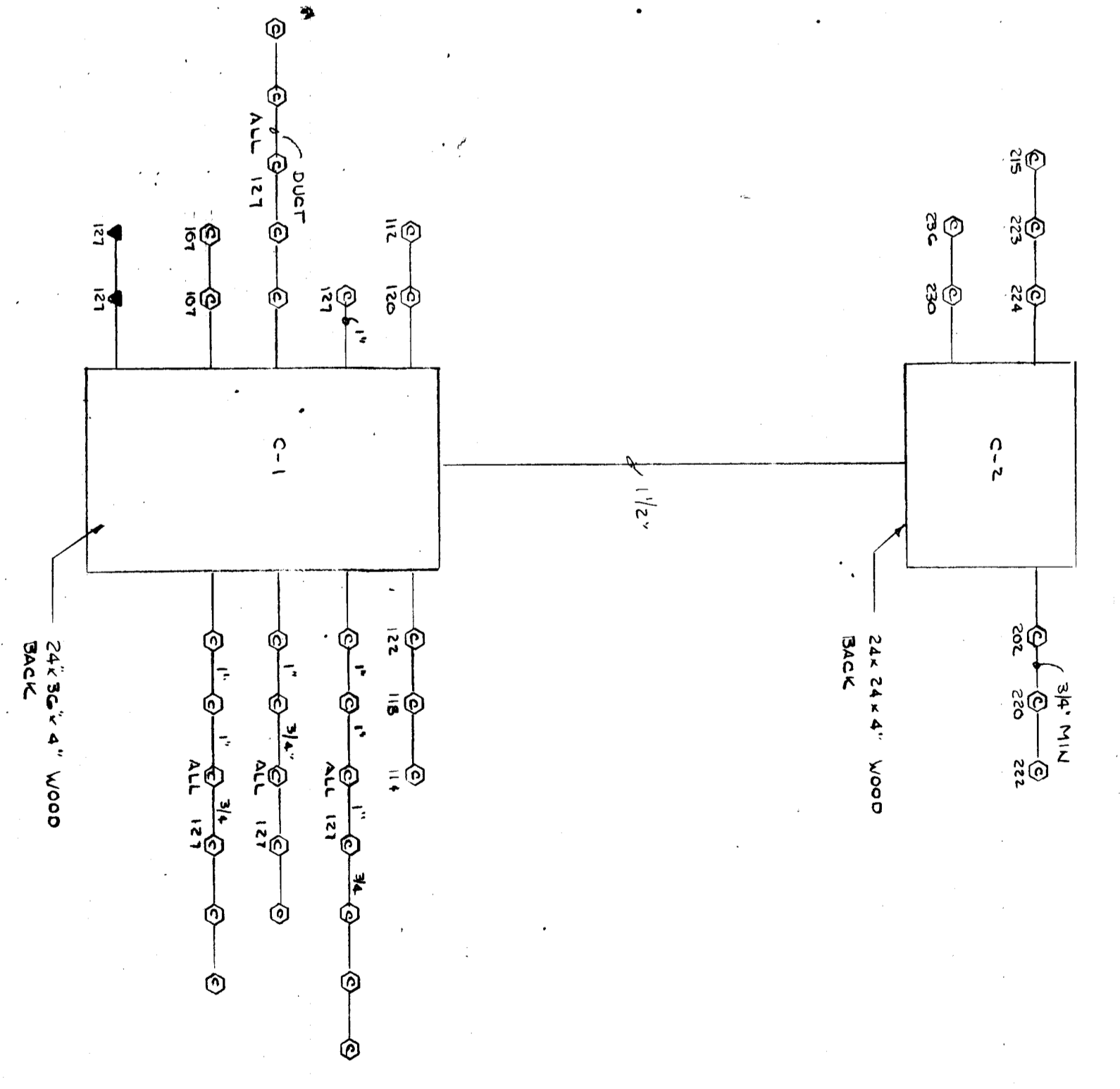
TV Diagram  
1/8" Scale



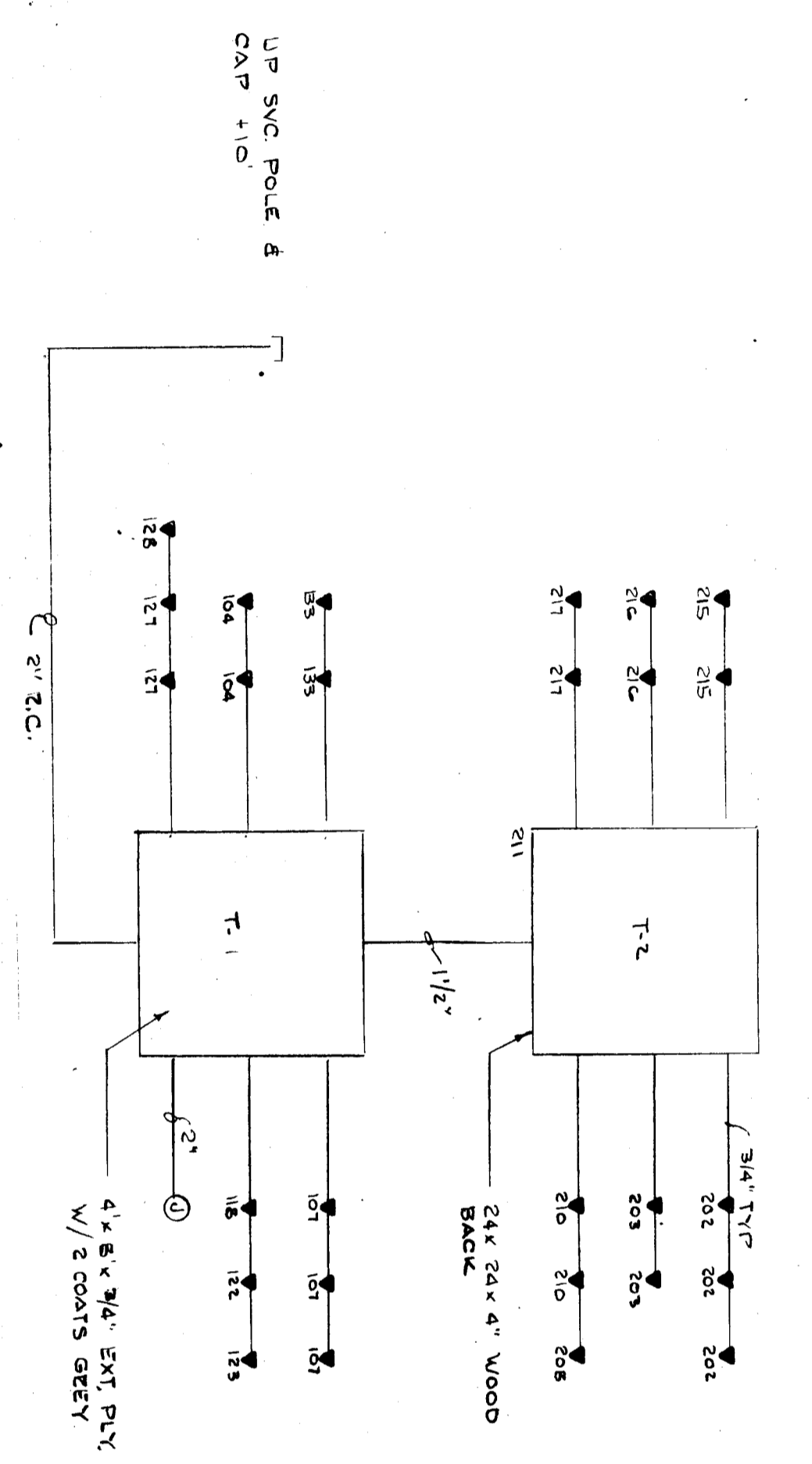
FAN ROOM PLAN  
1/8" = 1'-0"



COUNTER DIAGRAM  
1/8" Scale



COMPUTER DIAGRAM  
1/8" Scale



TELEPHONE DIAGRAM  
1/8" Scale

SHEET
TL

